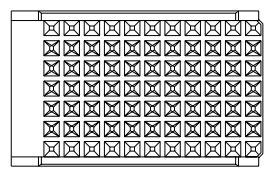
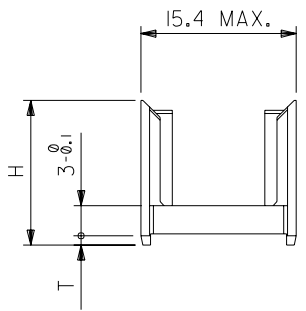
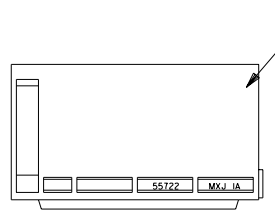
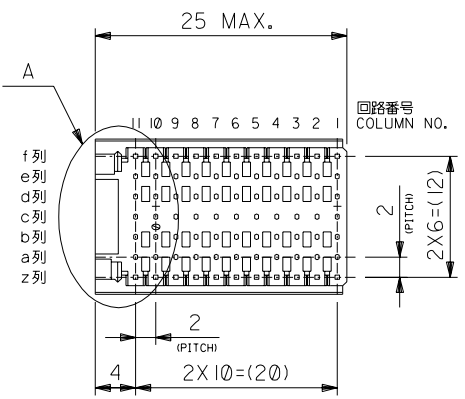


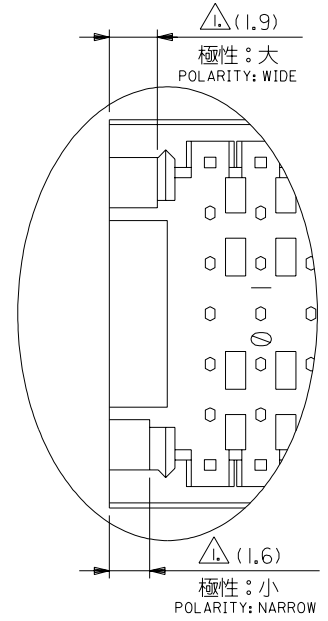
DWG. NO. SD-55722-002

列番号
ROW NO.

f 列
e 列
d 列
c 列
b 列
a 列
z 列



番号 NO.	部品 PART NAME	材質 MATERIAL	仕上げ FINISH
①	シュラウド SHROUD	液晶ポリマー、ミネラル強化、自然色(白)、UL94V-0 LCP, MINERAL-REFINFORCED, NATURAL(WHITE), UL94V-0	—#—



注記
NOTE

△ コネクタ嵌合極性部の実装向きは注意のこと。
BE CAREFUL THE DIRECTION OF THE POLARITY PARTS.

DETAIL A (SCALE: 5-1)
(コネクタ嵌合極性部拡大図)

15.35	1.9	2.6 ~ 5.6	55722-0556	55
15.15	1.7	2.8 ~ 5.6	55722-0555	55
14.95	1.5	3.0 ~ 5.6	55722-0554	55
14.75	1.3	3.2 ~ 5.6	55722-0553	55
14.55	1.1	3.4 ~ 5.6	55722-0552	55
14.35	0.9	3.6 ~ 5.6	55722-0551	55
13.45	0	4.5 ~ 5.6	55722-0550	55
H	T	適合基板厚 (mm) APPLICABLE PCB THICKNESS	MATERIAL NO.	極数 PIN

DO NOT SCALE DRAWING

EC NO. DRWN: CHK: APPR:	EC NO. DRWN: CHK: APPR:	REVISED EC NO. J2002-0173 DRWN: S. ANDO '02/05/01 CHK: A. NODA '02/05/01 APPR: A. NODA '02/05/01	REVISED EC NO. JD2001-1751 DRWN: S. ANDO '01/07/24 CHK: A. NODA '01/07/24 APPR: A. NODA '01/07/24	RELEASED EC NO. JD2001-1400 DRWN: S. ANDO '01/03/06 CHK: A. NODA '01/03/06 APPR: A. IKESUGI '01/03/06	MATERIAL 材料 SEE CHART	FINISH 仕上げ SEE CHART	WIRE RANGE 適用電線範囲 —#—	INS. RANGE 被覆外径 —#—	GENERAL TOLERANCES: (UNLESS SPECIFIED) 一般公差 10 UNDER 未滿 ±0.2 10 OVER 以上 30 UNDER 未滿 ±0.25 30 OVER 以上 ±0.3	SCALE 2-1 DESIGN UNITS <input checked="" type="checkbox"/> mm <input type="checkbox"/> INCH	THIRD ANGLE PROJECTION <input checked="" type="checkbox"/> mm ONLY	DIMENSIONS: <input type="checkbox"/> mm <input type="checkbox"/> INCH	SHT REVISE ON CAD ONLY	TITLE: "MZP" B/B CONN. SHROUD TYPE C STANDARD POLARITY	MATERIAL NO. DRAWING NO. SD-55722-002	SHEET NO. 1 OF 1
B	A	0							ANGLE 角度 ±3°	MOLEX MOLEX INCORPORATED				THIS DRAWING CONTAINS INFORMATION THAT IS PROPRIETARY TO MOLEX INCORPORATED AND SHOULD NOT BE USED WITHOUT WRITTEN PERMISSION.	SIZE B	