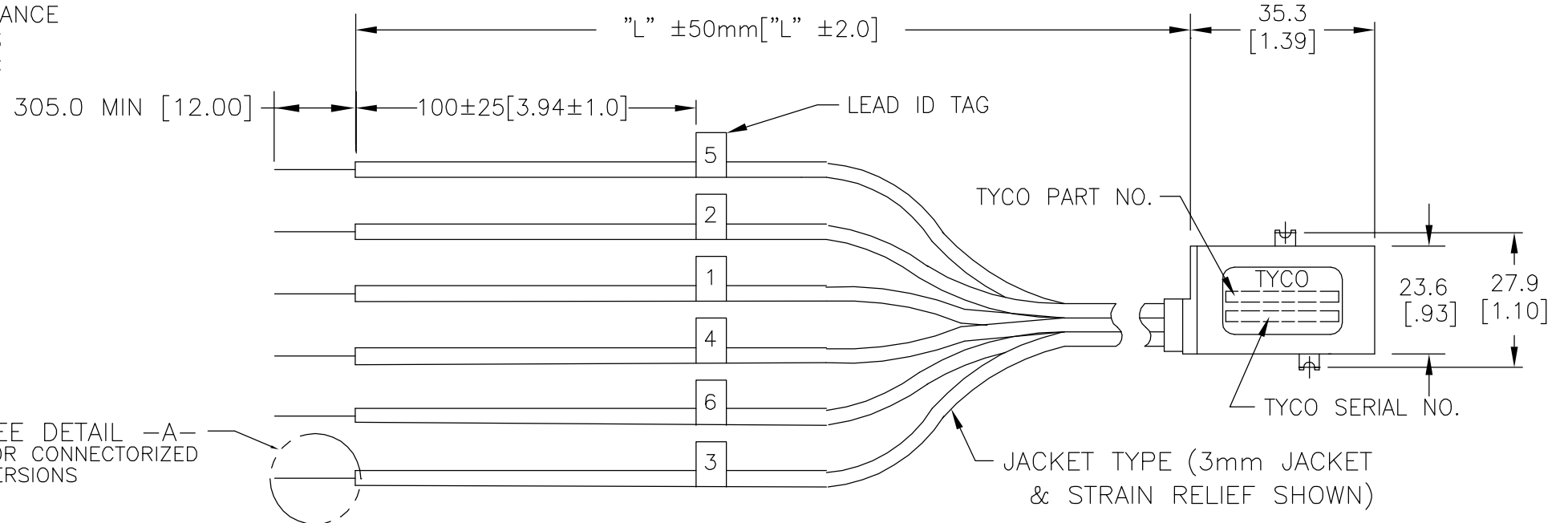
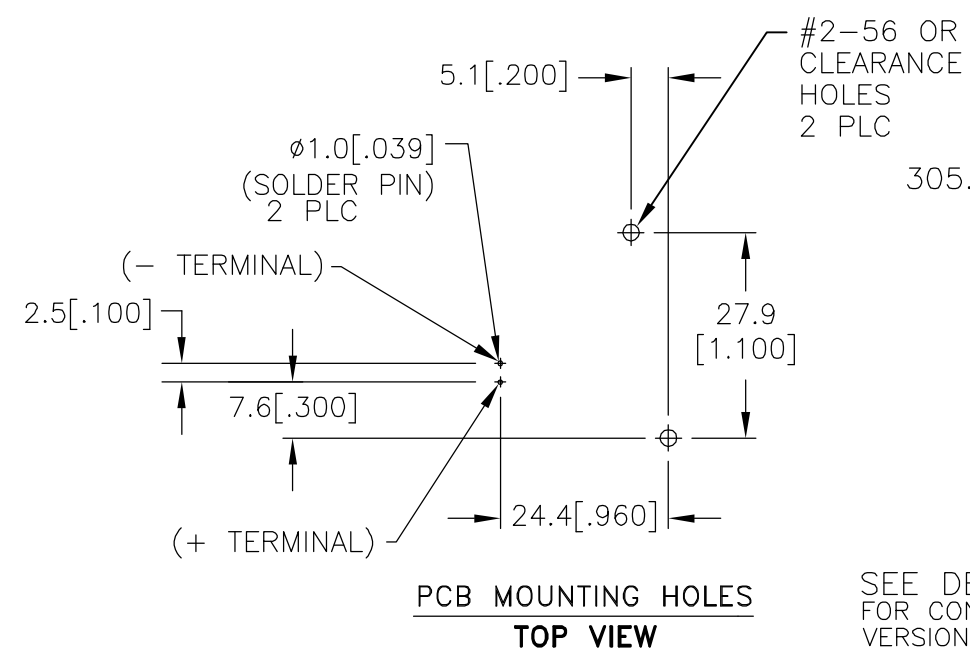
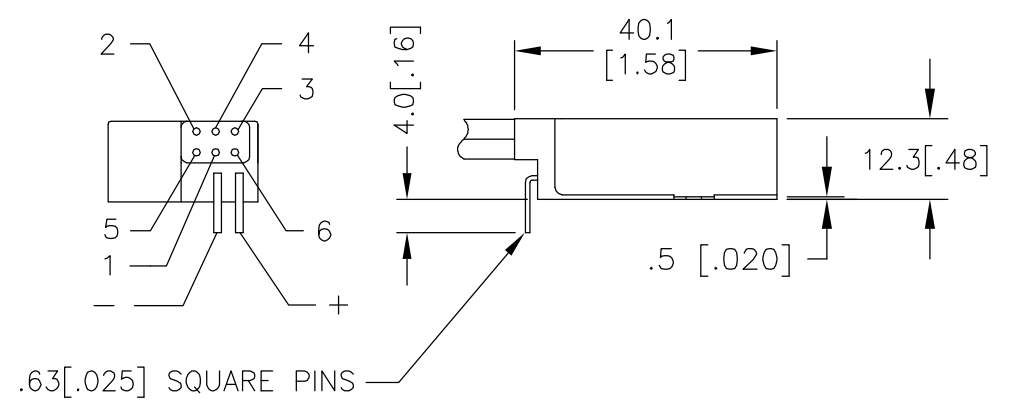
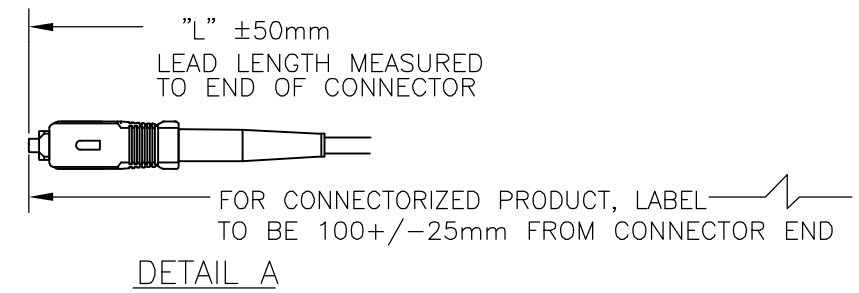


THIS DRAWING IS UNPUBLISHED. RELEASED FOR PUBLICATION
 © COPYRIGHT - BY TYCO ELECTRONICS CORPORATION. ALL RIGHTS RESERVED.

| LOC | DIST | REVISIONS | | | | | |
|-----|------|-----------|-----|-------------|---------|-----|------|
| EA | 51 | P | LTR | DESCRIPTION | DATE | DWN | APVD |
| | | 2 | | UPDATE | 04OCT06 | SM | RP |



SEE DETAIL -A- FOR CONNECTORIZED VERSIONS



| PART NO. | FIBER TYPE | CONNECTOR TYPE |
|-------------|--------------|----------------|
| 5099974-1 | 50/125/250 | NONE |
| 5099974-2 | 62.5/125/250 | NONE |
| 1-5099974-2 | 62.5/125/250 | SC STYLE |
| 8-5099974-1 | 50/125/250 | SC STYLE |
| 8-5099974-2 | 62.5/125/250 | SC STYLE |

NOTES:

1. DIMENSIONS IN [] ARE IN INCHES.
2. PERFORMANCE SPECIFICATIONS

TESTED PER FOTP-34 METHOD A2
 INSERTION LOSS DATA INCLUDES TWO CONNECTED PAIRS

| | UNCONNECTORIZED | CONNECTORIZED |
|---|--|---------------|
| INSERTION LOSS POWER OFF, 1 TO 2 & 4 TO 5 | 0.8dB MAX | 1.8dB MAX |
| INSERTION LOSS POWER ON, 1 TO 3 & 4 TO 6 | 0.8dB MAX | 1.8dB MAX |
| OPTICAL CROSSTALK | </=-45dB MAX | |
| SWITCHING SPEED | 10 MILLISECONDS MAX | |
| POWER REQUIREMENTS | 4.0 TO 5.5 VOLTS, 80 ma MAX AT 5.0 VOLTS | |
| OPERATING WAVELENGTH | 750nm TO 1450nm | |
| TESTED WAVELENGTH | 1300nm | |

3. THIS PRODUCT HAS NOT COMPLETED VALIDATION TESTING.

| | |
|----------------|-------------|
| 1000 mm (39.5) | 8-5099974-2 |
| 1000 mm (39.5) | 8-5099974-1 |
| 400 mm (15.7) | 1-5099974-2 |
| 1000 mm (39.5) | 5099974-2 |
| 1000 mm (39.5) | 5099974-1 |
| "L" LENGTH | PART NUMBER |

PRELIMINARY

| | | | |
|--|--|-----------------------------|---|
| THIS DRAWING IS A CONTROLLED DOCUMENT. | | DWN S. MONGOLD 17JAN06 | Tyco Electronics Corporation Harrisburg, PA 17105-3608 |
| DIMENSIONS: mm [INCHES] | | CHK R. PAUL 17JAN06 | |
| TOLERANCES UNLESS OTHERWISE SPECIFIED: | | APVD F. ABENDSCHEIN 17JAN06 | |
| 0 PLC ± - 1 PLC ± 0.5 2 PLC ± - 3 PLC ± - 4 PLC ± - ANGLES ± 2' | | PRODUCT SPEC - | NAME SWII D1X2 TIN (BENT PIN) |
| MATERIAL - | | FINISH - | RESTRICTED TO - |
| - | | WEIGHT - | SIZE A3 CAGE CODE 00779 DRAWING NO C-5099974 |
| CUSTOMER DRAWING | | | SCALE 1:1 SHEET 1 OF 1 REV 2 |