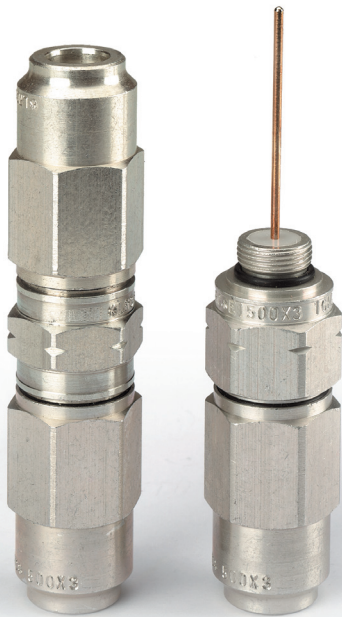


LRC® X-SERIES® HARDLINE TWO-PIECE CONNECTORS - P3/T10 CABLE

The X-Series connector is a two-piece hardline connector that has the 'pullback' of the industry's three-piece offerings.

The center conductor can be easily seen as it enters the Auto-Seize® mechanism. The distance the cable has to travel for insertion into the entry portion of the connector is shortened and the blind entry associated with current two-piece connector designs is also eliminated. Both of these improvements minimize the possibility of cable damage. The X-Series incorporates the Auto-Seize® and positive stop features of all LRC® connectors. These technologies eliminate the chance of cable flaring and enhance connector reusability. An additional patent pending feature has eliminated cable twisting as the connector is tightened down. This further reduces the chance of cable damage during installation.



PHYSICAL PROPERTIES

- Body Components: Aluminum
- Body Finish: Chromate conversion coating with dry thin film lubricant
- Terminal: Brass, Silver plate
- Entry Support: Ultem
- O-Rings: Ethylene Propylene

ELECTRICAL PROPERTIES

- Return Loss: >30 dB Typical
- Insertion Loss: -0.2 dB Typical
- RFI Shielding: -105 dB Typical
- Current Rating: 20 Amps
- Insulation Resistance: 20 Gig Ohm
- Dielectric Strength: >4 kV
- Breakdown Voltage: >4 kV

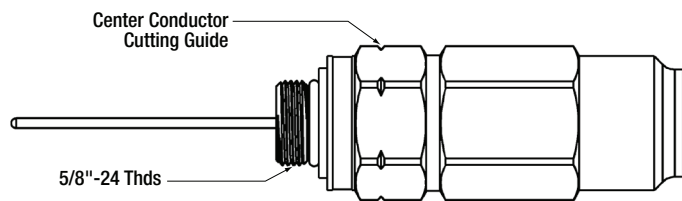
MECHANICAL PROPERTIES

- Cable Retention (Sheath & Center Conductor): >600 lb

ENVIRONMENTAL PROPERTIES

- Temperature Rating: -40°F (-40°C) to 170°F (77°C)
- Salt Spray Exposure: Complies to Bellcore GR-2846-CORE, Generic Requirements for Coaxial Distribution Connectors
- Water Submersion: Complies to Bellcore GR-2846-CORE

- Positive Stop prevents cable damage from over-tightening
- No-twist Auto-Seize® mechanism eliminates radial stress
- Extended back nut minimizes cable sheath deformation
- Generous funnel shape center conductor insertion guide
- Exceeds industry standards with zero degree of cable twist (patent pending)
- Pullback comparable to Thomas & Betts LRC® traditional three-piece connector designs



ORDERING INFORMATION

CATALOG #	CONNECTOR TYPE	CABLE SIZE	CABLE TYPE	INNER PACK	OUTER PACK
TWO-PIECE CONNECTORS					
EI500X3	Pin	.500	P3/T10	20	160
EI625X3	Pin	.625	P3/T10	20	160
EI750X3	Pin	.750	P3/T10	14	56
EI875X3	Pin	.875	P3/T10	9	36
SI500X3	Splice	.500	P3/T10	20	80
SI625X3	Splice	.625	P3/T10	20	80
SI750X3	Splice	.750	P3/T10	16	32
SI875X3	Splice	.875	P3/T10	9	36

Please ask your Thomas & Betts representative for a complete catalog of quality Thomas & Betts products or visit us at www.tnb.com. For customer service, call **1-800-685-9452**. For technical questions, call **1-888-862-3289**.

© 2006 Thomas & Betts Corporation. All rights reserved.

Thomas & Betts Corporation
Communications Products Group
Tel: 800-920-0328 • 901-252-5000
Fax: 800-283-6756 • 901-252-1389

LRC® X-SERIES® HARDLINE TWO-PIECE CONNECTORS - QR CABLE

Two-piece hardline connectors for QR cable featuring a non-metallic radiation sleeve, which reduces craft sensitivity of cable to connector interface and provides improved electrical characteristics.

The X-Series connector is a two-piece hardline connector that has the 'pullback' of the industry's three-piece offerings. The center conductor can be easily seen as it enters the Auto-Seize® mechanism. The distance the cable has to travel for insertion into the entry portion of the connector is shortened and the blind entry associated with current two-piece connector designs is also eliminated. Both of these improvements minimize the possibility of cable damage. The X-Series incorporates the Auto-Seize® and positive stop features of all LRC® connectors. These technologies eliminate the chance of cable flaring and enhance connector reusability.

PHYSICAL PROPERTIES

- Body Components: Aluminum
- Body Finish: Chromate conversion coating with dry thin film lubricant
- Terminal: Brass, Silver plate
- Entry Support: Ultem
- O-Rings: Ethylene Propylene

ELECTRICAL PROPERTIES

- Return Loss: >30 dB Typical
- Insertion Loss: -0.2 dB Typical
- RFI Shielding: -105 dB Typical
- Current Rating: 20 Amps
- Insulation Resistance: 20 Gig Ohm
- Dielectric Strength: >4 kV
- Breakdown Voltage: >4 kV

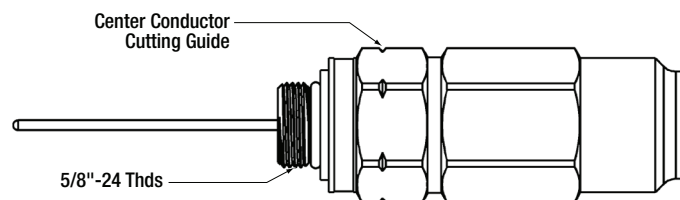
MECHANICAL PROPERTIES

- Cable Retention (Sheath & Center Conductor): >600 lb

ENVIRONMENTAL PROPERTIES

- Temperature Rating: -40°F (-40°C) to 170°F (77°C)
- Salt Spray Exposure: Complies to Bellcore GR-2846-CORE, Generic Requirements for Coaxial Distribution Connectors
- Water Submersion: Complies to Bellcore GR-2846-CORE

- Positive Stop prevents cable damage from over-tightening
- No-twist Auto-Seize® mechanism eliminates radial stress
- Extended back nut minimizes cable sheath deformation
- Generous funnel shape center conductor insertion guide with non-metallic radiation sleeve
- Exceeds industry standards with zero degree of cable twist (patent pending)
- Pullback comparable to Thomas & Betts LRC® traditional three-piece connector designs



ORDERING INFORMATION

CATALOG #	CONNECTOR TYPE	CABLE SIZE	CABLE TYPE	INNER PACK	OUTER PACK
TWO-PIECE CONNECTORS					
EI540XQR	Pin	.540	QR	5	80
EI715XQR	Pin	.715	QR	5	80
EI860XQR	Pin	.860	QR	5	45
SI540XQR	Splice	.540	QR	20	80
SI715XQR	Splice	.715	QR	14	56
SI860XQR	Splice	.860	QR	9	36

Please ask your Thomas & Betts representative for a complete catalog of quality Thomas & Betts products or visit us at www.tnb.com. For customer service, call **1-800-685-9452**. For technical questions, call **1-888-862-3289**.

Thomas & Betts Corporation
Communications Products Group
Tel: 800-920-0328 • 901-252-5000
Fax: 800-283-6756 • 901-252-1389

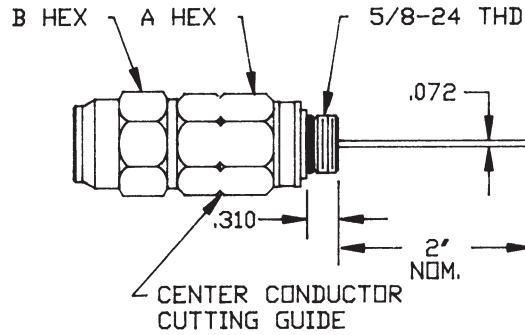
© 2006 Thomas & Betts Corporation. All rights reserved.

DATA SHEET # CDS-LRCXQR

**“K” Series
Two Piece Pin Type**



5/8"- 24 2 piece pin type entry connector with auto seize technology for enhanced cable seizure. 2" pin and center conductor cutting guide are standard. Common hex size per connector with tapered back nut for consistent heat shrink application. Re-enterable and reusable.

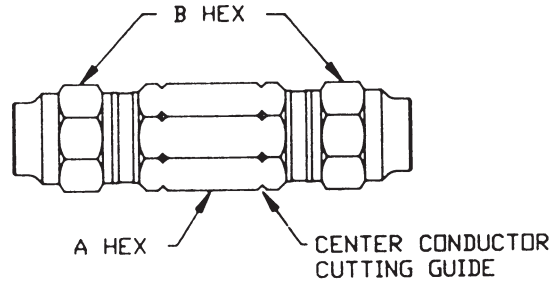


Ordering Information

CABLE TYPE	CATALOG NUMBER	CENTER COND	CABLE OD	DIM A	DIM B	INNER PACK	OUTER PACK
P3 & T10	EI412K3	.092	.412	13/16	7/8	25	200
	EI500K3	.109	.500	1	1	20	160
	EI625K3	.137	.625	1	1	20	160
	EI750K3	.167	.750	1-1/8	1-1/8	16	128
	EI875K3	.194	.875	1-3/8	1-3/8	9	72
	EI1000K3	.220	1.000	1-1/2	1-1/2	9	36
QR	EI500QR	.117	.580	1	1	20	160
	EI540QR	.124	.610	1	1	20	160
	EI715QR	.166	.785	1-3/16	1-3/16	14	112
	EI860QR	.203	.960	1-1/2	1-1/2	9	72
	EI1125QR	.263	1.225	1-3/4	1-3/4	6	24
TX	EI565TX	.129	.565	1		120	160
	EI700TX	.163	.703	1-1/8	1-1/8	12	96
	EI840TX	.194	.840	1-3/8	1-3/8	9	72
	EI1160TX	.269	1.160	1-3/4	1-3/4	6	24
MC²	EI440MC2	.105	.450	1	1	20	160
	EI500MC2	.123	.510	1	1	20	160
	EI650MC2	.156	.640	1-1/8	1-1/8	16	128
	EI750MC2	.185	.760	1-1/8	1-1/8	16	128
	EI1000MC2	.248	1.015	1-1/2	1-1/2	9	36
P1	EI412K	.080	.412	13/16	7/8	25	200
	EI500K	.100	.500	1	1	20	160
	EI750K	.148	.750	1-1/8	1-1/8	16	128

**“K” Series
Two Piece Splices**

Connectors to join two identical cables together. Auto seize technology incorporated in both connector ends assures best possible connection. Splice connectors are re-enterable and reusable with integrated center conductor cutting guide. Common hex size per connector with tapered back nut for consistent heat shrink application.



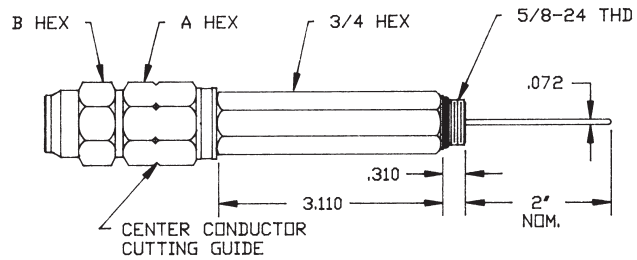
Ordering Information

CABLE TYPE	CATALOG NUMBER	CENTER COND	CABLE OD	DIM A	DIM B	INNER PACK	OUTER PACK
P3 & T10	SI412K3	.092	.412	13/16	7/8	25	100
	SI500K3	.109	.500	1	1	20	80
	SI625K3	.137	.625	1	1	20	80
	SI750K3	.167	.750	1-1/8	1-1/8	16	64
	SI875K3	.194	.875	1-3/8	1-3/8	9	36
	SI1000K3	.220	1.000	1-1/2	1-1/2	9	36
QR	SI500QR	.117	.580	1	1	20	80
	SI540QR	.124	.610	1	1	20	80
	SI715QR	.166	.785	1-3/16	1-3/16	14	56
	SI860QR	.203	.960	1-1/2	1-1/2	9	36
	SI1125QR	.263	1.225	1-3/4	1-3/4	6	24
TX	SI565TX	.129	.565	1	1	20	80
	SI700TX	.163	.703	1-1/8	1-1/8	12	48
	SI840TX	.194	.840	1-3/8	1-3/8	9	36
	SI1160TX	.269	1.160	1-3/4	1-3/4	6	24
MC²	SI440MC2	.105	.450	7/8	7/8	25	100
	SI500MC2	.123	.510	1	1	20	80
	SI650MC2	.156	.640	1-1/8	1-1/8	16	64
	SI750MC2	.185	.760	1-1/8	1-1/8	16	64
	SI1000MC2	.248	1.015	1-1/2	1-1/2	9	36
P1	SI412K	.080	.412	13/16	7/8	25	100
	SI500K	.100	.500	1	1	20	80
	SI750K	.148	.750	1-1/8	1-1/8	16	64

2-Piece Pin Type Extension

**“K” Series
Two Piece
Pin Type Extensions**

5/8" – 24 2 piece extended entry connectors with auto seize technology for enhanced cable seizure. 2" pin and center conductor cutting guide are standard. Common hex size per connector with tapered back nut for consistent heat shrink application. Re-enterable and reusable. Available in 3", 6" and 9" lengths.



Ordering Information

CABLE TYPE	CATALOG NUMBER	CENTER COND	CABLE OD	DIM A	DIM B	INNER PACK	OUTER PACK
P3 & T10	EI412K3LB	.092	.412	13/16	7/8	25	100
	EI500K3LB	.109	.500	1	1	20	80
	EI625K3LB	.137	.625	1	1	20	80
	EI750K3LB	.167	.750	1-1/8	1-1/8	16	64
	EI875K3LB	.194	.875	1-3/8	1-3/8	9	36
	EI1000K3LB	.220	1.000	1-1/2	1-1/2	9	36
QR	EI500QRLB	.117	.580	1	1	20	80
	EI540QRLB	.124	.610	1	1	20	80
	EI715QRLB	.166	.785	1-3/16	1-3/16	14	56
	EI860QRLB	.203	.960	1-1/2	1-1/2	9	36
	EI1125QRLB	.263	1.225	1-3/4	1-3/4	6	24
TX	EI565TXLB	.129	.565	1	1	20	80
	EI700TXLB	.163	.703	1-1/8	1-1/8	14	56
	EI840TXLB	.194	.840	1-3/8	1-3/8	9	36
	EI1160TXLB	.269	1.160	1-3/4	1-3/4	6	24
MC²	EI440MC2LB	.105	.450	1	1	20	80
	EI500MC2LB	.123	.510	1	1	20	80
	EI650MC2LB	.156	.640	1-1/8	1-1/8	16	64
	EI750MC2LB	.185	.760	1-1/8	1-1/8	16	64
	EI1000MC2LB	.248	1.015	1-1/2	1-1/2	9	36
P1	EI412KLB	.080	.412	13/16	7/8	25	100
	EI500KLB	.100	.500	1	1	20	80
	EI750KLB	.148	.750	1-1/8	1-1/8	16	64

NOTE: FOR 3" EXTENSION, PART NUMBER ENDS IN LB AS SHOWN IN ABOVE TABLE

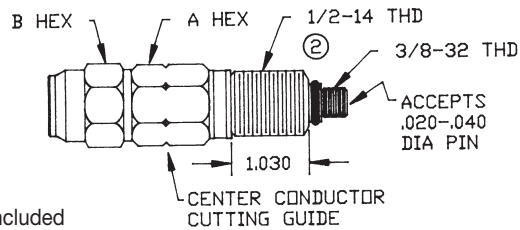
FOR 6" EXTENSION, ADD 6 TO END OF PART NUMBER. FOR EXAMPLE, EI500QRLB6.

FOR 9" EXTENSION, ADD 9 TO END OF PART NUMBER: FOR EXAMPLE, EI500QRLB9

“K” Series
Two Piece Cable to Female
Bulkhead Adaptors



2 piece cable to "F" female adaptor capable of being secured in place for permanent mounting. Auto seize technology for enhanced cable seizure. Center conductor cutting guide is standard. Common hex size per connector with tapered back nut for consistent heat shrink application. Re-enterable and reusable.



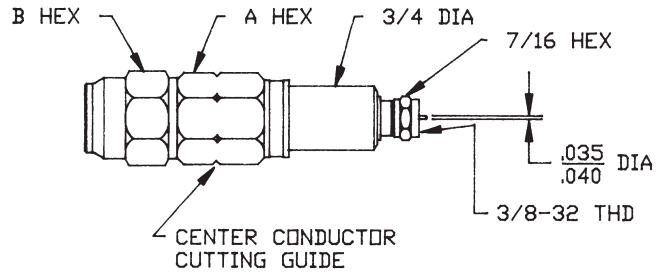
© Conduit Nuts Included

Ordering Information

CABLE TYPE	CATALOG NUMBER	CENTER COND	CABLE OD	DIM A	DIM B	INNER PACK	OUTER PACK
P3 & T10	BI412FFK3	.092	.412	13/16	7/8	20	160
	BI500FFK3	.109	.500	1	1	20	160
	BI625FFK3	.137	.625	1	1	20	160
	BI750FFK3	.167	.750	1-1/8	1-1/8	16	128
	BI875FFK3	.194	.875	1-3/8	1-3/8	9	72
	BI1000FFK3	.220	1.000	1-1/2	1-1/2	9	72
QR	BI500FFQR	.117	.580	1	1	20	160
	BI540FFQR	.124	.610	1	1	20	80
	BI715FFQR	.166	.785	1-3/16	1-3/16	14	56
	BI860FFQR	.203	.960	1-1/2	1-1/2	9	72
	BI1125FFQR	.263	1.225	1-3/4	1-3/4	6	48
TX	BI565FFTX	.129	.565	1	1	20	160
	BI700FFTX	.163	.703	1-1/8	1-1/8	12	48
	BI840FFTX	.194	.840	1-3/8	1-3/8	9	36
	BI1160FFTX	.269	1.160	1-3/4	1-3/4	6	24
MC²	BI440FFMC2	.105	.450	1	1	20	160
	BI500FFMC2	.123	.510	1	1	20	160
	BI650FFMC2	.156	.640	1-1/8	1-1/8	16	128
	BI750FFMC2	.185	.760	1-1/8	1-1/8	16	128
	BI1000FFMC2	.248	1.015	1-1/2	1-1/2	9	72
P1	BI412FFK	.080	.412	13/16	7/8	20	160
	BI500FFK	.100	.500	1	1	20	160
	BI750FFK	.148	.750	1-1/8	1-1/8	16	128

"K" Series
Two Piece
Cable to "F" Male Adaptors

2 piece cable to "F" male adaptor. Auto seize technology for enhanced cable seizure. Center conductor cutting guide is standard. Common hex size per connector with tapered back nut for consistent heat shrink application. Re-entrantable and reusable.



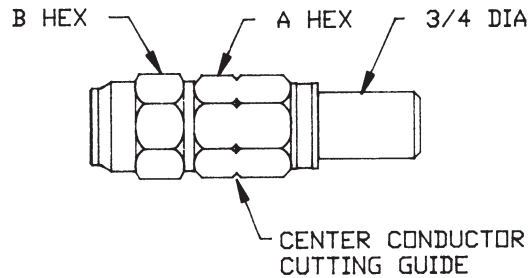
Ordering Information

CABLE TYPE	CATALOG NUMBER	CENTER COND	CABLE OD	DIM A	DIM B	INNER PACK	OUTER PACK
P3 & T10	AI412FMK3	.092	.412	13/16	7/8	20	160
	AI500FMK3	.109	.500	1	1	20	160
	AI625FMK3	.137	.625	1	1	20	160
	AI750FMK3	.167	.750	1-1/8	1-1/8	16	128
	AI875FMK3	.194	.875	1-3/8	1-3/8	9	36
AI1000FMK3	.220	1.000	1-1/2	1-1/2	9	36	
QR	AI500FMQR	.117	.580	1	1	8	20
	AI540FMQR	.124	.610	1	1	20	160
	AI715FMQR	.166	.785	1-3/16	1-3/16	14	56
	AI860FMQR	.203	.960	1-1/2	1-1/2	9	36
AI1125FMQR	.263	1.225	1-3/4	1-3/4	6	48	
TX	AI565FMTX	.129	.565	1	1	20	160
	AI700FMTX	.163	.703	1-1/8	1-1/8	14	112
	AI840FMTX	.194	.840	1-3/8	1-3/8	9	72
	AI1160FMTX	.269	1.160	1-3/4	1-3/4	-	1
MC²	AI440FMMC2	.105	.450	1	1	20	160
	AI500FMMC2	.123	.510	1	1	20	160
	AI650FMMC2	.156	.640	1-1/8	1-1/8	16	128
	AI750FMMC2	.185	.760	1-1/8	1-1/8	16	128
P1	AI412FMK	.080	.412	13/16	7/8	20	160
	AI500FMK	.100	.500	1	1	-	1
	AI750FMK	.148	.750	1-1/8	1-1/8	-	1

**“K” Series
Two Piece
Cable Terminators**



2 piece cable terminator. Blocks 60 Hz AC power and terminates RF signal. Auto seize technology for enhanced cable seizure. Center conductor cutting guide is standard. Common hex size per connector with tapered back nut for consistent heat shrink application. Re-enterable and reusable.



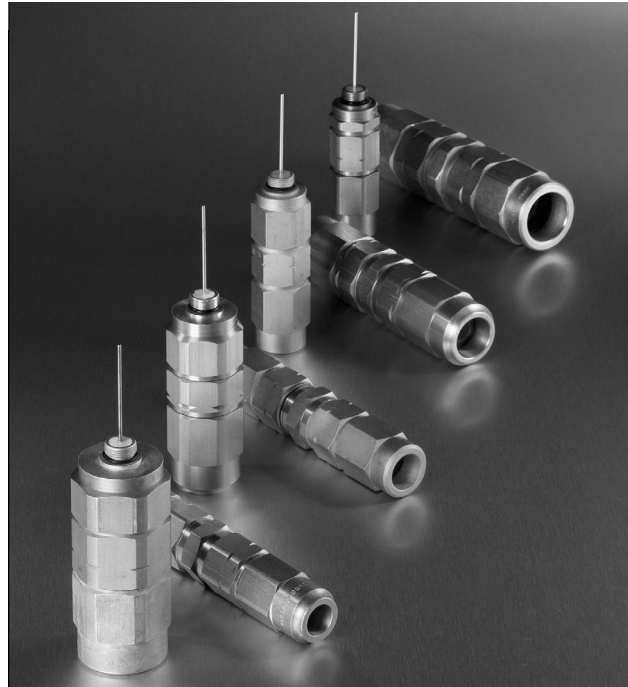
Ordering Information

CABLE TYPE	CATALOG NUMBER	CENTER COND	CABLE OD	DIM A	DIM B	INNER PACK	OUTER PACK
P3 & T10	AI412TRBK3	.092	.412	13/16	7/8	20	160
	AI500TRBK3	.109	.500	1	1	20	160
	AI625TRBK3	.137	.625	1	1	20	160
	AI750TRBK3	.167	.750	1-1/8	1-1/8	16	128
	AI875TRBK3	.194	.875	1-3/8	1-3/8	9	72
	AI1000TRBK3	.220	1.000	1-1/2	1-1/2	9	72
QR	AI500TRBQR	.117	.580	1	1	20	80
	AI540TRBQR	.124	.610	1	1	20	80
	AI715TRBQR	.166	.785	1-3/16	1-3/16	14	56
	AI860TRBQR	.203	.960	1-1/2	1-1/2	9	36
TX	AI565TRBTX	.129	.565	1	1	9	36
	AI700TRBTX	.163	.703	1-1/8	1-1/8	9	36
	AI840TRBTX	.194	.840	1-3/8	1-3/8	9	36
	AI1160TRBTX	.269	1.160	1-3/4	1-3/4	6	24
MC²	AI440TRBMC2	.105	.450	1	1	20	160
	AI500TRBMC2	.123	.510	1	1	20	160
	AI650TRBMC2	.156	.640	1-1/8	1-1/8	16	128
	AI750TRBMC2	.185	.760	1-1/8	1-1/8	16	128
	AI1000TRBMC2	.248	1.015	1-1/2	1-1/2	9	36
P1	AI412TRBK	.080	.412	13/16	7/8	25	100
	AI500TRBK	.100	.500	1	1	20	160
	AI750TRBK	.148	.750	1-1/8	1-1/8	16	128

W & G SERIES CONNECTORS

“W” SERIES 3 PIECE CONNECTORS

Thomas & Betts original LRC 3 piece connector design has been manufactured for over 25 years. The design is continually adapted and improved to meet and exceed today's cable system requirements. Today's 3 piece connector design seizes the center conductor and aluminum sheath of the cable through a 2 step process. This design provides minimal cable pull back with full view of center conductor entrance into the seizing mechanism.

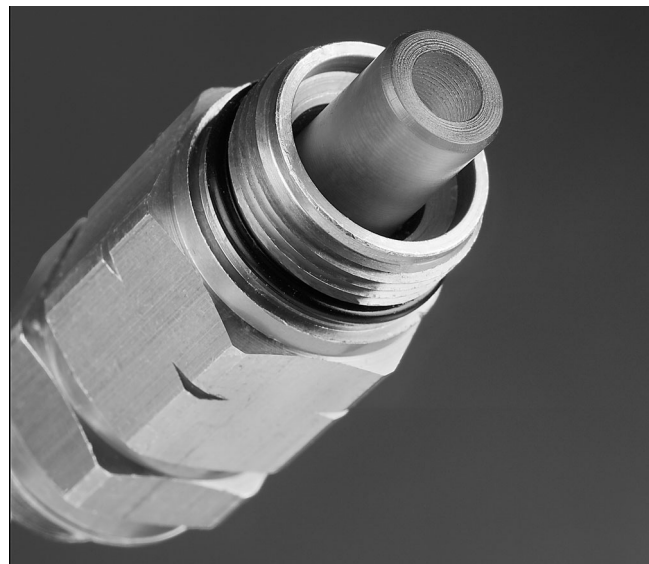


“G” SERIES - GOLD STANDARD 3 PIECE CONNECTORS

The “G” Series connectors feature a non-metallic radiation sleeve which:

- Reduces craft sensitivity of cable to connector interface
- Reduces RF electrical ground path keeping the RF signals in phase
- Provides improved electrical characteristics
- Is friendly for installing on powered-up cables

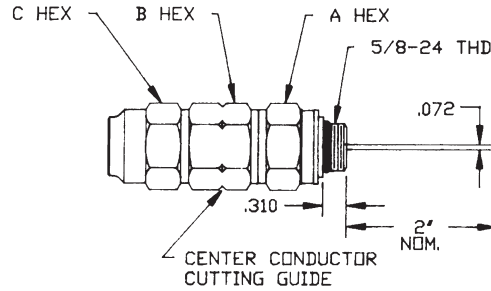
Consistent reliable installations - every time



“W” & “G” Series
Three Piece Pin Type



5/8"- 24 3 piece pin type entry connector with auto seize technology for enhanced cable seizure. 2" pin and center conductor cutting guide are standard. Common hex size per connector with tapered back nut for consistent heat shrink application. Re-enterable and reusable; three piece design allows visual inspection of connector and cable during attachment.



Ordering Information

CABLE TYPE	CATALOG NUMBER	CENTER COND	CABLE OD	DIMENSIONS			INNER PACK	OUTER PACK
				A	B	C		
P3 & T10	EFI412W3	.092	.412	15/16	15/16	15/16	25	200
	EFI500W3	.109	.500	1	1	1	20	160
	EFI625W3	.137	.625	1-1/8	1-1/8	1-1/8	16	128
	EFI750W3	.167	.750	1-3/16	1-3/16	1-3/16	14	112
	EFI875W3	.194	.875	1-1/2	1-1/2	1-1/2	9	36
	EFI1000W3	.220	1.000	1-3/4	1-3/4	1-3/4	6	24
QR	EFI540QRG	.124	.610	1-1/8	1-1/8	1-1/8	16	64
	EFI715QRG	.166	.785	1-3/16	1-3/16	1-3/16	9	36
	EFI860QRG	.203	.960	1-1/2	1-1/2	1-1/2	9	36
	EFI1125QRG	.263	1.225	1-3/4	1-3/4	1-3/4	6	24
TX	EFI565TX	.129	.565	1-1/8	1-1/8	1-1/8	16	128
	EFI700TX	.163	.703	1-3/16	1-3/16	1-3/16	14	112
	EFI840TX	.194	.840	1-1/2	1-1/2	1-1/2	9	72
MC²	EFI440MC2	.105	.450	15/16	15/16	15/16	25	200
	EFI500MC2	.123	.510	1	1	1	20	160
	EFI650MC2	.156	.640	1-1/8	1-1/8	1-1/8	16	128
	EFI750MC2	.185	.760	1-3/16	1-3/16	1-3/16	9	36
	EFI1000MC2	.248	1.015	1-3/4	1-3/4	1-3/4	6	24
P1	EFI412W	.080	.412	15/16	15/16	15/16	25	200
	EFI500W	.100	.500	1	1	1	20	160
	EFI750W	.148	.750	1-3/16	1-3/16	1-3/16	14	112
	EFI1000W	.193	1.000	1-3/4	1-3/4	1-3/4	6	24
P2	EFI412W2	.092	.412	15/16	15/16	15/16	25	200
	EFI500W2	.111	.500	1	1	1	20	160
	EFI750W2	.169	.750	1-3/16	1-3/16	1-3/16	14	112
	EFI1000W2	.225	1.000	1-3/4	1-3/4	1-3/4	6	24

QR IS A TRADEMARK OF COMMScope, INC.

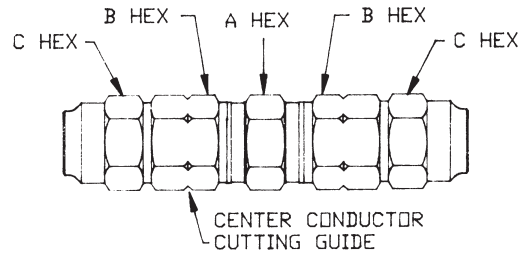
TX & T10 ARE TRADEMARKS OF TIMES FIBER COMMUNICATIONS

MC² IS A TRADEMARK OF TRILOGY

“W” & “G” Series
Three Piece Splices



Connectors to join two identical cables together. Auto seize technology incorporated in both connector ends assures best possible connection. Three piece design allows visual inspection of connector and cable during installation. Common hex size per connector with tapered back nut for consistent heat shrink application. Connectors are re-enterable and reusable with integrated center conductor cutting guide.



Ordering Information

CABLE TYPE	CATALOG NUMBER	CENTER COND	CABLE OD	DIMENSIONS			INNER PACK	OUTER PACK
				A	B	C		
P3 & T10	SFI412W3	.092	.412	15/16	15/16	15/16	25	100
	SFI500W3	.109	.500	1	1	1	20	80
	SFI625W3	.137	.625	1-1/8	1-1/8	1-1/8	16	64
	SFI750W3	.167	.750	1-3/16	1-3/16	1-3/16	14	56
	SFI875W3	.194	.875	1-1/2	1-1/2	1-1/2	9	36
	SFI1000W3	.220	1.000	1-3/4	1-3/4	1-3/4	6	24
QR	SFI540QRG	.124	.610	1-1/8	1-1/8	1-1/8	16	64
	SFI715QRG	.166	.785	1-3/16	1-3/16	1-3/16	9	36
	SFI860QRG	.203	.960	1-1/2	1-1/2	1-1/2	9	36
	SFI1125QRG	.263	1.225	1-3/4	1-3/4	1-3/4	6	24
TX	SFI565TX	.129	.565	1-1/8	1-1/8	1-1/8	16	64
	SFI700TX	.163	.703	1-3/16	1-3/16	1-3/16	14	56
	SFI840TX	.194	.840	1-1/2	1-1/2	1-1/2	9	36
MC²	SFI440MC2	.105	.450	15/16	15/16	15/16	25	100
	SFI500MC2	.123	.510	1	1	1	20	80
	SFI650MC2	.156	.640	1-1/8	1-1/8	1-1/8	16	64
	SFI750MC2	.185	.760	1-3/16	1-3/16	1-3/16	9	36
	SFI1000MC2	.248	1.015	1-3/4	1-3/4	1-3/4	6	24
P1	SFI412W	.080	.412	15/16	15/16	15/16	25	100
	SFI500W	.100	.500	1	1	1	20	80
	SFI750W	.148	.750	1-3/16	1-3/16	1-3/16	14	56
	SFI1000W	.193	1.000	1-3/4	1-3/4	1-3/4	6	24
P2	SFI412W2	.092	.412	15/16	15/16	15/16	25	100
	SFI500W2	.111	.500	1	1	1	20	80
	SFI750W2	.169	.750	1-3/16	1-3/16	1-3/16	14	56

QR IS A TRADEMARK OF COMMScope, INC.

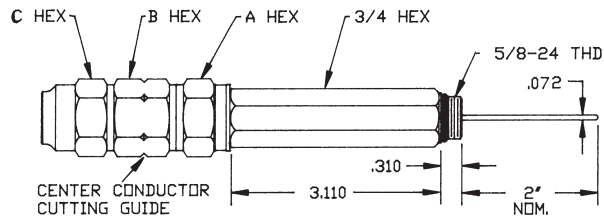
TX & T10 ARE TRADEMARKS OF TIMES FIBER COMMUNICATIONS

MC² IS A TRADEMARK OF TRILOGY

**“W” & “G” Series
Three Piece
Pin Type Extensions**



5/8" – 24 3 piece extended entry connectors with auto seize technology for enhanced cable seizure. 2" pin and center conductor cutting guide are standard. Common hex size per connector with tapered back nut for consistent heat shrink application. Re-enterable and reusable. Three piece design allows visual inspection of connector and cable during installation. Available in 3", 6" and 9" lengths.



Ordering Information

CABLE TYPE	CATALOG NUMBER	CENTER COND	CABLE OD	DIMENSIONS			INNER PACK	OUTER PACK
				A	B	C		
P3 & T10	EFI412W3LB	.092	.412	15/16	15/16	15/16	25	100
	EFI500W3LB	.109	.500	1	1	1	20	80
	EFI625W3LB	.137	.625	1-1/8	1-1/8	1-1/8	16	64
	EFI750W3LB	.167	.750	1-3/16	1-3/16	1-3/16	14	56
	EFI875W3LB	.194	.875	1-1/2	1-1/2	1-1/2	9	36
	EFI1000W3LB	.220	1.000	1-3/4	1-3/4	1-3/4	6	24
QR	EFI540QRGLB	.124	.610	1-1/8	1-1/8	1-1/8	16	64
	EFI715QRGLB	.166	.785	1-1/2	1-1/2	1-1/2	9	36
	EFI860QRGLB	.203	.960	1-1/2	1-1/2	1-1/2	9	36
	EFI1125QRGLB	.263	1.225	1-3/4	1-3/4	1-3/4	6	24
TX	EFI565TXLB	.129	.565	1-1/8	1-1/8	1-1/8	14	256
	EFI700TXLB	.163	.703	1-3/16	1-3/16	1-3/16	14	56
	EFI840TXLB	.194	.840	1-1/2	1-1/2	1-1/2	9	36
MC²	EFI440MC2LB	.105	.450	15/16	15/16	15/16	25	100
	EFI500MC2LB	.123	.510	1	1	1	20	80
	EFI650MC2LB	.156	.640	1-1/8	1-1/8	1-1/8	16	64
	EFI750MC2LB	.185	.760	1-3/16	1-3/16	1-3/16	9	36
	EFI1000MC2LB	.248	1.015	1-3/4	1-3/4	1-3/4	6	24
P1	EFI412W2LB	.092	.412	15/16	15/16	15/16	25	100
	EFI500W2LB	.111	.500	1	1	1	20	80
	EFI750W2LB	.169	.750	1-3/16	1-3/16	1-3/16	14	56
P2	EFI412WLB	.080	.412	15/16	15/16	15/16	25	100
	EFI500WLB	.100	.500	1	1	1	20	80
	EFI750WLB	.148	.750	1-3/16	1-3/16	1-3/16	14	56

NOTE: FOR 3" EXTENSION, PART NUMBER ENDS IN LB AS SHOWN IN ABOVE TABLE.

FOR 6" EXTENSION, ADD 6 TO END OF PART NUMBER. (EFI412W3LB6)

FOR 9" EXTENSION, ADD 9 TO END OF PART NUMBER. (EFI412W3LB9)

QR IS A TRADEMARK OF COMMScope, INC.

TX & T10 ARE TRADEMARKS OF TIMES FIBER COMMUNICATIONS

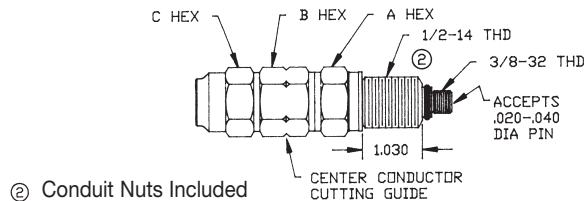
MC² IS A TRADEMARK OF TRILOGY

3-Piece Cable to "F" Female Bulkhead Adaptors

"W" & "G" Series
Three Piece Cable to "F"
Female Bulkhead Adaptors



3 piece cable to "F" female adaptor capable of being secured in place for permanent mounting. Auto seize technology for enhanced cable seizure. Center conductor cutting guide is standard. Common hex size per connector with tapered back nut for consistent heat shrink application. Three piece design allows visual inspection of connector and cable during installation. Re-enterable and reusable.



Ordering Information

CABLE TYPE	CATALOG NUMBER	CENTER COND	CABLE OD	DIMENSIONS			INNER PACK	OUTER PACK
				A	B	C		
P3 & T10	BAI412FFW3	.092	.412	15/16	15/16	15/16	25	200
	BAI500FFW3	.109	.500	1	1	1	20	160
	BAI625FFW3	.137	.625	1-1/8	1-1/8	1-1/8	16	128
	BAI750FFW3	.167	.750	1-3/16	1-3/16	1-3/16	14	112
	BAI875FFW3	.194	.875	1-1/2	1-1/2	1-1/2	9	36
	BAI1000FFW3	.220	1.000	1-3/4	1-3/4	1-3/4	6	48
QR	BAI540FFQRG	.124	.610	1-1/8	1-1/8	1-1/8	16	64
	BAI715FFQRG	.166	.785	1-1/2	1-1/2	1-1/2	9	36
	BAI860FFQRG	.203	.960	1-1/2	1-1/2	1-1/2	9	36
	BAI1125FFQRG	.263	1.225	1-3/4	1-3/4	1-3/4	6	24
TX	BAI565FFTX	.129	.565	1-1/8	1-1/8	1-1/8	16	128
	BAI700FFTX	.163	.703	1-3/16	1-3/16	1-3/16	14	56
	BAI840FFTX	.194	.840	1-1/2	1-1/2	1-1/2	9	36
MC²	BAI440FFMC2	.105	.450	15/16	15/16	15/16	25	100
	BAI500FFMC2	.123	.510	1	1	1	20	80
	BAI650FFMC2	.156	.640	1-1/8	1-1/8	1-1/8	16	64
	BAI750FFMC2	.185	.760	1-3/16	1-3/16	1-3/16	9	36
	BAI1000FFMC2	.248	1.015	1-3/4	1-3/4	1-3/4	6	24
P1	BAI412FFW	.080	.412	15/16	15/16	15/16	25	200
	BAI500FFW	.100	.500	1	1	1	20	160
	BAI750FFW	.148	.750	1-3/16	1-3/16	1-3/16	14	112
P2	BAI412FFW2	.092	.412	15/16	15/16	15/16	25	200
	BAI500FFW2	.111	.500	1	1	1	20	160
	BAI750FFW2	.169	.750	1-3/16	1-3/16	1-3/16	14	112

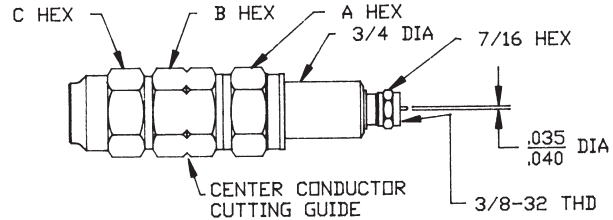
QR IS A TRADEMARK OF COMMSCOPE, INC.

TX & T10 ARE TRADEMARKS OF TIMES FIBER COMMUNICATIONS

MC² IS A TRADEMARK OF TRILOGY

**"W" & "G" Series
 Three Piece Hardline to
 "F" Male Adaptors**

3 piece cable to "F" male adaptor. Auto seize technology for enhanced cable seizure. Center conductor cutting guide is standard. Common hex size per connector with tapered back nut for consistent heat shrink application. Three piece design allows visual inspection of connector and cable during installation. Re-enterable and reusable.



Ordering Information

CABLE TYPE	CATALOG NUMBER	CENTER COND	CABLE OD	DIMENSIONS			INNER PACK	OUTER PACK
				A	B	C		
P3 & T10	AI412FMW3	.092	.412	15/16	15/16	15/16	25	160
	AI500FMW3	.109	.500	1	1	1	20	160
	AI625FMW3	.137	.625	1-1/8	1-1/8	1-1/8	16	128
	AI750FMW3	.167	.750	1-3/16	1-3/16	1-3/16	-	14
	AI875FMW3	.194	.875	1-1/2	1-1/2	1-1/2	-	1
	AI1000FMW3	.220	1.000	1-3/4	1-3/4	1-3/4	-	1
QR	AI540FMWQRG	.124	.610	1-1/8	1-1/8	1-1/8	16	64
	AI715FMWQRG	.166	.785	1-1/2	1-1/2	1-1/2	9	36
	AI860FMWQRG	.203	.960	1-1/2	1-1/2	1-1/2	9	36
	AI1125FMWQRG	.263	1.225	1-3/4	1-3/4	1-3/4	6	24
TX	AI565FMWTX	.129	.565	1-1/8	1-1/8	1-1/8	16	128
	AI700FMWTX	.163	.703	1-3/16	1-3/16	1-3/16	14	112
	AI840FMWTX	.194	.840	1-1/2	1-1/2	1-1/2	9	72
	AI1160FMWTX	.220	1.000	1-3/4	1-3/4	1-3/4	6	24
MC²	AI440FMWMC2	.105	.450	15/16	15/16	15/16	25	1000
	AI500FMWMC2	.123	.510	1	1	1	20	80
	AI650FMWMC2	.156	.640	1-1/8	1-1/8	1-1/8	16	64
	AI750FMWMC2	.185	.760	1-3/16	1-3/16	1-3/16	9	36
	AI1000FMWMC2	.248	1.015	1-3/4	1-3/4	1-3/4	6	24

QR IS A TRADEMARK OF COMMScope, INC.

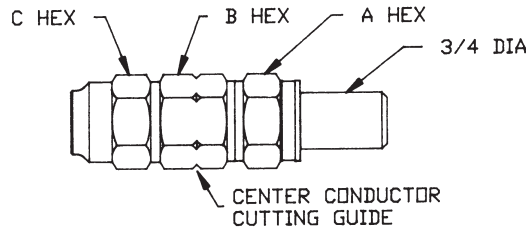
TX & T10 ARE TRADEMARKS OF TIMES FIBER COMMUNICATIONS

MC² IS A TRADEMARK OF TRILOGY

**“W” & “G” Series
Three Piece Cable
Terminators**



3 piece cable terminator. Blocks 60 Hz AC power and terminates RF signal. Auto seize technology for enhanced cable seizure. Center conductor cutting guide is standard. Common hex size per connector with tapered back nut for consistent heat shrink application. Three piece design allows visual inspection of connector and cable during installation. Re-enterable and reusable.



Ordering Information

CABLE TYPE	CATALOG NUMBER	CENTER COND	CABLE OD	DIMENSIONS			INNER PACK	OUTER PACK
				A	B	C		
P3 & T10	AI500TRBW3	.109	.500	1	1	1	20	160
	AI625TRBW3	.137	.625	1-1/8	1-1/8	1-1/8	16	128
	AI750TRBW3	.167	.750	1-3/16	1-3/16	1-3/16	14	112
	AI875TRBW3	.194	.875	1-1/2	1-1/2	1-1/2	9	36
QR	AI540TRBWQRG	.124	.610	1-1/8	1-1/8	1-1/8	16	64
	AI715TRBWQRG	.166	.784	1-1/2	1-1/2	1-1/2	9	36
	AI860TRBWQRG	.203	.960	1-1/2	1-1/2	1-1/2	9	36
	AI1125TRBWQRG	.263	1.225	1-3/4	1-3/4	1-3/4	6	24
TX	AI565TRBWTX	.129	.565	1-1/8	1-1/8	1-1/8	16	128
	AI700TRBWTX	.163	.703	1-3/16	1-3/16	1-3/16	14	112
	AI840TRBWTX	.194	.840	1-1/2	1-1/2	1-1/2	9	72
	AI1160TRBWTX	.220	1.000	1-3/4	1-3/4	1-3/4	6	24
MC²	AI440TRBWMC2	.105	.450	15/16	15/16	15/16	25	100
	AI500TRBWMC2	.123	.510	1	1	1	20	160
	AI650TRBWMC2	.156	.640	1-1/8	1-1/8	1-1/8	16	64
	AI750TRBWMC2	.185	.760	1-3/16	1-3/16	1-3/16	9	36
P1	AI1000TRBWMC2	.248	1.015	1-3/4	1-3/4	1-3/4	6	24
	AI412TRBW	.080	.412	15/16	15/16	15/16	20	160
	AI750TRBW	.148	.750	1-3/16	1-3/16	1-3/16	14	112

QR IS A TRADEMARK OF COMMScope, INC.

TX & T10 ARE TRADEMARKS OF TIMES FIBER COMMUNICATIONS

MC² IS A TRADEMARK OF TRILOGY

**20 OHM
 Power Connector
 Three Piece**



PROPERTIES

PHYSICAL

BODY COMPONENTS: ALUMINUM 6262-T6511
 BODY FINISH: CHROMATE CONVERSION COATING WITH DRY THIN FILM LUBRICANT
 TERMINAL: BRASS CDA360 FH, SILVER PLATED
 O-RING CARRIER: BRASS CDA360 HH
 MANDREL: DELRIN 507
 FERRULE: ALUMINUM 6262-T6511
 ENTRY SUPPORT: ULTEM 1000
 O-RINGS: ETHYLENE PROPYLENE

ELECTRICAL

CURRENT RATING: 30A AT 90 VOLTS AC AT 122° F (50° C)
 INSULATION RESISTANCE: 5,000 MEGOHMS
 DIELECTRIC STRENGTH: 1,000 VOLTS AC RMS

MECHANICAL

CABLE RETENTION (SHEATH AND CENTER CONDUCTOR): >600 LB.

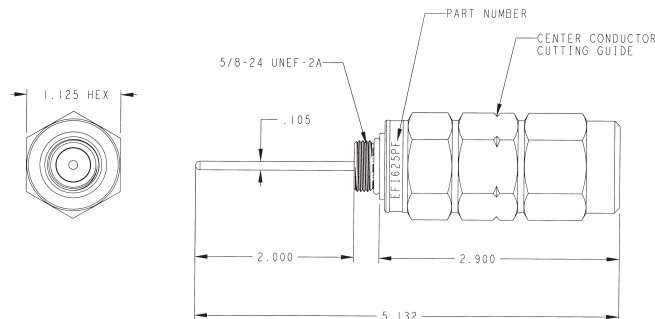
ENVIRONMENTAL

TEMPERATURE RATING: -40° F (-40° C) TO 140° F (60° C)
 SALT SPRAY (FOG) EXPOSURE: COMPLIES TO BELLCORE, GR-2846-CORE, GENERIC REQUIREMENTS FOR COAXIAL DISTRIBUTION CONNECTORS
 INTERFACE MOISTURE MIGRATION: COMPLIES TO SCTE STANDARD IPS-TP-013
 VIBRATION: COMPLIES TO BELLCORE, GR-2846-CORE, GENERIC REQUIREMENTS FOR COAXIAL DISTRIBUTION CONNECTORS

This connector is designed to be used with CommScope Power Feeder™ PF 625 JCA and Times Fiber T10™ Power 20 coaxial cables in applications where high current performance is required. Provides a reliable connection to power supplies and power inserters for minimal power loss in today's powering architectures.

DESIGN ADVANTAGES

- Larger pin diameter (.105") ensures higher current performance to maintain minimal loop resistance.
- Pin size selected for maximum flexibility for most equipment seizing mechanisms.
- Utilizes standard 5/8-24" entry port threads.
- Pin terminal is made of high-quality silver plated brass for superior electrical conductivity and maximum center conductor retention. Standard 2" pin length.
- The design provides electrical isolation between the cable center conductor and the connector exterior using non-conductive internal components.
- Center conductor cutting guide is built into the connector for reliable and repeatable installations.
- The connector is environmentally sealed utilizing UV/Ozone Resistant Ethylene Propylene O-rings.
- Body components are manufactured from 6262 aluminum alloy then chromate conversion coated for superior corrosion resistance and lubricated to provide easy, non-galling installation.
- Incorporates the "no-twist" feature to prevent twisting of the cable during installation.
- "Positive Stop" eliminates guess-work and assures proper tightening of the connector to cable interface. No torque wrenches or specific tools required.
- Minimal pull back is required for installation which is beneficial in limited access applications.
- Part number stamped on connector for easy identification.

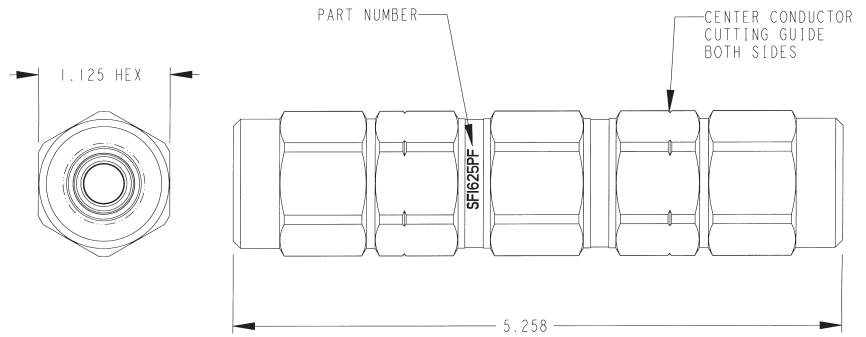


Ordering Information

CATALOG NUMBER	DESCRIPTION	INNER PACK	OUTER PACK
EFI625PF	Entry, 3 Piece, Power Connector	16	128

**20 OHM
 Power Splice Connector
 Three Piece**

Used to join two ends of the same type of cable together. Center conductor seizing and gripping of aluminum sheath are activated independently of each other.



Ordering Information

CATALOG NUMBER	DESCRIPTION	INNER PACK	OUTER PACK
SF1625PF	Splice, 3 Piece, Power Connector	16	124

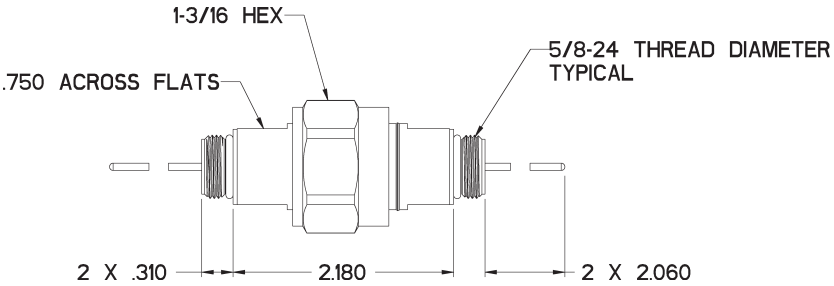


LRC[®] ENTRY TO ENTRY LOCKING ROTATIONAL ADAPTOR

Thomas & Betts ETE625XR Entry to Entry Locking Rotational Adaptor is designed to simplify installation and eliminate craft sensitivity issues associated with jam nuts. This adaptor features 60 different locking positions at 6-degree intervals allowing quick equipment positioning.

- Locking rotation design in 6-degree intervals enables 60 different equipment positions
- Simplified installation - no jam nuts to adjust and no improperly positioned O-rings
- 5/8"-24 Male interface per SCTE IPS-SP-500 and SCTE IPS-SP-501 compliance
- Width of wrench flats on body halves enables easy placement of adjustable wrench
- O-ring sealed center nut is designed to prevent thread engagement before locking feature is engaged
- Terminal "support insulators" are designed to prevent accidental loss
- Incorporates a RoHS compliant, Mil Spec clear finish plus UV resistant O-rings to provide a reliable, environmentally sealed product

<p>PHYSICAL PROPERTIES</p> <ul style="list-style-type: none"> • Body Material: Aluminum • Body Finish: RoHS compliant, Mil Spec Clear Coating • Terminal Material: Brass • Terminal Finish: Silver Plating • Support Insulators: Polyethamide and Methylenene Polymer • O-rings: Ethylene Propylene <p>ELECTRICAL PROPERTIES</p> <ul style="list-style-type: none"> • Return Loss: ≥-30 dB up to 1 GHz • Insertion Loss: ≤-0.25 dB up to 1 GHz • RFI Shielding: -105 dB Typical • Current Rating: 15 Amps min. at 90 Volts AC <p>MECHANICAL PROPERTIES</p> <ul style="list-style-type: none"> • Locking Index: 6° intervals (60 positions) <p>ENVIRONMENTAL PROPERTIES</p> <ul style="list-style-type: none"> • Temperature Rating: -40°F (-40°C) to 140°F (60°C) • Salt Spray Exposure: Passes ASTM B117, 1000 hours • Moisture Migration: Passes ANSI/SCTE 60 2004
--



ORDERING INFORMATION

CATALOG NUMBER	DESCRIPTION	INNER PACK	OUTER PACK
ETE625XR	Entry to Entry Rotational Adaptor	14	56

Please ask your Thomas & Betts representative for a complete catalog of quality Thomas & Betts products or visit us at www.tnb.com. For customer service, call 1-800-685-9452. For technical questions, call 1-888-862-3289.

Thomas & Betts Corporation
 Communications Products Group
 Tel: 800-920-0328 • 901-252-5000
 Fax: 800-283-6756 • 901-252-1380

© 2008 Thomas & Betts Corporation. All rights reserved.

DATA SHEET # CDS-ETE625XR

LRC[®] ENTRY TO ENTRY ADAPTORS 2008
COMPARISON OF FEATURES



	ETE625	ETE625R	ETE625LR	ETE625XR
Rotational	No	Yes	Yes	Yes
Locking Mechanism	None	None	Yes	Yes
Jam Nuts	None	None	Yes	None
Degrees of Rotation	None	360 degrees	360 degrees	360 degrees
Locking Index	None	None	90-degree Intervals	6-degree Intervals
Locking Positions	None	None	4	60



Please ask your Thomas & Betts representative for a complete catalog of quality Thomas & Betts products or visit us at www.tnb.com. For customer service, call **1-800-685-9452**. For technical questions, call **1-888-862-3289**.

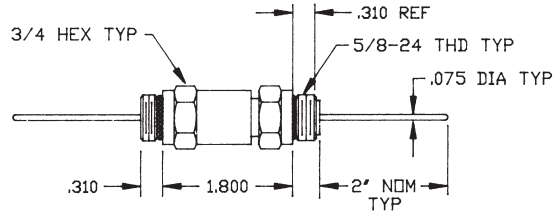
© 2008 Thomas & Betts Corporation. All rights reserved.

Doc REF # CRD-ETE625

Thomas & Betts Corporation
 Communications Products Group
 Tel: 800-920-0328 • 901-252-5000
 Fax: 800-283-6756 • 901-252-1380
Customer Service: 800-685-9452

Entry To Entry

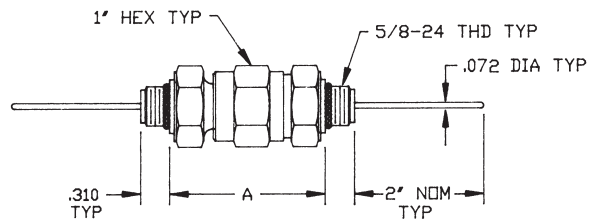
Housing to housing adaptors eliminate the need for jumpers and allow cascading of equipment.



Ordering Information

CATALOG NUMBER	INNER PACK	OUTER PACK
ETE625	18	72

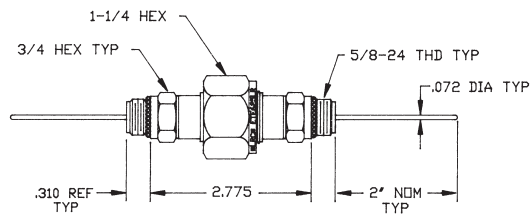
Entry To Entry - Rotational



Ordering Information

CATALOG NUMBER	DIM A	INNER PACK	OUTER PACK
ETE625R	2.055	20	80
ETE625R3	5.171	20	80

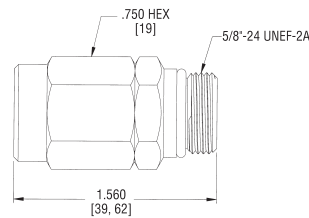
Entry To Entry Locking Rotational



Ordering Information

CATALOG NUMBER	INNER PACK	OUTER PACK
ETE625LR	14	56

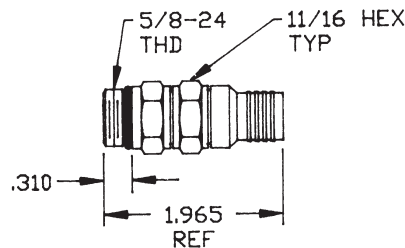
**5/8" - 24 Entry to
11 Series**



Ordering Information

CATALOG NUMBER	DESCRIPTION	INNER PACK	OUTER PACK
EMI11	Entry, Feed Thru Connector, 11 Series	39	624

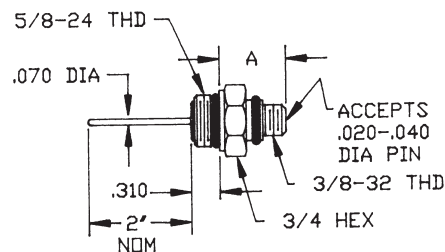
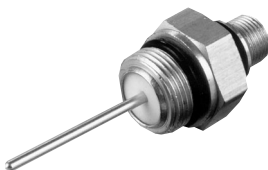
**5/8" - 24 Entry to
11 Series Crimp On**



Ordering Information

CATALOG NUMBER	POST I.D.	COLLAR I.D.	CRIMP SIZE	TOOL†	INNER PACK	OUTER PACK
ECR11	.295	.477	.470	1,2	40	480

**5/8" - 24 Entry to
"F" Female**



Ordering Information

CATALOG NUMBER	DESCRIPTION	DIM A	INNER PACK	OUTER PACK
F625E	"F" Female	.806	40	480
F625BE	"F" Female (AC Block)	.951	40	480
KF625E*	"F" Female, 1 GHz	.941	40	480

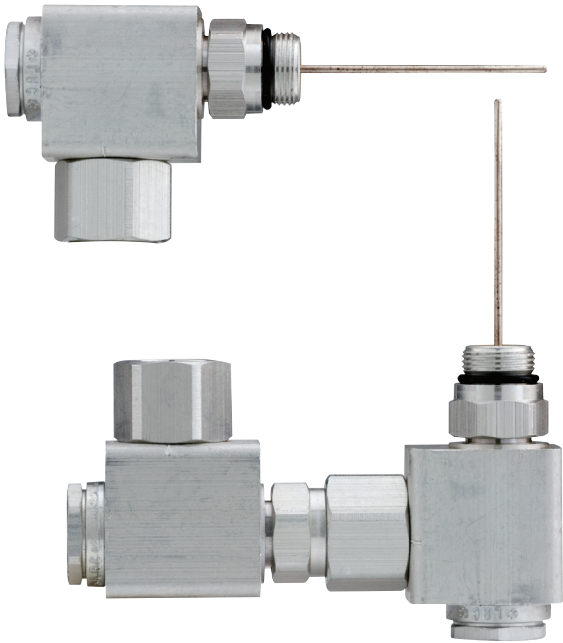
†TOOL: 1 = CT611QS, 2 = CT214

*ACCEPTS .032-.040 DIA. PIN

LRC® AUTO-SEIZE® 90 & 180° ADAPTORS WITH TEST PORTS

Thomas & Betts 90 and 180 degree adaptors with test ports are designed for today's broadband network architectural demands and provide power passing reliability for future cable plant designs. This range of adaptors provides a superior connection and is easy to install, saving time in the field. The integral Auto-Seize mechanism allows for a high seizure force with pin connectors resulting in a more robust mechanical and electrical connection.

- Auto-Seize® grip design provides constant positive pressure to the pins of entry connectors.
- One step installation for entry connectors ensures a solid mechanical and electrical contact. The center conductor seizure screw connection is on longer required.
- The Auto-Seize® feature requires less installation time thus eliminates craft and sensitivity issues.
- Superior power capability up to 15 Amps minimum.
- The adaptor is environmentally sealed utilizing UV Ozone Resistant Ethylene Propylene O-rings.
- 5/8"-24 male/female interface.
- Test port allows access for voltage and signal level measurements.



PHYSICAL PROPERTIES

- Body Components: Aluminum Alloy
- Body Finish: Chromate Conversion Coating
- Terminal: Brass, Silver Plate
- Entry Support: Ultem
- O-Rings: Ethylene Propylene

ELECTRICAL PROPERTIES

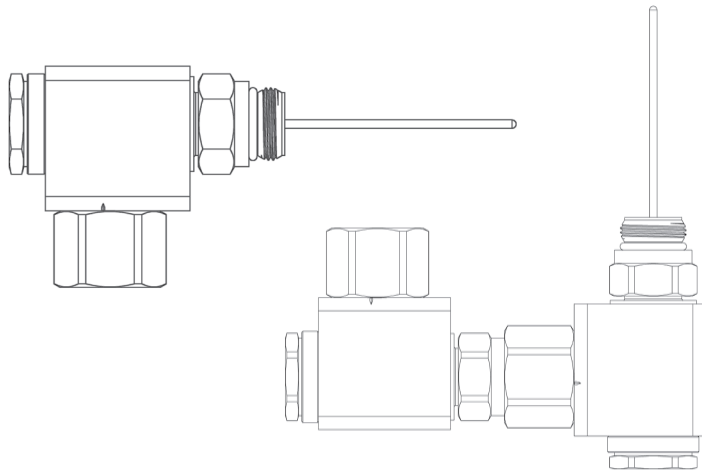
- Current Rating: 15 Amps
- Insulation Resistance: >20 Gigaohms @ 1,000 Volts
- Breakdown Voltage: 2.4 Kv
- Dielectric Strength: Complies to Bellcore GR-2846-CORE, Generic Requirements for Coaxial Distribution Connectors
- Return Loss: -30dB Typical
- Insertion Loss: -0.2 dB Typical
- RFI Shielding: -105 dB Typical

MECHANICAL PROPERTIES

- Entry Pin Insertion Force: 0
- Entry Pin Retention Force: 50 lbs Typical

ENVIRONMENTAL PROPERTIES

- Temperature Rating: -40°F (-40°C) to 140°F (60°C)
- Salt Spray Exposure: Complies to Bellcore GR-2846-CORE, Generic Requirements for Coaxial Distribution Connectors



ORDERING INFORMATION

CATALOG NUMBER	DESCRIPTION	INNER PACK	OUTER PACK
LRC® AUTO-SEIZE® 90 & 180 DEGREE ADAPTORS WITH TEST PORTS			
EU90AST	90 degree Adaptor	8	96
EU90AST3	90 degree Adaptor with 3" Extension	8	64
EU180AST	180 degree Adaptor	8	64
EU180AST3	180 degree Adaptor with 3" Extension	8	64

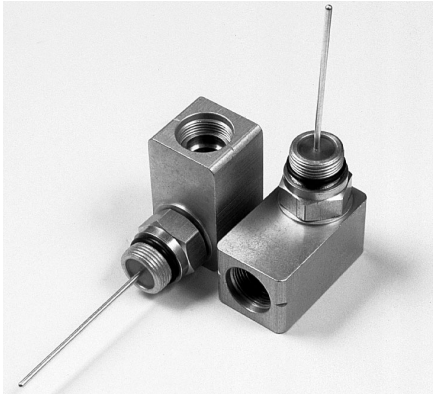
Please ask your Thomas & Betts representative for a complete catalog of quality Thomas & Betts products or visit us at www.tnb.com. For customer service, call **1-800-685-9452**. For technical questions, call **1-888-862-3289**.

© 2007 Thomas & Betts Corporation. All rights reserved.

DATA SHEET # CDS-LRCAD90/180

Thomas & Betts Corporation
Communications Products Group
Tel: 800-920-0328 • 901-252-5000
Fax: 800-283-6756 • 901-252-1380

Precision, Auto Seize, 90° Adaptor



The adaptor is designed to provide a superior connection and is the easiest to install, saving time in the field. The adaptor's design allows for a high seizure force with pin connectors resulting in a more robust mechanical and electrical connection. It provides one GigaHertz performance and power passing reliability for future cable plant designs.

DESIGN ADVANTAGES

- The auto seize feature requires less installation time thus eliminates craft sensitivity issues.
- One step installation for entry connectors ensures a solid mechanical and electrical contact. The center conductor seizure screw connection is no longer required.
- Superior power capability up to 15 Amps.
- The adaptor is environmentally sealed utilizing UV Ozone Resistant Ethylene Propylene O-rings.
- 5/8"-24 male/female interface complies with SCTE IPS-SP-500 and IPS-SP-501.

PROPERTIES

PHYSICAL

BODY COMPONENTS: ALUMINUM 6262 ALLOY
 BODY FINISH: CHROMATE CONVERSION COATING WITH DRY THIN FILM LUBRICANT
 TERMINAL: BRASS CDA360, SILVER PLATED
 ENTRY SUPPORT: ULTEM 1000, TPX
 O-RINGS: ETHYLENE PROPYLENE

ELECTRICAL

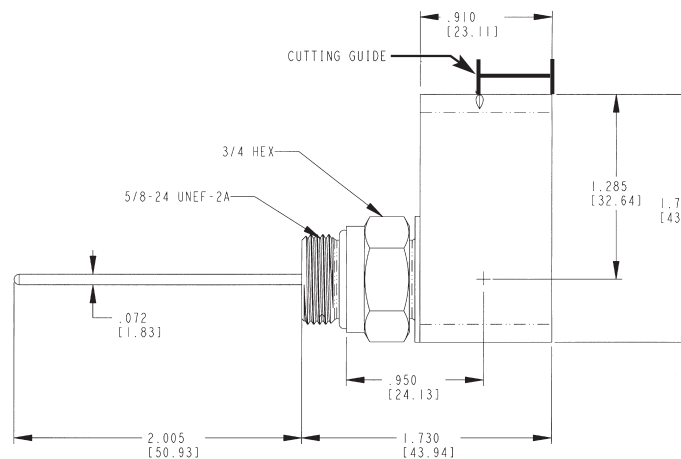
CURRENT RATING: 15 AMPS AT 90 VOLTS AC AT 122° F (50° C)
 INSULATION RESISTANCE: >20 GIGAOHMS @ 1,000 VOLTS
 BREAKDOWN VOLTAGE: 2.4 Kv
 DIELECTRIC STRENGTH: COMPLIES TO BELLCORE GR-2846-CORE, GENERIC REQUIREMENTS FOR COAXIAL DISTRIBUTION CONNECTORS
 RETURN LOSS: -31 dB TYPICAL
 INSERTION LOSS: -.1 dB TYPICAL
 RFI SHIELDING: -105 dB TYPICAL

MECHANICAL

ENTRY PIN INSERTION FORCE: 0
 ENTRY PIN RETENTION FORCE: 50 LBS. TYPICAL

ENVIRONMENTAL

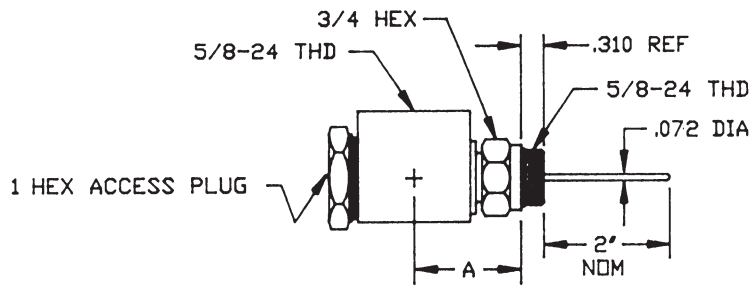
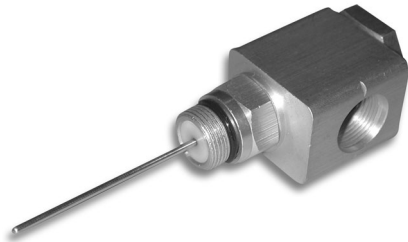
TEMPERATURE RATING: -40° F (-40° C) TO 140° F (60° F)
 SALT SPRAY (FOG) EXPOSURE: COMPLIES TO BELLCORE GR-2846-CORE, GENERIC REQUIREMENTS FOR COAXIAL DISTRIBUTION CONNECTORS
 INTERFACE MOISTURE MIGRATION: COMPLIES TO SCTE STANDARD IPS-TP-013



Ordering Information

CATALOG NUMBER	DESCRIPTION	INNER PACK	OUTER PACK
EU90AS	Precision, Auto Seize, 90° Adaptor	24	192

90° or Right Angle Adaptor

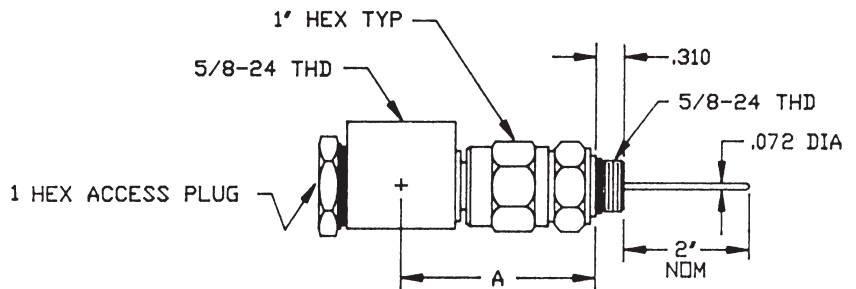


Ordering Information

CATALOG NUMBER	DIM A	INNER PACK	OUTER PACK
EU90	1.185	16	128
EU903	2.435	16	128
EU9045	3.435	16	64
EU906	5.685	16	64

ACCEPTS CENTER CONDUCTOR SIZE UP TO .185

Rotational Right Angle Adaptor

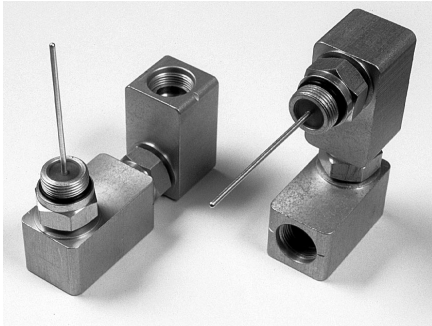


Ordering Information

CATALOG NUMBER	DIM A	INNER PACK	OUTER PACK
EU90R	2.305	16	128
EU90R3	5.420	16	128

ACCEPTS CENTER CONDUCTOR SIZE UP TO .185

Precision, Auto Seize 180° Adaptor



PROPERTIES

PHYSICAL

BODY COMPONENTS: ALUMINUM 6262 ALLOY
 BODY FINISH: CHROMATE CONVERSION COATING WITH DRY THIN FILM LUBRICANT
 TERMINAL: BRASS CDA360, SILVER PLATED
 ENTRY SUPPORT: ULTEM 1000, TPX
 O-RINGS: ETHYLENE PROPYLENE

ELECTRICAL

CURRENT RATING: 15 AMPS AT 90 VOLTS AC AT 122° F (50° C)
 INSULATION RESISTANCE: >20 GIGAOHMS @ 1,000 VOLTS
 BREAKDOWN VOLTAGE: 2.4 KV
 DIELECTRIC STRENGTH: COMPLIES TO BELLCORE GR-2846-CORE, GENERIC REQUIREMENTS FOR COAXIAL DISTRIBUTION CONNECTORS
 RETURN LOSS: -31 dB TYPICAL
 INSERTION LOSS: -.15 dB TYPICAL
 RFI SHIELDING: -105 dB TYPICAL

MECHANICAL

ENTRY PIN INSERTION FORCE: 0
 ENTRY PIN RETENTION FORCE: 50 LBS. TYPICAL

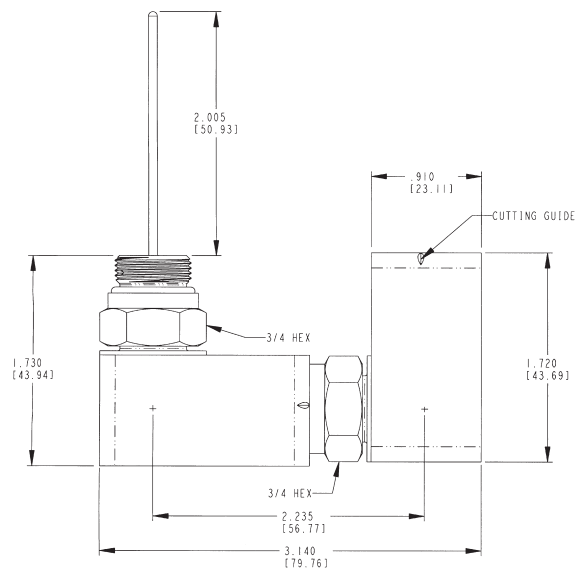
ENVIRONMENTAL

TEMPERATURE RATING: -40° F (-40° C) TO 140° F (60° F)
 SALT SPRAY (FOG) EXPOSURE: COMPLIES TO BELLCORE GR-2846-CORE, GENERIC REQUIREMENTS FOR COAXIAL DISTRIBUTION CONNECTORS
 INTERFACE MOISTURE MIGRATION: COMPLIES TO SCTE STANDARD IPS-TP-013

Thomas & Betts' 180 degree adaptor is designed to provide a superior connection and is the easiest to install, saving time in the field. The adaptor's design allows for a high seizure force with pin connectors resulting in a more robust mechanical and electrical connection. It provides one GigaHertz performance and power passing reliability for future cable plant designs.

DESIGN ADVANTAGES

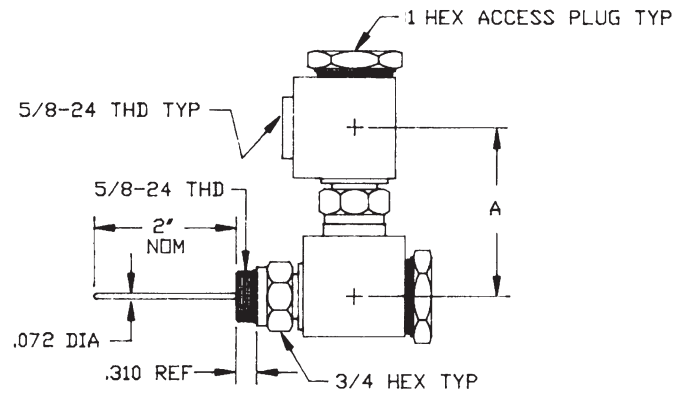
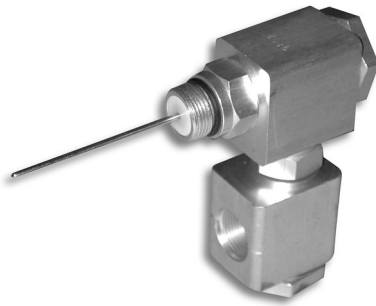
- The auto seize feature requires less installation time thus eliminates craft sensitivity issues.
- One step installation for entry connectors ensures a solid mechanical and electrical contact. The center conductor seizure screw connection is no longer required.
- Superior power capability up to 15 Amps.
- The adaptor is environmentally sealed utilizing UV Ozone Resistant Ethylene Propylene O-rings.
- 5/8"-24 male/female interface complies with SCTE IPS-SP-500 and IPS-SP-501.



Ordering Information

CATALOG NUMBER	DIM A	INNER PACK	OUTER PACK
EU180AS	2.235	8	64
EU180AS3	3.270	8	64

180° Adaptor



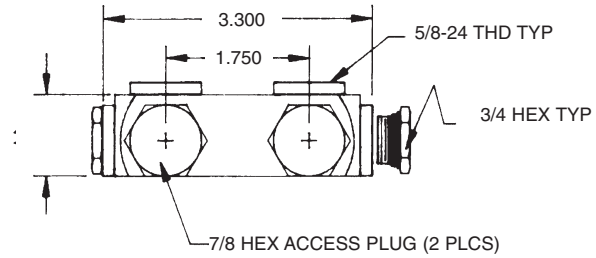
Ordering Information

CATALOG NUMBER	DIM A	INNER PACK	OUTER PACK
EU180	1.990	8	64
EU1803	3.270	8	64
EU18045	4.265	8	32

ACCEPTS CENTER CONDUCTOR SIZE UP TO .185

Housing Splice Block

Housing splice blocks allow through splicing, right angle turns and in-line pedestal turns of two connectors. Interior contact design allows for high power passing capability and excellent return loss characteristics up to 1 GHz.



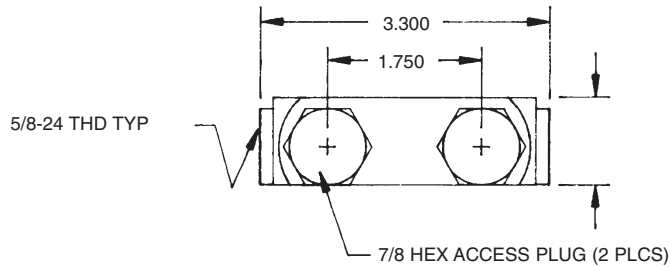
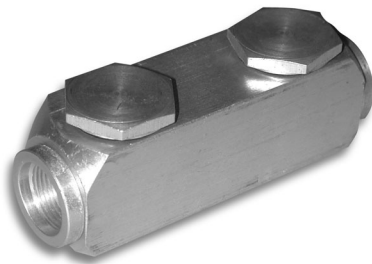
Ordering Information

CATALOG NUMBER	DESCRIPTION	INNER PACK	OUTER PACK
HSB	—	15	120
HSBGD	Grounding Lug Feature	12	96

ACCEPTS CENTER CONDUCTOR SIZE UP TO .185

Through Splice Block

Through splice blocks allow for through splicing of two connectors only. Both can be used for splicing like or different size cable. Interior contact design allows for high power passing capability and excellent return loss characteristics up to 1 GHz.

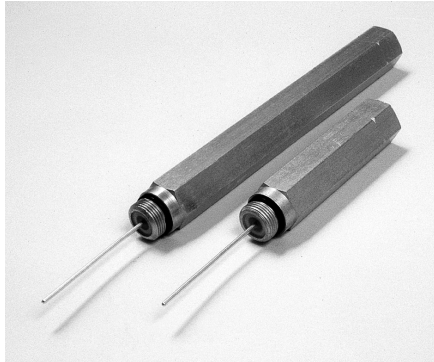


Ordering Information

CATALOG NUMBER	DESCRIPTION	INNER PACK	OUTER PACK
TSB	—	19	125

ACCEPTS CENTER CONDUCTOR SIZE UP TO .185

Precision, Auto Seize Extension Adaptors



These adaptors provide a means to extend any pin connector 3" or 6" where additional length is required. The adaptors' design provides a high seizure force to pin connectors for a robust mechanical and electrical connection. The adaptors are the easiest to install, saving time, while providing one GigaHertz performance and power passing reliability for future cable plant designs. The auto seize feature requires less installation time thus eliminates craft sensitivity issues.

DESIGN ADVANTAGES

- One step installation for entry connectors ensures a solid mechanical and electrical contact.
- High frequency performance with return loss rating of -31 dB minimum up to 1 GHz.
- Adaptors are environmentally sealed utilizing UV Ozone Resistant Ethylene Propylene O-rings.
- 5/8"-24 male/female interface complies with SCTE IPS-SP-500 and IPS-SP-501.

PROPERTIES

PHYSICAL

BODY COMPONENTS: ALUMINUM 6262 ALLOY
 BODY FINISH: CHROMATE CONVERSION COATING WITH DRY THIN FILM LUBRICANT
 TERMINAL: BRASS CDA360, SILVER PLATED
 ENTRY SUPPORT: ULTEM 1000, DELRIN, TFX
 O-RINGS: ETHYLENE PROPYLENE

ELECTRICAL

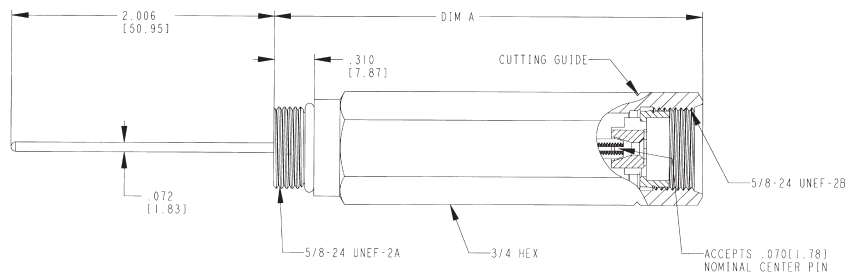
CURRENT RATING: 15 AMPS AT 90 VOLTS AC AT 122° F (50° C)
 INSULATION RESISTANCE: >20 GIGAOHMS @ 1,000 VOLTS
 BREAKDOWN VOLTAGE: >2.4 Kv
 DIELECTRIC STRENGTH: COMPLIES TO BELLCORE GR-2846-CORE, GENERIC REQUIREMENTS FOR COAXIAL DISTRIBUTION CONNECTORS
 RETURN LOSS: -33 dB TYPICAL
 INSERTION LOSS: -.1 dB TYPICAL
 RFI SHIELDING: -105 dB TYPICAL

MECHANICAL

ENTRY PIN INSERTION FORCE: 0
 ENTRY PIN RETENTION FORCE: 50 LBS. TYPICAL

ENVIRONMENTAL

TEMPERATURE RATING: -40° F (-40° C) TO 140° F (60° F)
 SALT SPRAY (FOG) EXPOSURE: COMPLIES TO BELLCORE GR-2846-CORE, GENERIC REQUIREMENTS FOR COAXIAL DISTRIBUTION CONNECTORS
 INTERFACE MOISTURE MIGRATION: COMPLIES TO SCTE STANDARD IPS-TP-013



Ordering Information

CATALOG NUMBER	DESCRIPTION	INNER PACK	OUTER PACK
EXTAS3	Precision, Auto Seize Extension, 3"	20	160
EXTAS6	Precision, Auto Seize Extension, 6"	20	80

1.720
[43.64]

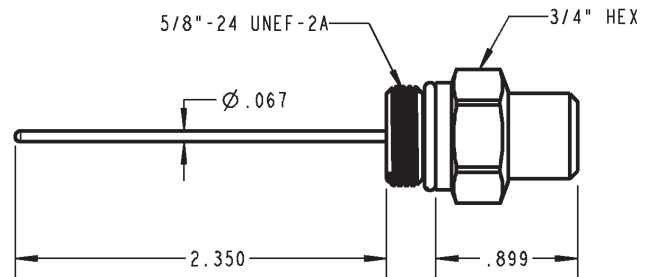
HIGH VOLTAGE TERMINATOR

DESIGN ADVANTAGES

- Designed for present and future two-way broadband RF networks using 60 volt, 90 volt, or greater power supplies
- Exceptional return loss performance throughout the RF spectrum from 5 MHz to 1 GHz
- Corrosion resistant tin-plated brass body construction
- Reliable soldered connections for the prevention of intermodulation conditions



625TRBHV



PHYSICAL PROPERTIES

- Body Components: Brass
- Body Finish: Bright Tin Plate
- Terminal/contact: Brass CDA 360 with Silver/Copper plate
- Insulators: Ultem

ELECTRICAL PROPERTIES

- Voltage Spike: Exceeds requirements for IEEE C62-41 6 kV pulse test.
- Return Loss: -25 dB between 5 – 1000 MHz Typical
- RFI Shielding: -103 dB between 5 – 500 MHz Typical

ENVIRONMENTAL PROPERTIES

- Temperature Rating: -20°F (-28°C) to 140°F (60°C)
- Salt Spray Exposure: Exceeds requirements of Bellcore GR-2846-CORE
- Water Submersion: Complies to Bellcore GR-2846-CORE

CATALOG #	TERMINATION	DESCRIPTION	INNER PACK	OUTER PACK
HIGH VOLTAGE TERMINATOR				
625TRBHV	75 Ohm	AC Blocking Feature, High Voltage	20	240

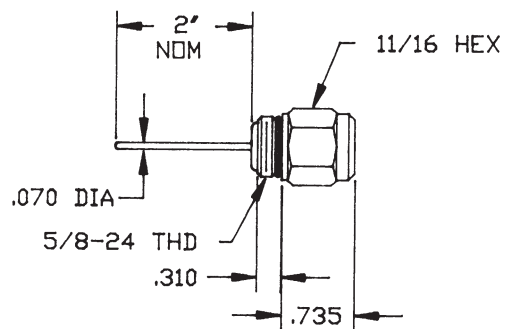
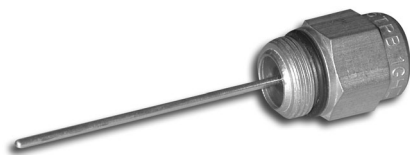
Please ask your Thomas & Betts representative for a complete catalog of quality Thomas & Betts products or visit us at www.tnb.com. For customer service, call **1-800-685-9452**. For technical questions, call **1-888-862-3289**.

© 2006 Thomas & Betts Corporation. All rights reserved.

DATA SHEET # CCDDS400

Thomas & Betts Corporation
 Communications Products Group
 Tel: 800-920-0328 • 901-252-5000
 Fax: 800-283-6756 • 901-252-1389

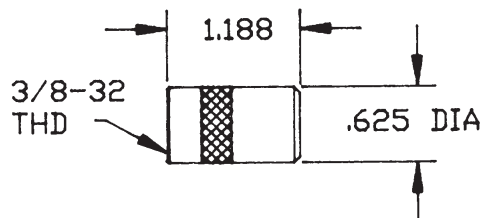
Housing Terminator



Ordering Information

CATALOG NUMBER	TERMINATION	DESCRIPTION	INNER PACK	OUTER PACK
625TRB	75 Ohm	AC Blocking Feature	50	600

Terminator



Ordering Information

CATALOG NUMBER	TERMINATION	DESCRIPTION	INNER PACK	OUTER PACK
TRFS	75 Ohm	-	40	320
TRBF	75 Ohm	AC Blocking Feature	40	320

USED WITH CABLE TO "F" FEMALE ADAPTORS



LRC[®] ADAPTOR FEMALE TO FEMALE 5/8"-24, WITH AUTO-SEIZE[®]

The Thomas & Betts LRC[®] KSFAS Universal Female Adaptor simplifies cable splicing by using readily available entry connectors.

The KSFAS joins any two 5/8"-24 male entry connectors using an integral Auto-Seize[®] feature which automatically grips the center pins upon connector installation.

- The auto seize feature requires less installation time thus eliminates craft sensitivity issues.
- One step installation for entry connectors ensures a solid mechanical and electrical contact.
- The adaptor is environmentally sealed utilizing UV Ozone Resistant Ethylene Propylene O-rings.
- 5/8"-24 Female interface complies with ANSI/SCTE 91 2004 (formerly SCTE IPS-SP-500).
- Reduces inventory. One size fits all 5/8"-24 threads.
- Can be used to splice together two of the same or different size pin type entry connectors.

PHYSICAL PROPERTIES

- Body, Nut, and Terminal Components: Brass
- Body and Nut Finish: Nickel-Tin
- Terminal Finish: Silver over Copper
- O-rings: Ethylene Propylene

ELECTRICAL PROPERTIES

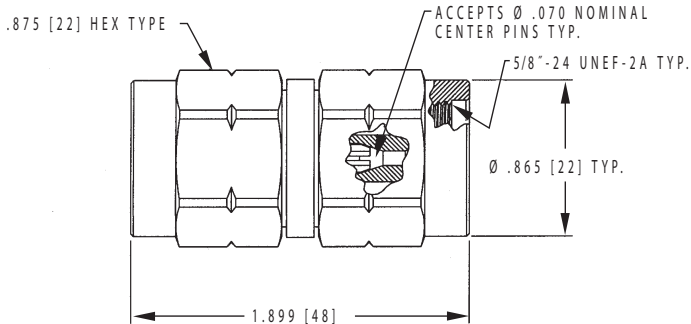
- Current Rating: 25 Amps at 90 Volts AC at 122°F (50°C)
- Insulation Resistance: >20 GigaOhms @ 1,000 Volts
- Breakdown Voltage: >2.4 KV.
- Dielectric Strength: Compiles to Bellcore, GR-2846-CORE, Generic Requirements for Coaxial Distribution Connectors
- Return Loss: -30 dB. Typical
- Insertion Loss: -0.1 dB. Typical
- RFI Shielding: -105 dB. Typical.

MECHANICAL PROPERTIES

- Entry Pin Insertion Force: 0 lbs.
- Entry Pin Retention Force: 50 lbs. Typical.

ENVIRONMENTAL PROPERTIES

- Temperature Rating: -40°F(-40°C) to 140°F(60°C)
- Salt Spray (Fog) Exposure Complies to Bellcore, GR-2846-CORE, Generic Requirements for Coaxial Distribution Connectors
- Interface Moisture Migration: Complies to ANSI/SCTE 60 2004 Standards (Formerly SCTE-TP-013)



ORDERING INFORMATION

CATALOG NUMBER	DESCRIPTION	INNER PACK	OUTER PACK
KSFAS	5/8"-24 Female to Female Adaptor, Auto-Seize [®]	25	100

Please ask your Thomas & Betts representative for a complete catalog of quality Thomas & Betts products or visit us at www.tnb.com. For customer service, call 1-800-685-9452. For technical questions, call 1-888-862-3289.

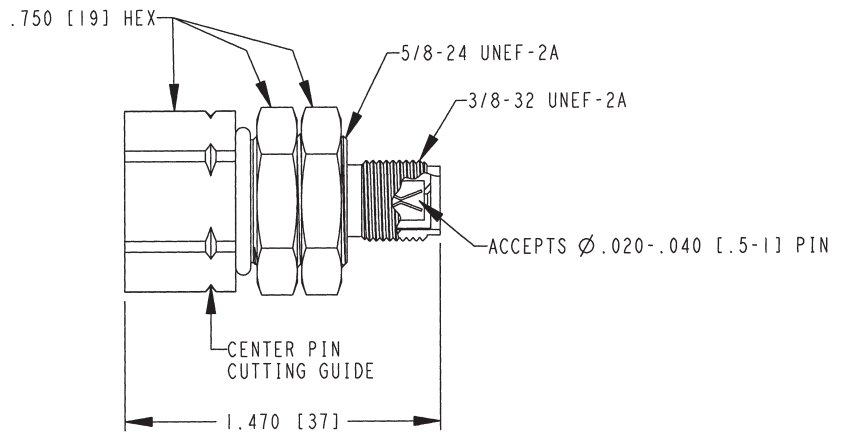
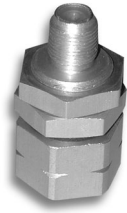
Thomas & Betts Corporation
Communications Products Group
Tel: 800-920-0328 • 901-252-5000
Fax: 800-283-6756 • 901-252-1380

© 2007 Thomas & Betts Corporation. All rights reserved.

DATA SHEET # CDS-KSFAS

5/8"-24 Female to "F" Female Adaptors

5/8"-24 Female to "F" Female Adaptor



Ordering Information

CATALOG NUMBER	DESCRIPTION	INNER PACK	OUTER PACK
BAFF	5/8"-24 Female to "F" Female Adaptor	39	468

**5/8"-24 Male to Female
Adaptor, Rotational**



The 5/8"-24 Male to Female Rotational Adaptors have been designed to interface between equipment housings and pin type connectors. The design allows for easy "cable to equipment" disconnect without having to remove the pin connector from the cable. The adaptors are also ideal for use with connectors installed on flooded compound cables as with QUANTUM REACH® cable thus eliminating the potential for jacket material shrink-back.

DESIGN ADVANTAGES

- Pin size selected for maximum flexibility for most equipment seizing mechanisms.
- Pin terminal is made of high-quality silver plated brass for superior electrical conductivity and maximum center conductor retention.
- Entry pin connector cutting guide is built into the adaptors for reliable and repeatable installations.
- Utilizes standard 5/8"-24 entry port threads.
- The adaptors are environmentally sealed utilizing UV/Ozone Resistant Ethylene Propylene O-rings.
- Part number stamped on adaptors for easy identification.

PROPERTIES

PHYSICAL

BODY, NUT AND TERMINAL COMPONENTS: BRASS
CDA360 HH
BODY AND NUT FINISH: ELECTROLESS NICKEL OVER COPPER
TERMINAL FINISH: SILVER OVER COPPER FLASHING
LOCKING RING: PHOSPHOR BRONZE
INSULATOR: TEFLON
O-RINGS: ETHYLENE PROPYLENE

ELECTRICAL

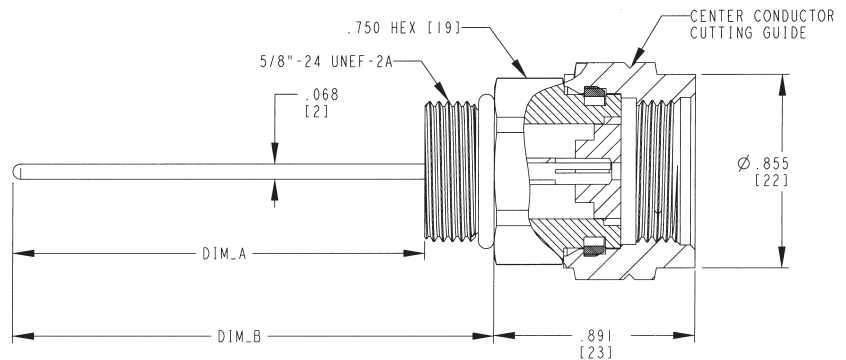
RETURN LOSS: -38 dB TYPICAL
INSERTION LOSS: -.13 dB TYPICAL
RFI SHIELDING: -.105 dB TYPICAL
BREAKDOWN VOLTAGE: 30 Kv
DIELECTRIC STRENGTH: COMPLIES TO BELLCORE, GR-2846-CORE, GENERIC REQUIREMENTS FOR COAXIAL DISTRIBUTION CONNECTORS
CURRENT RATING: 15 AMP
INSULATION RESISTANCE: 200 GIGAOHMS @ 1,000 VOLTS

MECHANICAL

ENTRY PIN CONNECTOR INSERTION FORCE: 6.5LBS. TYPICAL WITH .068 PIN
ENTRY PIN CONNECTOR RESISTANCE FORCE: 5LBS. TYPICAL WITH .068 PIN
ENTRY PIN CONNECTOR RETENTION FORCE: 125LBS. TYPICAL

ENVIRONMENTAL

TEMPERATURE RATING: -40° F (-40° C) TO 140° F (60° C)
SALT SPRAY (FOG) EXPOSURE: COMPLIES TO BELLCORE, GR-2846-CORE, GENERIC REQUIREMENTS FOR COAXIAL DISTRIBUTION CONNECTORS



Ordering Information

CATALOG NUMBER	DIM A	DIM B	INNER PACK	OUTER PACK
KSMASR	1.822 [46]	2.132 [54]	20	160
KSMASRC	.740 [19]	1.051 [27]	20	160

LRC®

UNIVERSAL "F" TO HARDLINE AUTO-SEIZE® ADAPTORS

Thomas & Betts LRC® AFMAS and BAFFAS universal adaptors are designed to provide a standard male or female "F" interface from any 5/8"-24 hardline connector.

The AFMAS adaptor is designed for adapting standard 5/8" hardline connectors to an "F" male interface; the BAFFAS adaptor converts standard 5/8" hardline connectors to an "F" female interface, and is designed to be mounted to a bulkhead.

- Adapts 5/8"-24 entry pin connectors to standard "F" female and "F" male 3/8"-32 interface.
- Utilizes auto-seize mechanism on 5/8"-24 female port.
- Body components are manufactured from aluminum alloy, then coated for corrosion resistance and lubricated to provide easy, non-galling installation.
- Auto-seize terminal is made of high-quality, silver-plated brass for superior RF electrical conductivity and maximum center conductor retention.
- Center conductor cutting guide is built into the connector for reliable and repeatable installations.
- "Positive Stop" eliminates guesswork and assures proper tightening of the connector to adaptor interface.
- Part number stamped on adaptor for ease of identification.

PHYSICAL PROPERTIES

- Body Components: Aluminum
- Terminal: Brass Silver Plated
- Closing Collar: Polyetherimide
- Pin Support: Polyetherimide
- O-Rings: Ethylene Propylene

ELECTRICAL PROPERTIES

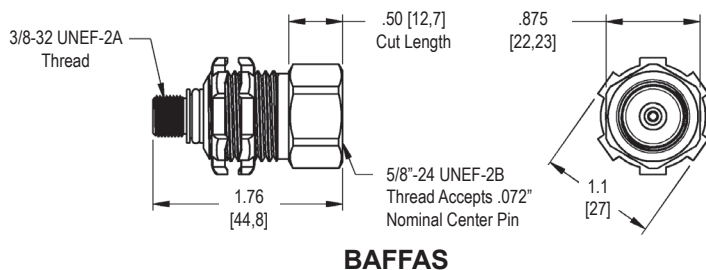
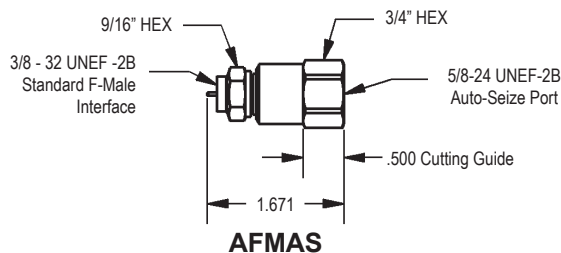
- Current Rating: 15 Amps at 90 Volts AC at 122° F (50° C)
- Insulation Resistance: >20 Gigaohms at 1,000 Volts
- Dielectric Strength: Complies to Bellcore GR-2846-CORE, Generic Requirements for Coaxial Distribution Connectors (1Kv rms for 1 minute)
- Return Loss: -30 dB Typical
- Insertion Loss: -.3 dB Typical
- RFI Shielding: -100 dB Typical

MECHANICAL PROPERTIES

- Entry Pin Insertion Force: 0
- Entry Pin Retention Force: 50 lbs. Typical

ENVIRONMENTAL PROPERTIES

- Temperature Rating: -40°F (-40°C) to 140°F (60°C)
- Salt Spray (Fog) Exposure: Complies to Bellcore GR-2846-CORE, Generic Requirements for Coaxial Distribution Connectors
- Interface Moisture Migration: Complies to SCTE Standard IPS-TP-013



ORDERING INFORMATION

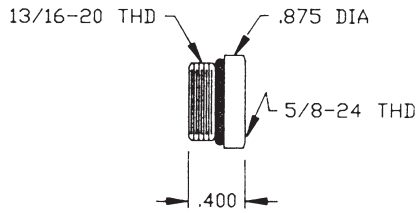
CATALOG NUMBER	DESCRIPTION	MINIMUM ORDER QUANTITY
LRC® UNIVERSAL "F" TO HARDLINE AUTO-SEIZE® ADAPTORS		
AFMAS	Universal "F" Male to Hardline Adaptor	40
BAFFAS	Universal "F" Male to "F" Female Hardline Adaptor	10

Please ask your Thomas & Betts representative for a complete catalog of quality Thomas & Betts products or visit us at www.tnb.com. For customer service, call **1-800-685-9452**. For technical questions, call **1-888-862-3289**.

Thomas & Betts Corporation
 Communications Products Group
 Tel: 800-920-0328 • 901-252-5000
 Fax: 800-283-6756 • 901-252-1380

5/8"-24 Adaptor

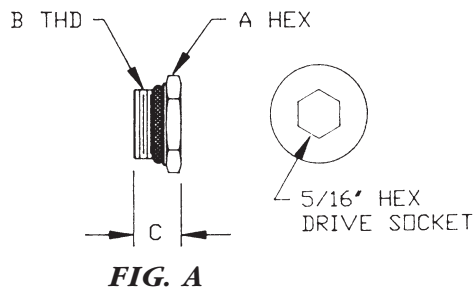
A variety of replacement plugs and caps for equipment and connector adaptors are available.



Ordering Information

CATALOG NUMBER	DESCRIPTION	INNER PACK	OUTER PACK
KS625	Adaptor, 13/16-20 to 5/8-24	50	1200

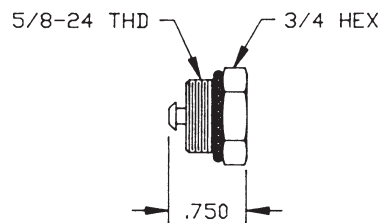
Plug with "O" Ring



Ordering Information

CATALOG NUMBER	FIG.	DESCRIPTION	DIMENSION			INNER PACK	OUTER PACK
			A	B	C		
625P	A	Plug With "O" Ring	3/4	5/8-24	.400	100	1500
625HP	B	Plug With "O" Ring	3/4	5/8-24	.360	1	1
750P	A	Plug, Hex With "O" Ring	7/8	3/4-24	.345	100	1200

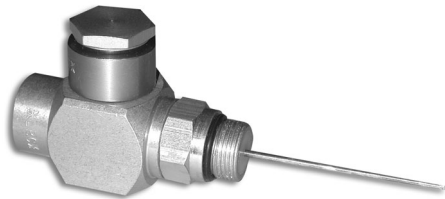
Distribution Amplifier Plug



Ordering Information

CATALOG NUMBER	DESCRIPTION	INNER PACK	OUTER PACK
115642	Distribution Amplifier Plug	1	1000

By-Pass Port Adaptor



Thomas & Betts LRC® Bypass Port Adaptor provides a method of directing signals and power around CATV active and passive equipment. The adaptor is installed on select equipment to allow the signal and power to be bypassed without interruption of service. Functioning with flexible “male to male”, pogo pin style cable adaptors, the adaptor provides a simple, fast, and cost-effective method to bypass equipment so that routine maintenance or upgrades can be performed without interrupting service to subscribers. When connected between the equipment and 5/8” (1.587 cm) -24 pin type entry connectors, the adaptor’s auto seize mechanism provides a robust mechanical and electrical connection providing one GHz performance and power passing reliability.

PROPERTIES

PHYSICAL

BODY COMPONENTS: ALUMINUM 6262 ALLOY
 BODY FINISH: CHROMATE CONVERSION COATING
 TERMINAL: BRASS CDA360, SILVER PLATED
 ENTRY SUPPORT: ULTEM 1000, TPX
 O-RINGS: ETHYLENE PROPYLENE

ELECTRICAL

CURRENT RATING: 15 AMPS AT 90 VOLTS AC AT 122° F (50° C)
 INSULATION RESISTANCE: >20 GIGAOHMS @ 1,000 VOLTS
 DIELECTRIC STRENGTH: COMPLIES TO BELLCORE GR-2846-CORE, GENERIC REQUIREMENTS FOR COAXIAL DISTRIBUTION CONNECTORS (1 Kv RMS FOR 1 MINUTE)
 RETURN LOSS: -31 dB TYPICAL
 INSERTION LOSS: -.1 dB TYPICAL
 RFI SHIELDING: -105 dB TYPICAL

MECHANICAL

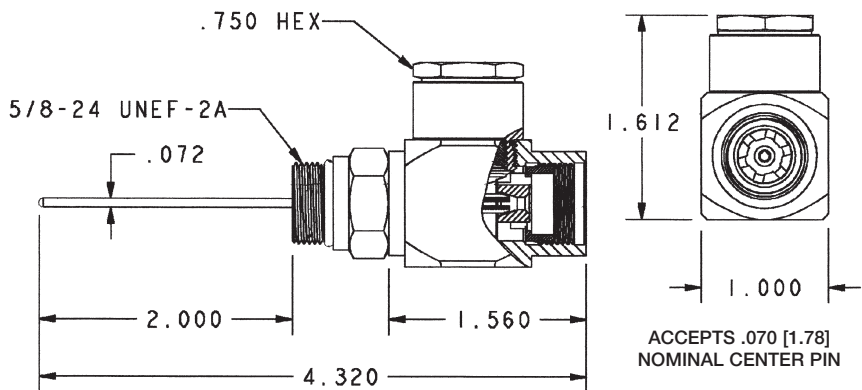
ENTRY PIN INSERTION FORCE: 0 LBS. (0 KG.)
 ENTRY PIN RETENTION FORCE: 50 LBS. (22.7 KG) TYPICAL

ENVIRONMENTAL

TEMPERATURE RATING: -40° F (-40° C) TO 140° F (60° C)
 SALT SPRAY (FOG) EXPOSURE: COMPLIES TO BELLCORE GR-2846-CORE, GENERIC REQUIREMENTS FOR COAXIAL DISTRIBUTION CONNECTORS
 INTERFACE MOISTURE MIGRATION: COMPLIES TO SCTE STANDARD IPS-TP-013

DESIGN ADVANTAGES

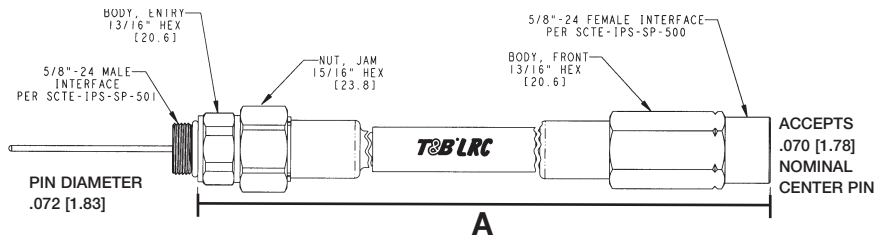
- Permanently installed on equipment to provide quick and easy access.
- Cost effective method to maintain service integrity to the end user.
- Utilizes patented auto seize design which provides constant positive pressure to pins of entry connectors.
- High frequency performance with return loss rating of -31 dB minimum up to 1 GHz.
- Superior power capability up to 15 Amps minimum.
- Environmentally sealed utilizing UV Ozone Resistant Ethylene Propylene O-rings.
- 5/8” (1.587 cm) -24 female bypass port.



Ordering Information

CATALOG NUMBER	DESCRIPTION	INNER PACK	OUTER PACK
EXTAS2BP	By-Pass Port Adaptor	12	12

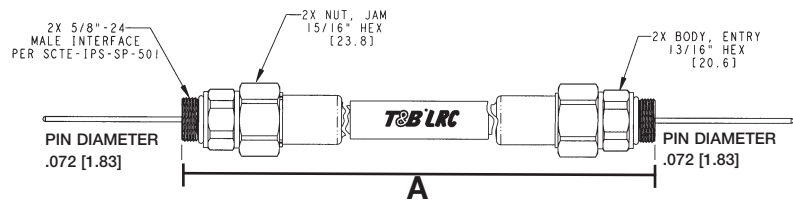
Male to Female
Flexible Cable Adaptors



Ordering Information

CATALOG NUMBER	INCH	DIM A [CM]	INNER PACK	OUTER PACK
J11KSMF15	16.95	[43.00]	1	75
J11KSMF25	26.60	[67.60]	1	50
J11KSMF30	31.45	[79.90]	-	1
J11KSMF40	38.70	[98.30]	1	50
J11KSMF50	50.80	[129.00]	30	30
J11KSMF65	62.90	[159.75]	1	25
J11KSMF75	75.00	[190.50]	-	1
J11KSMF85	87.10	[221.20]	-	1
J11KSMF100	99.20	[251.95]	-	4
J11KSMF140	147.55	[374.80]	-	1
J11KSMF160	166.90	[424.00]	-	1
J11KSMF220	224.95	[571.40]	-	1
J11KSMF360	360.45	[915.55]	-	1
J11KSMF1800	1802.15	[4577.50]	-	1

Male to Male
Flexible Cable Adaptors



Ordering Information

CATALOG NUMBER	INCH	DIM A [CM]	INNER PACK	OUTER PACK
J11KSMM15	13.80	[35.00]	1	75
J11KSMM25	26.00	[66.00]	1	50
J11KSMM30	30.75	[78.10]	1	30
J11KSMM40	38.00	[96.50]	1	30
J11KSMM50	50.10	[127.25]	-	50
J11KSMM65	62.20	[158.00]	-	1
J11KSMM75	74.30	[188.70]	-	1
J11KSMM85	86.40	[219.50]	1	30
J11KSMM100	96.00	[243.80]	1	8
J11KSMM140	146.90	[373.00]	-	1
J11KSMM160	166.20	[422.20]	-	1
J11KSMM220	224.30	[569.70]	-	1
J11KSMM360	359.70	[913.55]	-	1
J11KSMM1800	1801.50	[4575.70]	-	1