

PLEASE CHECK WWW.MOLEX.COM FOR LATEST PART INFORMATION

Part Number: [0051252012](#)
Status: **Active**
Overview: LFH™ Interconnect System
Description: 1.27mm Pitch LFH™ Matrix 50 Receptacle Cable Kit, Terminal Stick, 15 Circuits

Documents:

[3D Model](#) [Product Specification PS-70928 \(PDF\)](#)
[Drawing \(PDF\)](#) [RoHS Certificate of Compliance \(PDF\)](#)

General

Product Family I/O Connectors
Series 70985
Application Wire-to-Board
Comments Trim Length 5.46mm
Component Type Receptacle
Overview LFH™ Interconnect System
Product Name LFH™
Type N/A
UPC 800754387644

Physical

Circuits (Loaded) 15
Circuits (maximum) 15
Lock to Mating Part None
Material - Metal Beryllium Copper
Material - Plating Mating Gold
Material - Plating Termination Tin
Net Weight 0.860/g
Orientation Vertical
PCB Retention N/A
Packaging Type Tray
Panel Mount No
Pitch - Mating Interface 1.27mm
Pitch - Termination Interface 1.27mm
Plating min - Mating 0.762µm
Plating min - Termination 2.540µm
Polarized to Mating Part Yes
Surface Mount Compatible (SMC) N/A
Temperature Range - Operating -20°C to +80°C
Termination Interface: Style Surface Mount
Wire Size AWG 28, 30, 32, 34, 36

Electrical

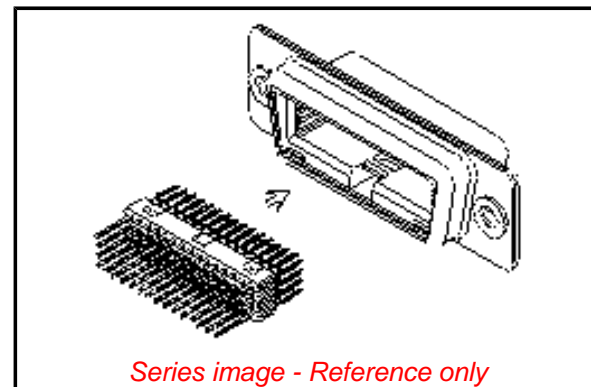
Current - Maximum per Contact 1.0A
Shielded Yes
Voltage - Maximum 40V

Material Info

Engineering Number 709851002

Reference - Drawing Numbers

Product Specification PS-70928, RPS-70928-002
Sales Drawing SDA-70985-100*



Series image - Reference only

EU ELV

Not Relevant

EU RoHS

Compliant

REACH SVHC

Not Contained Per -
ED/21/2016 (20 June
2016)

Halogen-Free

Status

Low-Halogen

**Need more information on product
environmental compliance?**

Email productcompliance@molex.com
Please visit the [Contact Us](#) section for any
non-product compliance questions.

China ROHS
ELV

Green Image
Not Relevant

Search Parts in this Series

70985 Series

Mates With

70929

Application Tooling | FAQ

*Tooling specifications and manuals are
found by selecting the products below.
Crimp Height Specifications are then
contained in the Application Tooling
Specification document.*

Global

Description

Product #

Terminal Stick
Insertion Tool For
LFH™ Series 71691
and 70985

[0622001600](#)

PLEASE CHECK WWW.MOLEX.COM FOR LATEST PART INFORMATION