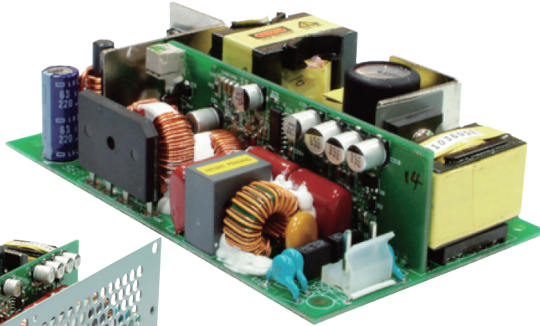


- \* 300 Watts with Airflow
- \* 200 Watts Convection
- \* Efficiency Level V



- Designed for ITE & Medical Applications
- Design for BF application
- 2 MOPP Medical Safety Approvals
- With built-in active PFC
- With ITE & Medical safety
- Rated load by convection
- Max. load by forced air
- High torque good for motor start up
- Optional U-shape case (-U) / Metal box (-C)
- I/P < 0.5W when O/P < 50mW
- With 12V/0.5A output for fan
- 10 Year Warranty



Mechanical Package	ITE Models	Medical Models	Vout	Min Load	Convection	With Air	Peak	Seppoint Accuracy	Ripple	Efficiency
OPEN-FRAME	SNP-G207-A	SNP-G207-MA	+12V	0A	16.5A	25.0A	33.0A	+11.9V~+12.1V	120mV	90%
	SNP-G208-A	SNP-G208-MA	+15V	0A	12.0A	18.0A	22.5A	+14.9V~+15.1V	150mV	90%
	SNP-G205-A	SNP-G205-MA	+18V	0A	11.1A	16.6A	22.3A	+17.9V~+18.1V	150mV	90%
	SNP-G209-A	SNP-G209-MA	+24V	0A	8.4A	12.5A	16.7A	+23.9V~+24.1V	200mV	90%
	SNP-G20G-A	SNP-G20G-MA	+28V	0A	7.2A	10.7A	13.0A	+27.9V~+28.1V	200mV	90%
	SNP-G20J-A	SNP-G20J-MA	+36V	0A	5.6A	8.3A	11.0A	+35.8V~+36.2V	250mV	90%
	SNP-G20T-A	SNP-G20T-MA	+48V	0A	4.2A	6.3A	8.4A	+47.8V~+48.2V	250mV	90%
U-FRAME	SNP-G207-UA	SNP-G207-UMA	+12V	0A	16.5A	25.0A	33.0A	+11.9V~+12.1V	120mV	90%
	SNP-G208-UA	SNP-G208-UMA	+15V	0A	12.0A	18.0A	22.5A	+14.9V~+15.1V	150mV	90%
	SNP-G205-UA	SNP-G205-UMA	+18V	0A	11.1A	16.6A	22.3A	+17.9V~+18.1V	150mV	90%
	SNP-G209-UA	SNP-G209-UMA	+24V	0A	8.4A	12.5A	16.7A	+23.9V~+24.1V	200mV	90%
	SNP-G20G-UA	SNP-G20G-UMA	+28V	0A	7.2A	10.7A	13.0A	+27.9V~+28.1V	200mV	90%
	SNP-G20J-UA	SNP-G20J-UMA	+36V	0A	5.6A	8.3A	11.0A	+35.8V~+36.2V	250mV	90%
	SNP-G20T-UA	SNP-G20T-UMA	+48V	0A	4.2A	6.3A	8.4A	+47.8V~+48.2V	250mV	90%
COVERED	SNP-G207-CA	SNP-G207-CMA	+12V	0A	15.0A	25.0A	33.0A	+11.9V~+12.1V	120mV	90%
	SNP-G208-CA	SNP-G208-CMA	+15V	0A	12.0A	18.0A	22.5A	+14.9V~+15.1V	150mV	90%
	SNP-G205-CA	SNP-G205-CMA	+18V	0A	10.0A	16.6A	22.3A	+17.9V~+18.1V	150mV	90%
	SNP-G209-CA	SNP-G209-CMA	+24V	0A	7.5A	12.5A	16.7A	+23.9V~+24.1V	200mV	90%
	SNP-G20G-CA	SNP-G20G-CMA	+28V	0A	6.42A	10.7A	13.0A	+27.9V~+28.1V	200mV	90%
	SNP-G20J-CA	SNP-G20J-CMA	+36V	0A	5.0A	8.3A	11.0A	+35.8V~+36.2V	250mV	90%
	SNP-G20T-CA	SNP-G20T-CMA	+48V	0A	3.75A	6.3A	8.4A	+47.8V~+48.2V	250mV	90%

Power supplies which require <0.5W standby mode will create audible burst sound at light load.

Suffix A designates no burst sound by removing standby mode operation at 0.5W (which is the stocking standard part number).

If Standby mode with audible burst noise is required, remove suffix A (minimum quantities may apply).

**Notes**

- All specifications without special notices are defined at nominal line, rated load and 25°C.
- Initial accuracy is set at 60% rated load and 115VAC input.
- Peak load can last 5 seconds with 10% duty cycle and average power < rated load.
- Ripple & Noise is defined with 15MHz BWL oscilloscope and 1X probe with 0.47uF output capacitor.
- Average efficiency is the average efficiency value of 25%, 50%, 75% and 100% rated load at nominal line input.
- All specifications subject to change without notice.
- This datasheet is only for model selection. Please contact [sales@powergateinc.com](mailto:sales@powergateinc.com) for formal specification.

Specifications are subject to change without notice. It is responsibility of each customer to thoroughly test each product and part number under their unique parameters and environments to ensure a product will work properly and reliably.

Click below for more details, to buy on-line or request volume pricing:  
<http://power.sager.com/skynet-SNP-G20-U-power-supply.html>

**(866) 588-1750**  
[power@sager.com](mailto:power@sager.com)  
<http://power.sager.com>

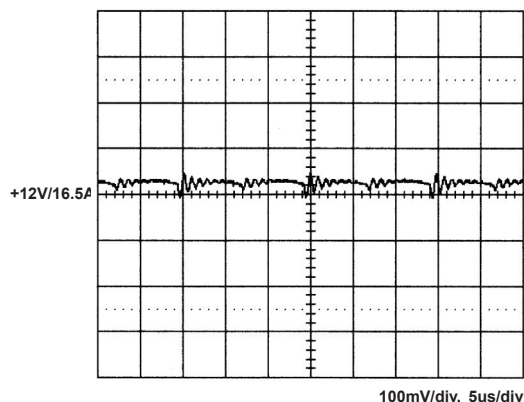
## General Specifications:

Input voltage ..... 90 VAC to 264 VAC  
 Input frequency ..... 47 Hz to 63 Hz  
 Inrush current ..... < 30/60A at 115/230VAC  
 Hold up time ..... 20ms typical  
 Over load/Short circuit protection ..... auto recovery  
 Over voltage protection ..... latch off  
 Operating temperature ..... -20°C to 70°C  
     derating: 2.5% / °C > 50°C for convection cooling  
 Storage temperature ..... -40°C to +85°C

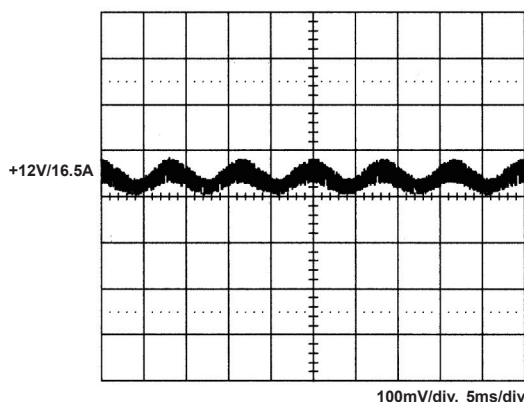
EMI ..... EN55022 "B", EN61000-3-3  
 Harmonics.....EN61000-3-2, class D  
 EMS..... EN61000-4-2,-3,-4,-5,-6,-8,-11  
 Safety ..... UL/CSA/EN60950-1, 2<sup>nd</sup> edition  
     ANSI/AMMI/CSA/EN60601-1, 3<sup>rd</sup> edition  
     CB report, CE mark, RM report/file  
 Energy Saving (for w/o -A suffix) ..... ENERGY STAR  
     for computers version 6.0  
     for displays version 6.0  
 ErP regulation EC(No) 1275/2008

## Performance for SNP-G207:

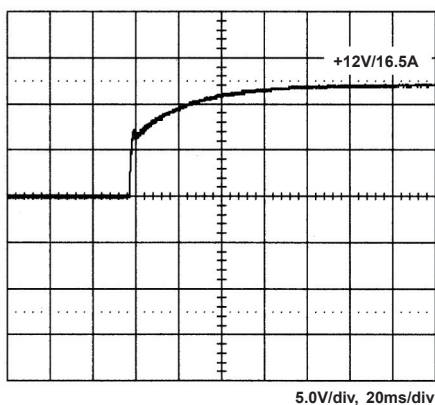
### 1. Switching frequency ripple



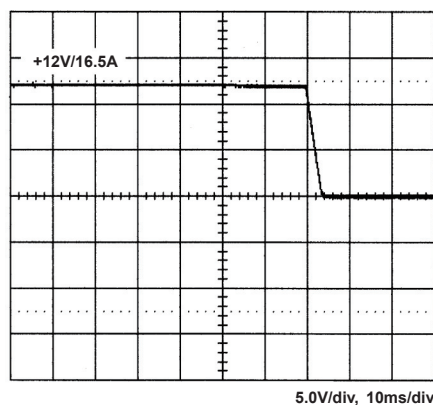
### 2. Line frequency ripple



### 3. Output turn on wave form

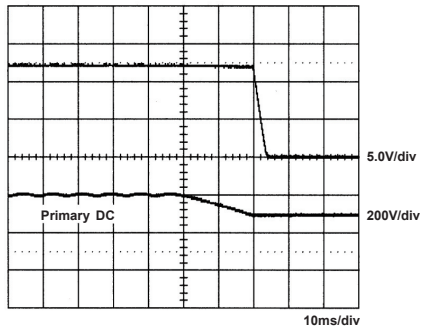


### 4. Output turn off wave form

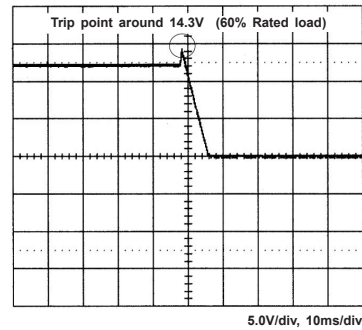


**Performance for SNP-G207:**

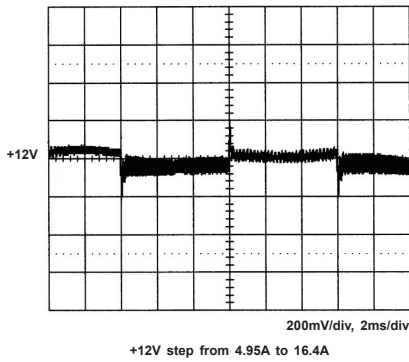
5. Hold-up time



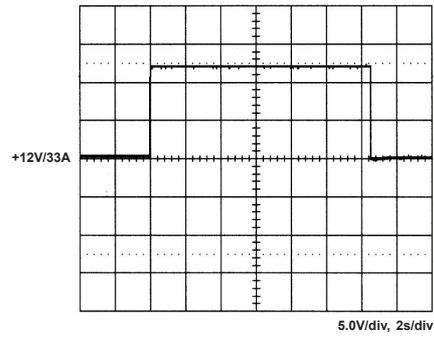
6. Over voltage protection



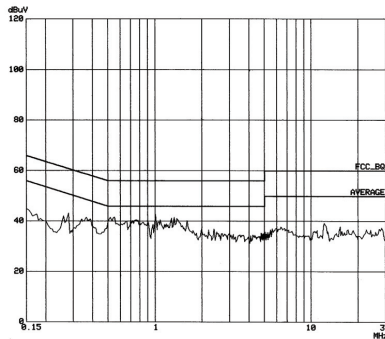
7. +12V step response



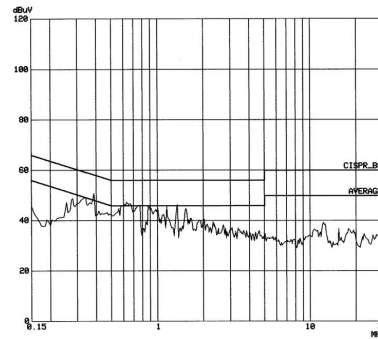
8. Peak load



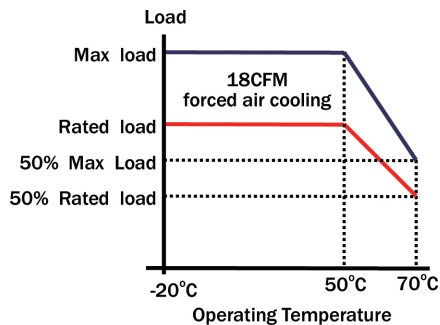
9. FCC B



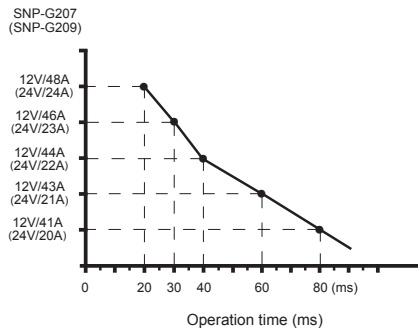
10. EN55022 B



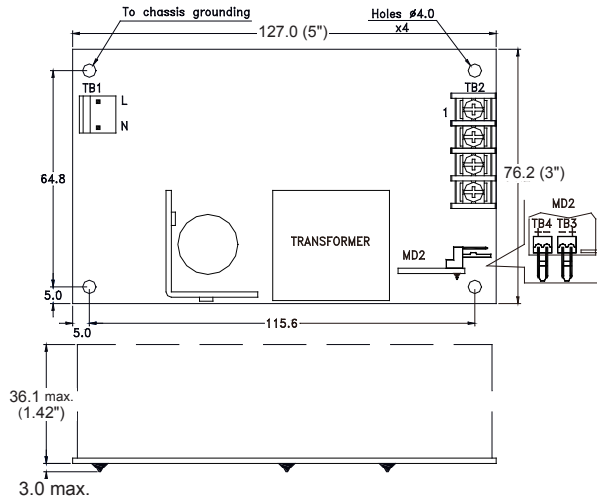
11. Power derating curve



12. Capability for driving motor



## Mechanical Specifications:



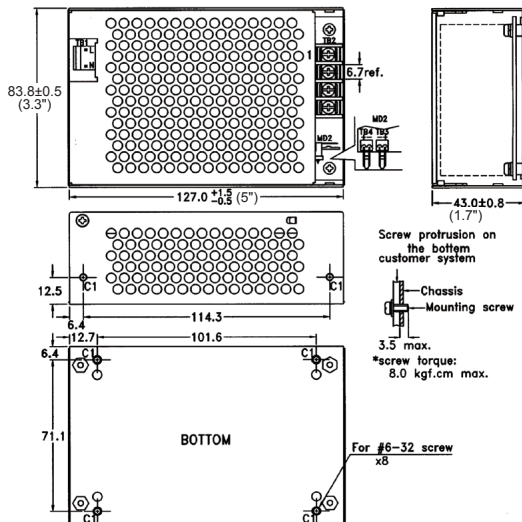
### Notes:

- Size:  
3" x 5" x 1.47"
- Mounting Hole:  
64.8 x 115.6 (mm)
- Connectors:  
AC input: Molex 5277-02A or equivalent  
DC output: Terminal blocks (default for SNP-G207) or Molex 5273-08A (default for others) or equivalent  
Fan, Remote sense: Molex 5045-02A or equivalent
- Output Pin assignment: Function Pin assignment:

Pin No.	1	2	3	4	5	6	7	8
SNP-G207	+Vo	+Vo	GND	GND				
OTHER MODELS	+Vo	+Vo	+Vo	+Vo	GND	GND	GND	GND

Function Pin	TB3	TB4
1	FAN Output	Remote Sense
2	GND	Sense -
	+12V	Sense +

- Packing:  
Net weight: 353 g approx. / unit  
Gross weight: 15 kg approx. / carton, 16 units / carton  
Carton size (mm): 384 (L) x 339 (W) x 327 (H)



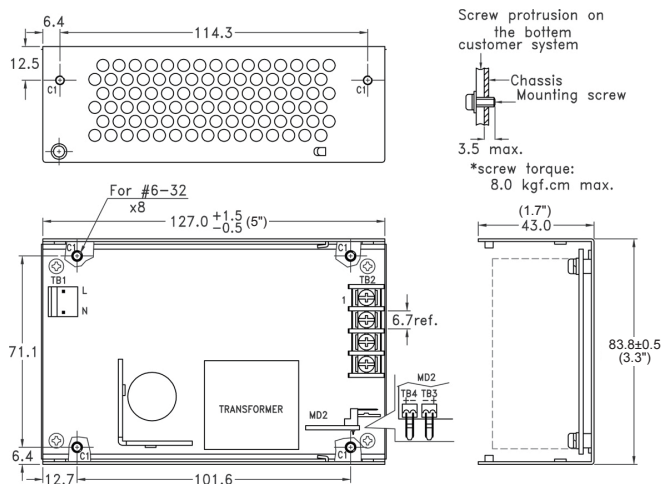
### Notes:

- Size:  
3.3" x 5" x 1.7"
- Mounting Hole:  
Side edge : 12.5 x 114.3 (mm)  
Bottom : 71.1 x 101.6 (mm)
- Connectors:  
AC input: Molex 5277-02A or equivalent  
DC output: Terminal blocks (default for SNP-G207-C) or Molex 5273-08A (default for others) or equivalent  
Fan, Remote sense: Molex 5045-02A or equivalent
- Output Pin assignment: Function Pin assignment:

Pin No.	1	2	3	4	5	6	7	8
SNP-G207-C	+Vo	+Vo	GND	GND				
OTHER MODELS	+Vo	+Vo	+Vo	+Vo	GND	GND	GND	GND

Function Pin	TB3	TB4
1	FAN Output	Remote Sense
2	GND	Sense -
	+12V	Sense +

- Packing:  
Net weight: 539 g approx. / unit  
Gross weight: 16.3 kg approx. / carton, 24 units / carton  
Carton size (mm): 384 (L) x 339 (W) x 327 (H)



### Notes:

- Size: Fits 1U Height
- Mounting Hole:  
Side edge : 12.5 x 114.3 (mm)  
Bottom : 71.1 x 101.6 (mm)
- Connectors:  
AC input: Molex 5277-02A or equivalent  
DC output: Terminal blocks (default for SNP-G207-U) or Molex 5273-08A (default for others) or equivalent  
Fan, Remote sense: Molex 5045-02A or equivalent
- Output Pin assignment: Function Pin assignment:

Pin No.	1	2	3	4	5	6	7	8
SNP-G207-U	+Vo	+Vo	GND	GND				
OTHER MODELS	+Vo	+Vo	+Vo	+Vo	GND	GND	GND	GND

Function Pin	TB3	TB4
1	FAN Output	Remote Sense
2	GND	Sense -
	+12V	Sense +

- Packing:  
Net weight: 539 g approx. / unit  
Gross weight: 15.3 kg approx. / carton, 24 units / carton  
Carton size (mm): 384 (L) x 339 (W) x 327 (H)