

**PLEASE CHECK WWW.MOLEX.COM FOR LATEST PART INFORMATION**

**Part Number:** [0008700001](#)  
**Status:** **Active**  
**Description:** 4.80mm Pitch Crimp Terminal, Female, Reel

**Documents:**

[Drawing \(PDF\)](#) [Product Specification PS-5025-002 \(PDF\)](#)  
[Product Specification PS-5025-001 \(PDF\)](#) [RoHS Certificate of Compliance \(PDF\)](#)

**General**

Product Family Crimp Terminals  
 Series [5005](#)  
 Application Power  
 Crimp Quality Equipment Yes  
 Product Name N/A  
 UPC 800753614277

**Physical**

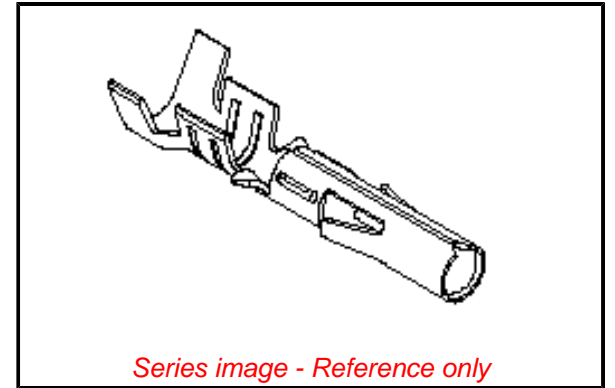
Gender Female  
 Material - Metal Brass  
 Material - Plating Mating Tin  
 Material - Plating Termination Tin  
 Net Weight 150.200/mg  
 Packaging Type Reel  
 Plating min - Mating 0.889µm  
 Plating min - Termination 0.889µm  
 Termination Interface: Style Crimp or Compression  
 Wire Insulation Diameter 1.30-3.00mm  
 Wire Size AWG 18, 20, 22, 24  
 Wire Size mm<sup>2</sup> N/A

**Material Info**

Engineering Number 5005T

**Reference - Drawing Numbers**

Crimp Specification [CS-5005/5006](#)  
 Product Specification [PS-5025-001](#), [PS-5025-002](#)  
 Sales Drawing [SD-5005\\*](#)



**EU ELV**

**Not Relevant**

**EU RoHS**

**Compliant**

**REACH SVHC**

Not Contained Per  
 -ED/01/2018 (15  
 January 2018)

**Halogen-Free**

**Status**

**Low-Halogen**

**Need more information on product environmental compliance?**

Email [productcompliance@molex.com](mailto:productcompliance@molex.com)  
 Please visit the [Contact Us](#) section for any non-product compliance questions.

China ROHS

ELV

RoHS Phthalates

Green Image

Not Relevant

Not Contained

**Search Parts in this Series**

[5005 Series](#)

**Mates With**

[5006](#)

**Use With**

[5025 Receptacle](#)