

80×80×20 mm

San Ace 80 9P type    Model 109P0812C601 is not certified.



General Specifications

- Material Frame: Plastic (Flammability: UL 94V-0), Impeller: Plastic (Flammability: UL 94V-1)
- Expected life See the table below. (L10 life: 90% survival rate for continuous operation in free air at 60°C, rated voltage)
- Motor protection function Locked rotor burnout protection, Reverse polarity protection
For details, please refer to p. 529.
- Dielectric strength 50/60 Hz, 500 VAC, for 1 minute (between lead wire conductors and frame)
- Insulation resistance 10 MΩ or more with a 500 VDC megger (between lead wire conductors and frame)
- Sound pressure level (SPL) At 1 m away from the air inlet
- Storage temperature -30 to +70°C (Non-condensing)
- Lead wire ⊕Red ⊖Black or Blue (Sensor) Yellow
- Mass 100 g

Specifications

The models listed below **have ribs and pulse sensors.**

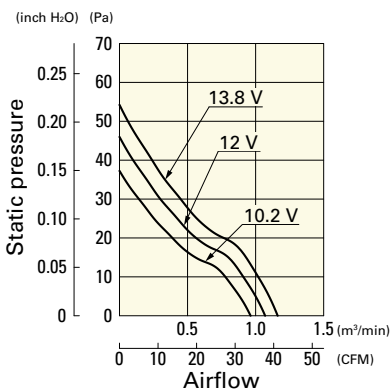
Model no.	Rated voltage [V]	Operating voltage range [V]	Rated current [A]	Rated input [W]	Rated speed [min ⁻¹]	Max. airflow [m ³ /min] [CFM]	Max. static pressure [Pa] [inchH ₂ O]	SPL [dB (A)]	Operating temperature [°C]	Expected life [h]
109P0812C601	12	10.2 to 13.8	0.29	3.48	3700	1.07 37.8	46 0.185	39	-20 to +60	60000/60°C
109P0812H601			0.21	2.52	2900	0.84 29.7	29.4 0.118	31		
109P0812M601			0.13	1.56	2300	0.67 23.7	18.6 0.075	25		
109P0824H601	24	20.4 to 27.6	0.12	2.88	2900	0.84 29.7	29.4 0.118	31	-20 to +70	
109P0824M601			0.07	1.68	2300	0.67 23.7	18.6 0.075	25		
109P0848C601	48	38 to 57.6	0.08	3.84	3700	1.07 37.8	46 0.185	39	-20 to +70	
109P0848H601			0.05	2.4	2900	0.84 29.7	29.4 0.118	31	-20 to +60	

Other sensor specifications are available as options. Refer to the index (p. 544).

Airflow - Static Pressure Characteristics

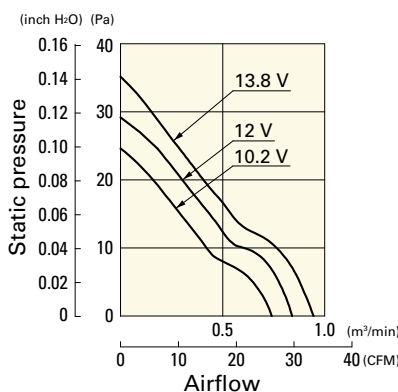
109P0812C601 With pulse sensor

Operating voltage range



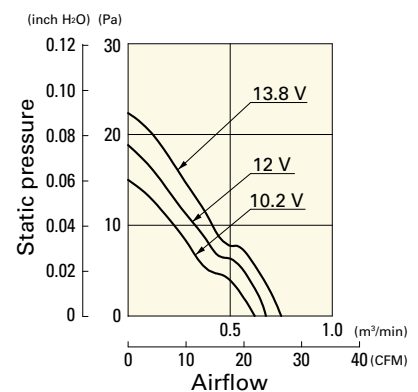
109P0812H601 With pulse sensor

Operating voltage range



109P0812M601 With pulse sensor

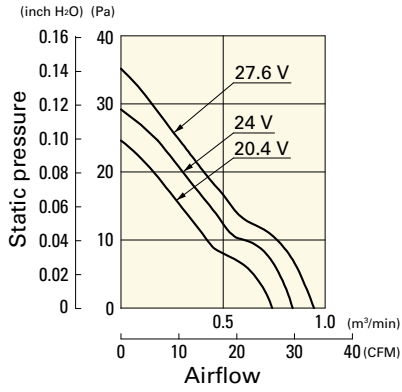
Operating voltage range



Airflow - Static Pressure Characteristics

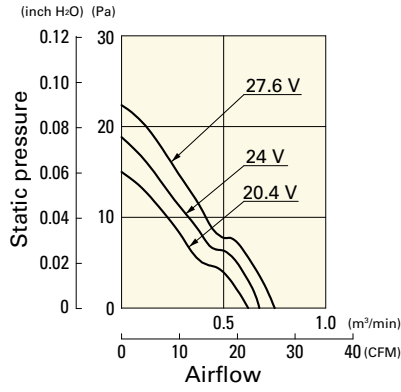
109P0824H601 With pulse sensor

Operating voltage range



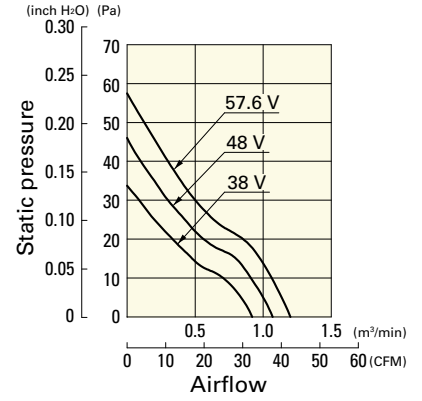
109P0824M601 With pulse sensor

Operating voltage range



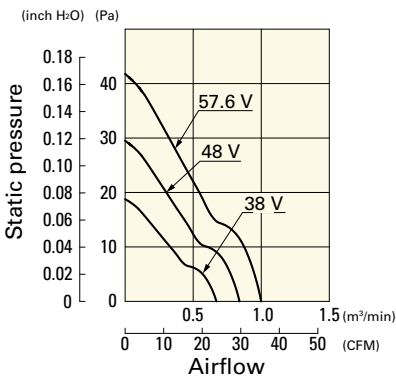
109P0848C601 With pulse sensor

Operating voltage range

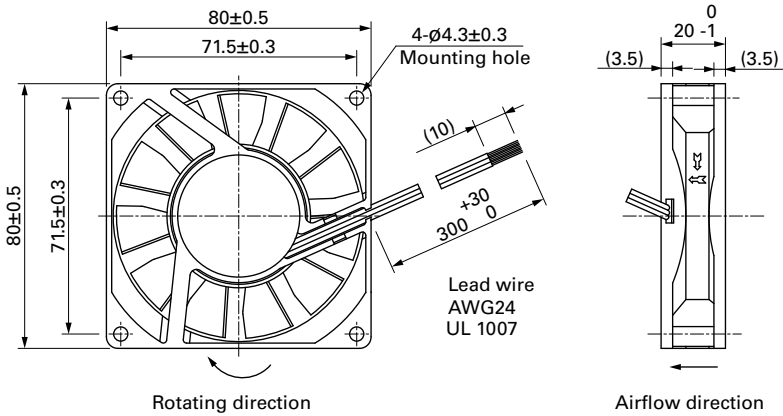


109P0848H601 With pulse sensor

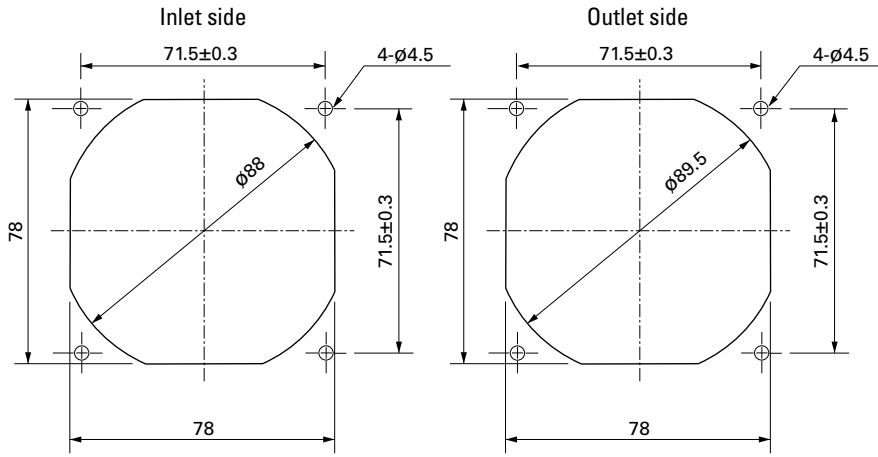
Operating voltage range



Dimensions (unit: mm)



■ Reference Dimensions of Mounting Holes and Vent Opening (unit: mm)



■ Options

Finger guards

page: p. 513

Model no.: 109-049C, 109-049E, 109-049H

Resin finger guards

page: p. 520

Model no.: 109-1002G

Resin filter kits

page: p. 521

Model no.: 109-1002F13 (13PPI), 109-1002F20 (20PPI),
109-1002F30 (30PPI), 109-1002F40 (40PPI)