

COSEL AC-DC Power Supplies Enclosed type
FETA2500B

Ordering information
FE T A 2500 B - □ □
 ① ② ③ ④ ⑤ ⑥



- ① Series name
- ② External form
- T: Terminal block interface
- ③ Single output
- ④ Output wattage
- ⑤ 200/230V input
- ⑥ Output voltage

MODEL	FETA2500B-36	FETA2500B-48
MAX OUTPUT WATTAGE[W]	1980	2496
DC OUTPUT	36V 55A	48V 52A

SPECIFICATIONS

	MODEL	FETA2500B-36	FETA2500B-48	
INPUT	VOLTAGE[V]	AC170 - 264 1 φ (Output derating is required at AC170V - 180V. Refer to instruction manual 4.2)		
	CURRENT[A]	ACIN 200V 11.3typ		
	FREQUENCY[Hz]	50 / 60 (47 - 63)		
	EFFICIENCY[%]	ACIN 230V	80typ (Io=10%)	83typ (Io=10%)
			87typ (Io=20%)	89typ (Io=20%)
			91typ (Io=50%)	92.5typ (Io=50%)
			90typ (Io=100%)	91.5typ (Io=100%)
POWER FACTOR	ACIN 230V	0.98typ (Io=100%)		
INRUSH CURRENT[A]	ACIN 200V *2	20max / 60max (Primary inrush current /Secondary inrush current) (More than 10 sec. to re-start)		
LEAKAGE CURRENT[mA]		0.85max (ACIN 240V 60Hz, Io=100%, According to IEC60950-1)		
OUTPUT	VOLTAGE[V]	36	48	
	CURRENT[A]	ACIN 170V-180V ACIN 180V-264V	Output derating is required at ACIN 180V or less (refer to instruction manual 4.2) 55 52	
	LINE REGULATION[mV]	144max		192max
	LOAD REGULATION[mV]	360max		480max
	RIPPLE[mVp-p]	0 to +50 °C *3	300max	360max
		-10 to 0 °C *3	360max	480max
	RIPPLE NOISE[mVp-p]	0 to +50 °C *3	360max	480max
		-10 to 0 °C *3	480max	600max
	TEMPERATURE REGULATION[mV]	0 to +50 °C	360max	480max
		-10 to +50 °C	440max	600max
	DRIFT[mV]	*4	144max	192max
	START-UP TIME[s]		1.7max (ACIN 200V, Io=100%) 10typ (Io=100%)	
	HOLD-UP TIME[ms]	ACIN 200V	20typ (Io=50%)	
OUTPUT VOLTAGE ADJUSTMENT RANGE[V]	*5	32.40 - 39.60	43.20 - 52.80 *6	
OUTPUT VOLTAGE SETTING[V]		36.00 - 37.44	48.00 - 49.92	
PROTECTION CIRCUIT AND OTHERS	OVERCURRENT PROTECTION	Activate over 105% - 120% of rated current and recovers automatically. (Shut down if low-voltage protection activated)		
	OVERVOLTAGE PROTECTION[V]	*7	42.00 - 45.00	56.00 - 60.00
	LOW-VOLTAGE PROTECTION[V]	*7	21.60 - 25.20	28.80 - 33.60
	DC_OK LAMP		LED (Green)	
	ALARM LAMP		LED (Amber)	
REMOTE ON/OFF		Provided		
ISOLATION	INPUT-OUTPUT-AUX-RC-WRN-PG	AC3,000V 1minute, Cutoff current = 25mA, DC500V 50MΩ min (At room temperature)		
	INPUT-FG	AC2,000V 1minute, Cutoff current = 25mA, DC500V 50MΩ min (At room temperature)		
	OUTPUT-AUX-RC-WRN-PG-FG	AC500V 1minute, Cutoff current = 100mA, DC500V 50MΩ min (At room temperature)		
	OUTPUT-AUX-RC-WRN-PG	AC100V 1minute, Cutoff current = 100mA, DC100V 50MΩ min (At room temperature)		
ENVIRONMENT	OPERATING TEMP., HUMID. AND ALTITUDE	-10 to +70 °C (Output derating is required), 20 - 90%RH (Non condensing), 3,000m (10,000 feet) max		
	STORAGE TEMP., HUMID. AND ALTITUDE	-20 to +85 °C, 20 - 90%RH (Non condensing), 9,000m (30,000 feet) max		
	VIBRATION	10 - 55Hz, 19.6m/s ² (2G), 3minutes period, 60minutes each along X, Y and Z axis		
SAFETY AND NOISE REGULATIONS	IMPACT	196.1m/s ² (20G), 11ms, once each along X, Y and Z axis		
	AGENCY APPROVALS	UL60950-1, C-UL (CSA60950-1), EN60950-1		
	CONDUCTED NOISE	Complies with FCC Part15-A, CISPR22-A, EN55011-A, EN55022-A, VCCI-A		
OTHERS	HARMONIC ATTENUATOR	Complies with IEC61000-3-2 Class A *8		
	CASE SIZE/WEIGHT	*9	102 X 41 X 340mm [4.02 X 1.61 X 13.39 inches] (W X H X D) / 2.3kg max	
	COOLING METHOD	Forced cooling (internal fan)		

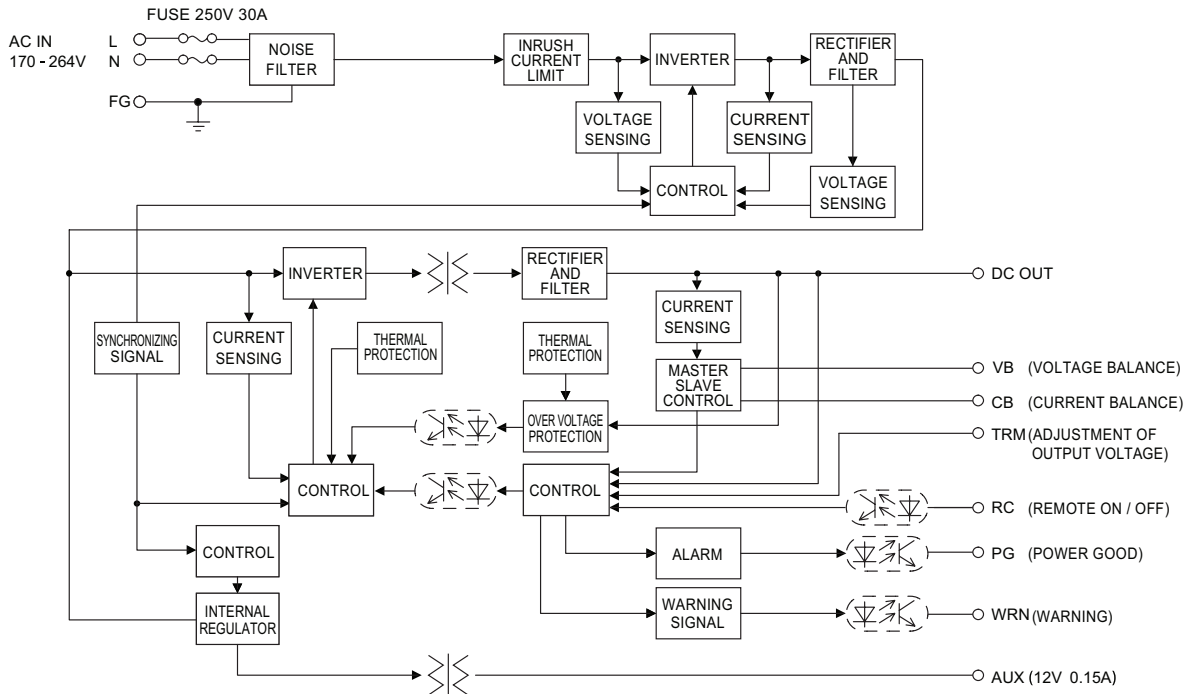
*1 AUX output power is not included.
 *2 The current of input surge to a built-in noise filter (0.2ms or less) is excluded.
 *3 Measured by 500MHz oscilloscope.
 Ripple and ripple noise is measured on measuring board with capacitor of 22μF within 150mm from the output terminal.
 *4 Drift is the change in DC output for an eight hour period after a half-hour warm-up at 25°C, with the input voltage held constant at the rated input/output.
 *5 Can not be used above the rated output current and the rated output power.
 *6 When the output voltage is adjusted to higher than 49.92V and the load factor is over 70% of the rated current, if the load current changes quickly (< 200msec), the output voltage drops approximately 5V below the setting voltage.
 *7 To recover output voltage, recycle input voltage after 10 or more seconds.
 *8 Please contact us about another class.
 *9 Case size contains neither the terminal blocks, connector and screw nor.
 * To meet the specifications. Do not operate over-loaded condition.
 * A sound may occur from power supply at peak loading.

Specifications are subject to change without notice. It is responsibility of each customer to thoroughly test each product and part number under their unique parameters and environments to ensure a product will work properly and reliably.

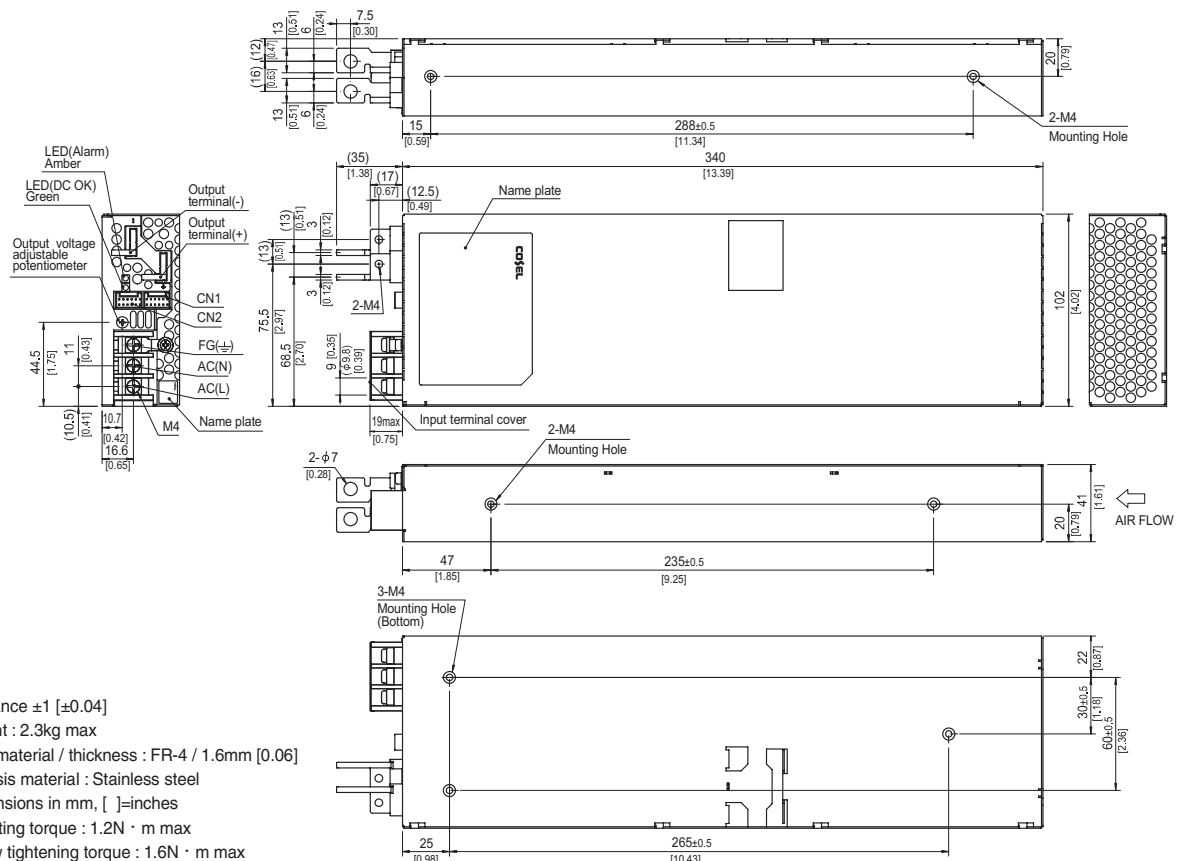
Click below for more details, to buy on-line or request volume pricing:
<http://power.sager.com/cosel-FETA2500B-power-supply.html>

(866) 588-1750
 power@sager.com
<http://power.sager.com>

Block diagram



External view



- * Tolerance ±1 [±0.04]
- * Weight : 2.3kg max
- * PCB material / thickness : FR-4 / 1.6mm [0.06]
- * Chassis material : Stainless steel
- * Dimensions in mm, []=inches
- * Mounting torque : 1.2N · m max
- * Screw tightening torque : 1.6N · m max
- * Please connect safety ground to FG terminal on the unit.

Specifications are subject to change without notice. It is responsibility of each customer to thoroughly test each product and part number under their unique parameters and environments to ensure a product will work properly and reliably.

Click below for more details, to buy on-line or request volume pricing:
<http://power.sager.com/cosel-FETA2500B-power-supply.html>

(866) 588-1750
power@sager.com
<http://power.sager.com>