

PLEASE CHECK WWW.MOLEX.COM FOR LATEST PART INFORMATION

Part Number: [0432028802](#)
Status: **Active**
Overview: [Modular Jacks and Plugs](#)
Description: Modular Jack, Right Angle, Low Profile, Shielded, Offset Panel Grounding Tabs, without Bottom Grounding Tab, Front Position PCB Ground Tab, 8/10

Documents:

[3D Model](#) [Packaging Specification PK-43202-004 \(PDF\)](#)
[Drawing \(PDF\)](#) [RoHS Certificate of Compliance \(PDF\)](#)
[Product Specification PS-43202-001 \(PDF\)](#)

Agency Certification

CSA LR19980
 UL E107635

General

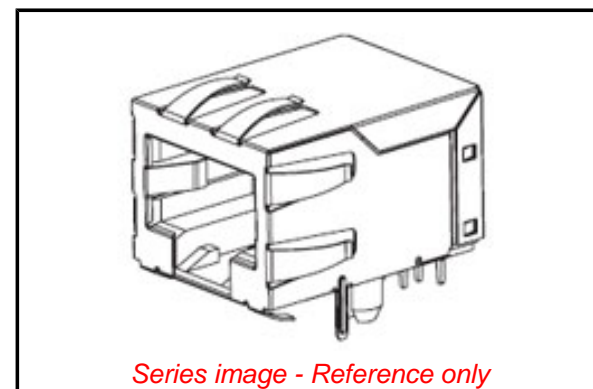
Product Family Modular Jacks/Plugs
 Series [43202](#)
 Component Type PCB Jack
 Magnetic No
 Overview [Modular Jacks and Plugs](#)
 Performance Category 3
 Power over Ethernet (PoE) N/A
 Product Name RJ45
 UPC 800756072357

Physical

Color - Resin Black
 Durability (mating cycles max) 500
 Flammability 94V-0
 Inverted / Top Latch No
 Jack Height 11.81mm
 Lightpipes/LEDs None
 Material - Metal Brass, Phosphor Bronze
 Material - Plating Mating Gold
 Material - Plating Termination Tin
 Material - Resin High Temperature Thermoplastic
 Orientation Right Angle (Side Entry)
 PCB Retention Yes
 PCB Thickness - Recommended 1.60mm
 Packaging Type Tray
 Panel Mount Without Flange
 Pitch - Mating Interface 1.02mm
 Pitch - Termination Interface 1.27mm
 Plating min - Mating 1.270µm
 Plating min - Termination 2.540µm
 Ports 1
 Positions / Loaded Contacts 8/10
 Surface Mount Compatible (SMC) Yes
 Temperature Range - Operating -40°C to +85°C
 Termination Interface: Style Through Hole
 Wire/Cable Type N/A

Electrical

Current - Maximum per Contact 1.5A
 Grounding to PCB Yes
 Grounding to Panel Offset Panel Ground Tabs



Series image - Reference only

EU ELV

Not Relevant

EU RoHS

Not Reviewed

REACH SVHC

Not Reviewed

Halogen-Free

Status

Not Reviewed

Need more information on product environmental compliance?

Email productcompliance@molex.com
 Please visit the [Contact Us](#) section for any non-product compliance questions.

China ROHS

Not Reviewed

ELV

Not Relevant

Search Parts in this Series

[43202 Series](#)

Mates With

FCC 68 Plugs

Shielded Yes
Voltage - Maximum 125V

Solder Process Data

Lead-freeProcess Capability WAVE

Material Info

Reference - Drawing Numbers

Packaging Specification PK-43202-004
Product Specification PS-43202-001, RPS-43202-002
Sales Drawing SDA-43202

This document was generated on 06/09/2016

PLEASE CHECK WWW.MOLEX.COM FOR LATEST PART INFORMATION