

RPC5-20-H-D-00.25-TR

RPB5-10-01-H-D

RPB5, RPC5 SERIES

(1,27 mm) .050"

IP68 TIGER EYE™ SEALED PANEL MOUNT

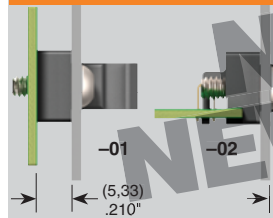
Mates with:
RC5

SPECIFICATIONS

For complete specifications see www.samtec.com?RPB5

- Insulator Material:** Black Liquid Crystal Polymer
- Terminal:** Phosphor Bronze
- Current Rating:** 3.3 A per pin (1 pin powered per row)
- Operating Temp Range:** -30°C to +80°C
- Seal:** Rubber
- Nut:** Stainless Steel
- Screw:** Stainless Steel

APPLICATION



Note: Meets IP68 requirements for dust and waterproof sealing when mated or with dust cap.

RPB5	NO. OF POSITIONS	LEAD STYLE	PLATING	ROW
------	------------------	------------	---------	-----

-10, -15, -20
(Per Row)

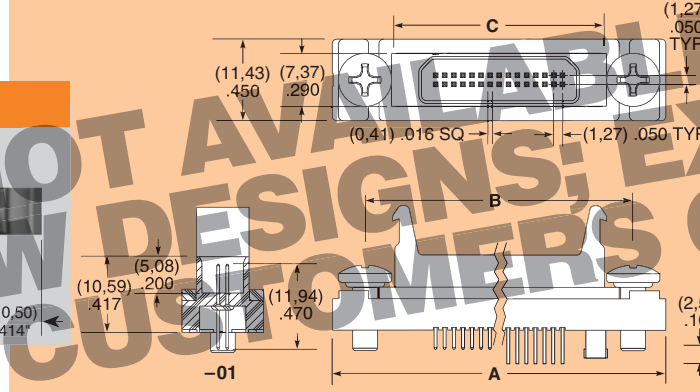
-01
= Through-hole

-02
= Right Angle

-G
= 10µ" (0,25 µm) Gold

-H
= 30µ" (0,76 µm) Gold

-D
= Double Row



NO. OF POSITIONS	A	B	C
-10	(40,39) 1.590	(31,24) 1.230	(23,88) .940
-15	(46,74) 1.840	(37,59) 1.480	(30,23) 1.190
-20	(53,09) 2.090	(43,94) 1.730	(36,58) 1.440

DUST CAPS

POSITIONS	RPB5
-10	DCA-RPB5-10-01
-15	DCA-RPB5-15-01
-20	DCA-RPB5-20-01

Mates with:
RC5, TFM, TFC, SFM, SFC

SPECIFICATIONS

For complete specifications see www.samtec.com?RPC5

- Insulator Material:** Black Liquid Crystal Polymer
- Terminal:** Phosphor Bronze
- Operating Temp Range:** -30°C to +80°C
- Cable Insulator:** PVC
- Wire:** 28 AWG
- Seal:** Rubber
- Nut:** Stainless Steel
- Screw:** Stainless Steel



RPC5	NO. OF POSITIONS	PLATING	D	WIRE LENGTH	END OPTION
------	------------------	---------	---	-------------	------------

-10, -15, -20
(Per Row)

-G
= 10µ" (0,25 µm) Gold

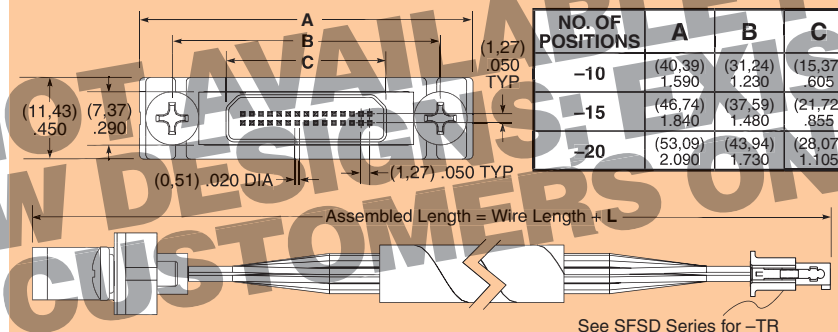
-H
= 30µ" (0,76 µm) Gold

-00.25
= (0,25 m) 9.84"

-00.50
= (0,50 m) 19.69"

-BC
= Blunt Cut

-TR
= Transfer End Latching



NO. OF POSITIONS	A	B	C
-10	(40,39) 1.590	(31,24) 1.230	(15,37) .605
-15	(46,74) 1.840	(37,59) 1.480	(21,72) .855
-20	(53,09) 2.090	(43,94) 1.730	(28,07) 1.105

ALSO AVAILABLE
(MOQ Required)

- Other wire lengths
- Contact Samtec.

END OPTION	L
-BC	(18,44) .726
-TR	(26,34) 1.037

DUST CAPS

POSITIONS	RPC5
-10	DCA-RPB5-10-01
-15	DCA-RPB5-15-01
-20	DCA-RPB5-20-01

(Note: Same dust cap as RPB5 series)

Note: Meets IP68 requirements for dust and waterproof sealing when mated or with dust cap.

Due to technical progress, all designs, specifications and components are subject to change without notice.

WWW.SAMTEC.COM