

LOC		DIST		REVISIONS				DATE	APPD
P	F	ZONE	LTR	DESCRIPTION					
				U	REVISED PER EC 0513-0486-03			15MAR04	JR

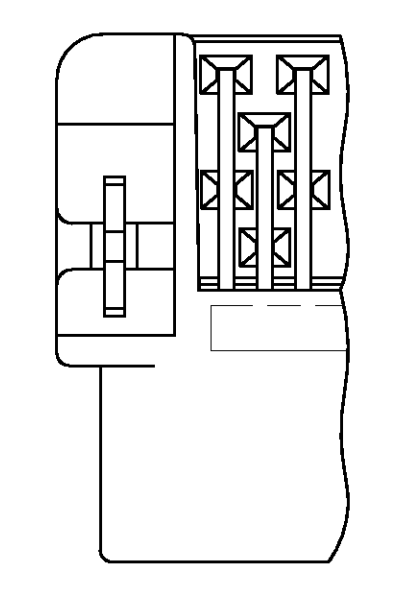
- 1 HOUSING & TINE PLATE - LIQUID CRYSTAL POLYMER (LCP), UL 94V-0, BLACK.
- 2. CONNECTOR SOLDER TAILS WILL ACCOMMODATE PRINTED CIRCUIT BOARD THICKNESS OF 0.8 TO 1.6 [.031 TO .063].
- 3 G, J, H INDICATE NUMBER OF POSITION MARKED ON ASSEMBLY. ALSO SEE TABLE.
- 4 THIS PART IS TUBE PACKAGED.
- 5 CONTACTS - PHOSPHOR BRONZE PLATED WITH MINIMUM GOLD THICKNESS (SEE TABLE) IN CONTACT AREA AND 0.0038 [.000150] MINIMUM THICK TIN-LEAD ON SOLDER TINES OVER 0.00127 [.000050] MINIMUM THICK NICKEL UNDERPLATE.
- 6 RETENTION LEGS - BRASS PLATED WITH 0.0038 [.000150] MINIMUM TIN-LEAD OVER 0.00127 [.000050] MINIMUM NICKEL UNDERPLATE.
- 7 RETENTION LEGS - BRASS PLATED WITH 0.0038 [.000150] MINIMUM TIN OVER 0.00127 [.000050] MINIMUM NICKEL UNDERPLATE.

NOTES	C	B	A	G	J	H	GOLD	PART NO
	86.13 [3.391]	82.33 [3.241]	83.27 [3.278]	60	120	61	0.00076 [.000030]	5-757100-7
	41.68 [1.641]	37.88 [1.491]	38.82 [1.528]	25	50	26	0.00076 [.000030]	5-657100-6
	35.33 [1.391]	31.53 [1.241]	32.47 [1.278]	20	40	21	0.00076 [.000030]	5-557100-5
PRELIMINARY -NOT RELEASED FOR PRODUCTION-	86.13 [3.391]	82.33 [3.241]	83.27 [3.278]	60	120	61	0.00076 [.000030]	5-557100-4
OBSOLETE	124.23 [4.891]	120.43 [4.741]	121.37 [4.778]	90	180	91	0.00076 [.000030]	5-557100-3
	98.83 [3.891]	95.03 [3.741]	95.97 [3.778]	70	140	71	0.00076 [.000030]	4-557100-9
	136.93 [5.391]	133.13 [5.241]	134.07 [5.278]	100	200	101	0.00076 [.000030]	4-557100-1
	111.53 [4.391]	107.73 [4.241]	108.67 [4.278]	80	160	81	0.00076 [.000030]	3-557100-7
OBSOLETE	92.48 [3.641]	88.68 [3.491]	89.62 [3.528]	65	130	66	0.00076 [.000030]	3-557100-3
	86.13 [3.391]	82.33 [3.241]	83.27 [3.278]	60	120	61	0.00076 [.000030]	2-557100-9
	73.43 [2.891]	69.63 [2.741]	70.57 [2.778]	50	100	51	0.00076 [.000030]	2-557100-5
	60.73 [2.391]	56.93 [2.241]	57.87 [2.278]	40	80	41	0.00076 [.000030]	2-557100-1
	53.11 [2.091]	49.31 [1.941]	50.25 [1.978]	34	68	35	0.00076 [.000030]	1-557100-7
	48.03 [1.891]	44.23 [1.741]	45.17 [1.778]	30	60	31	0.00076 [.000030]	1-557100-3
	41.68 [1.641]	37.88 [1.491]	38.82 [1.528]	25	50	26	0.00076 [.000030]	557100-9
	35.33 [1.391]	31.53 [1.241]	32.47 [1.278]	20	40	21	0.00076 [.000030]	557100-5
OBSOLETE	28.98 [1.141]	25.18 [.991]	26.12 [1.028]	15	30	16	0.00076 [.000030]	557100-1

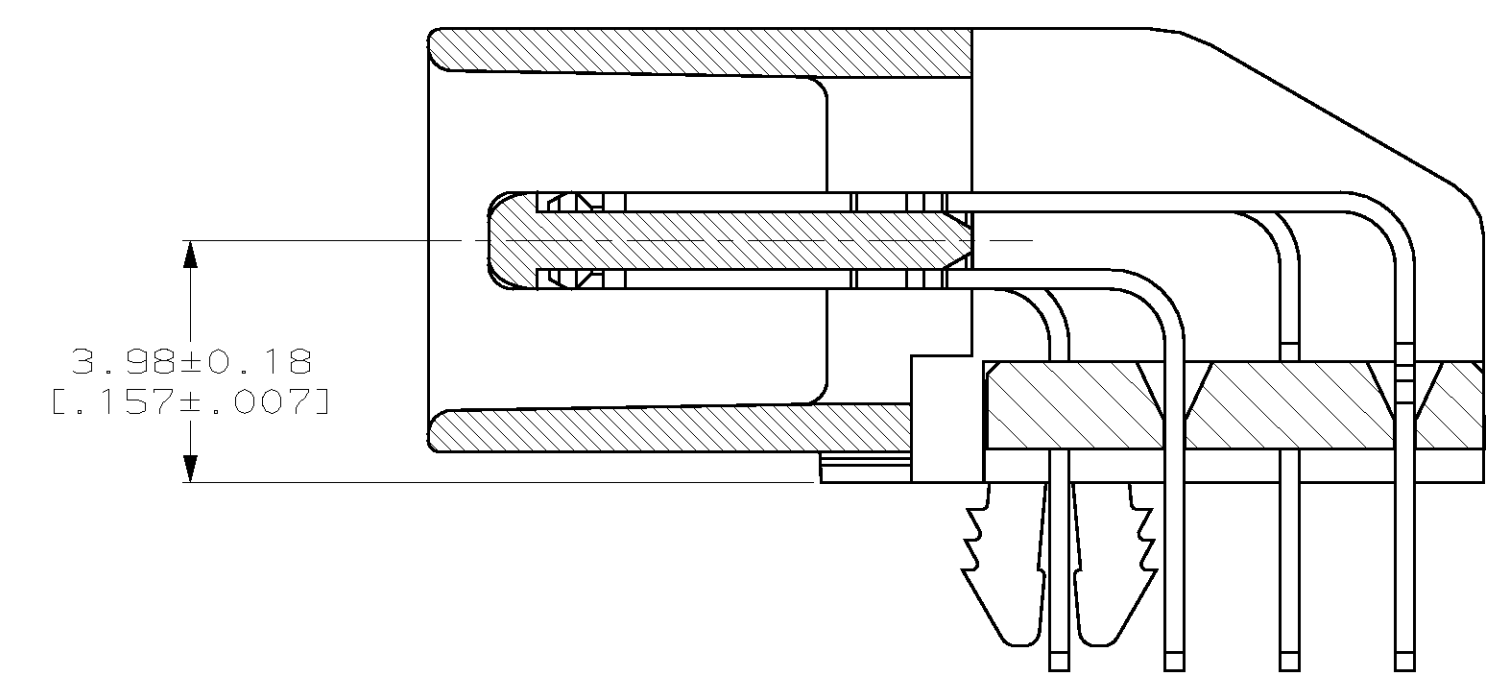
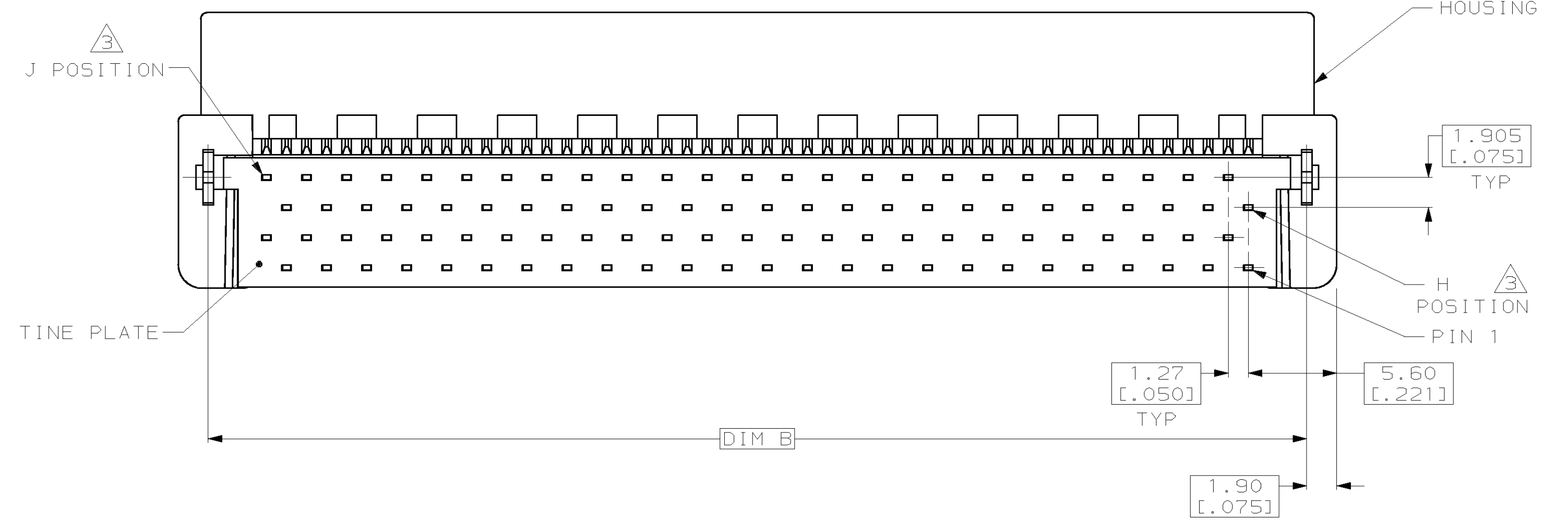
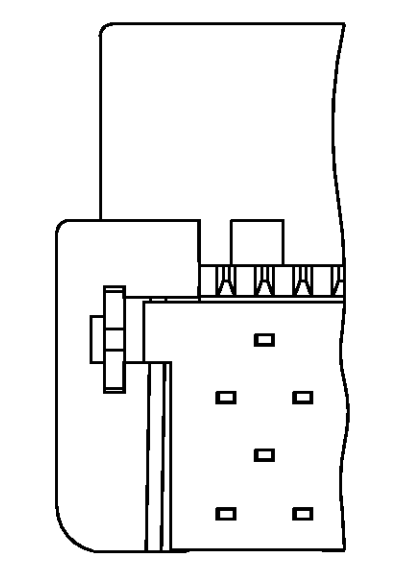
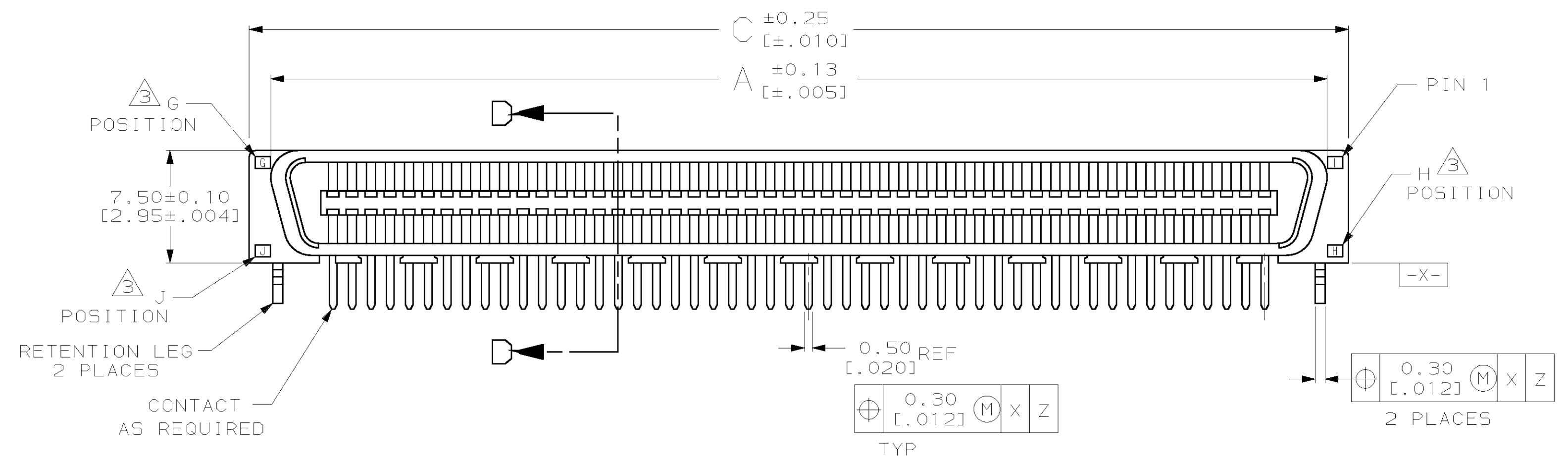
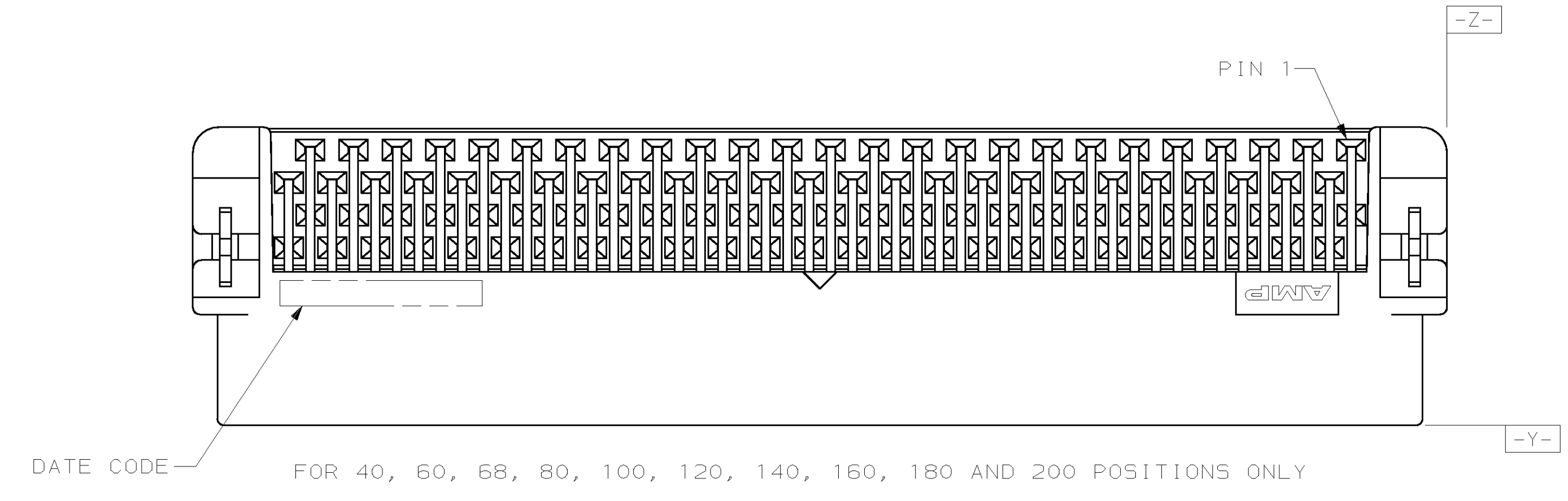
DO NOT SCALE PRINT. UNLESS SPECIFIED DIMENSIONS IN mm [INCHES] TOLERANCES ON: 2 PLC DEC ± - 3 PLC DEC ± - ANGLES ± -	DR 8-31-89 A.HOLT CHK 10-3-89 N.JONES APPD 12-4-89 T.PIZZULO APPD 12-4-89 J.B.WILKERSON	AMP INCORPORATED Harrisburg, Pa. 17105
SEE NOTES	PRODUCT SPEC 108-1367	NAME PLUG ASSEMBLY, RIGHT ANGLE, BOARD-TO-BOARD, CHAMP™ .050, SERIES I
FINISH SEE NOTES	APPLICATION SPEC 114-6045	SIZE D 00779 557100
	WEIGHT	SCALE 4:1

SUPERSEDED
NOT THE LATEST REVISION
 1 OF 3

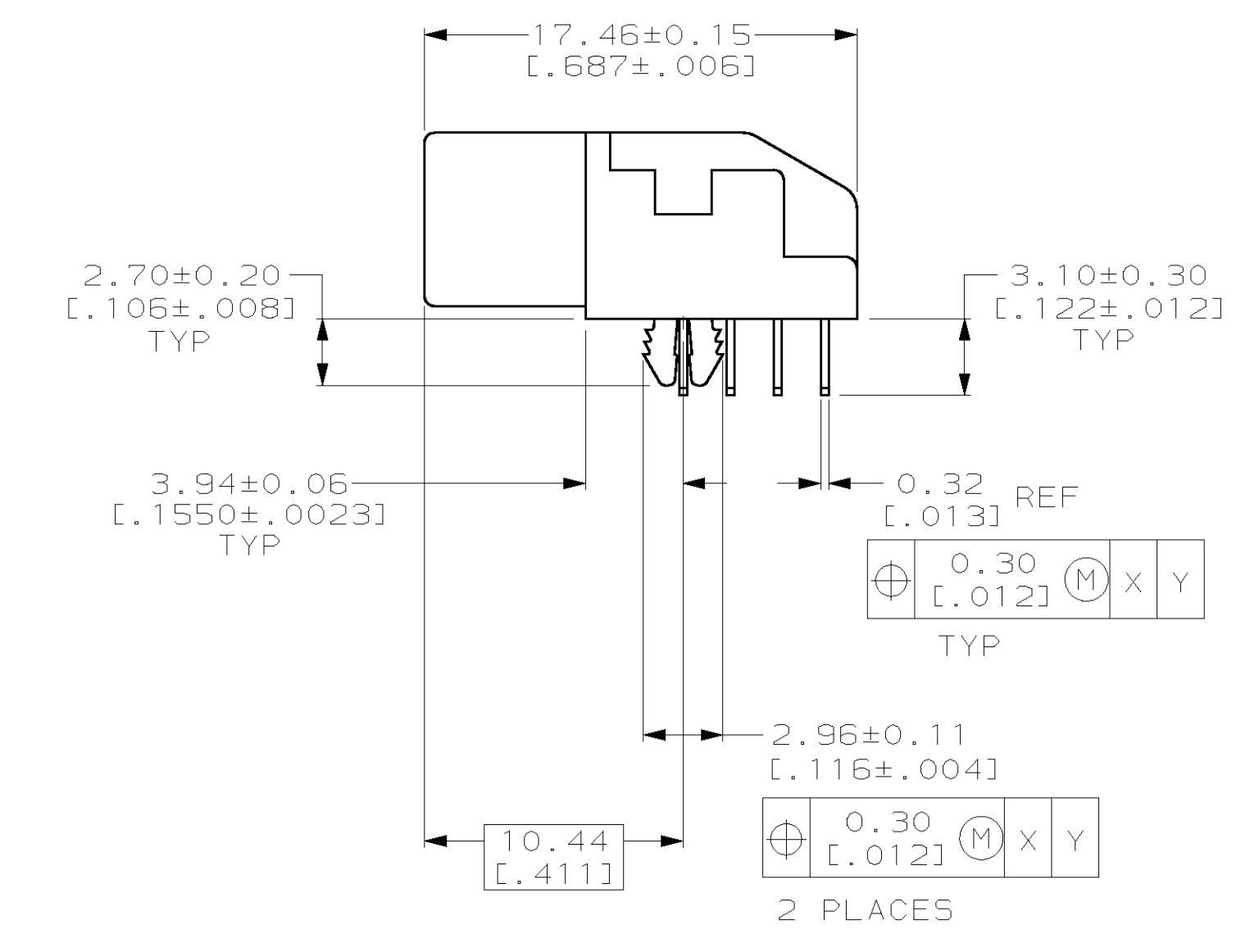
LOC		DIST		REVISIONS			
P	F	ZONE	LTR	DESCRIPTION	DATE	APPD	
DW	00			U	SEE SHEET 1		



FOR 50, 130
POSITIONS ONLY



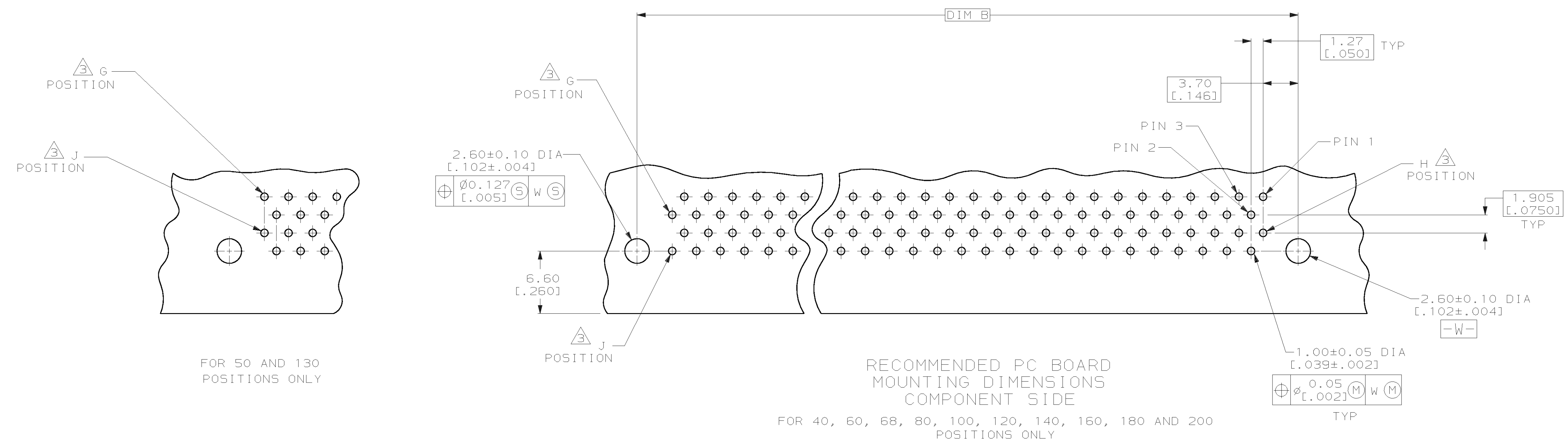
SECTION D-D
SCALE 8:1



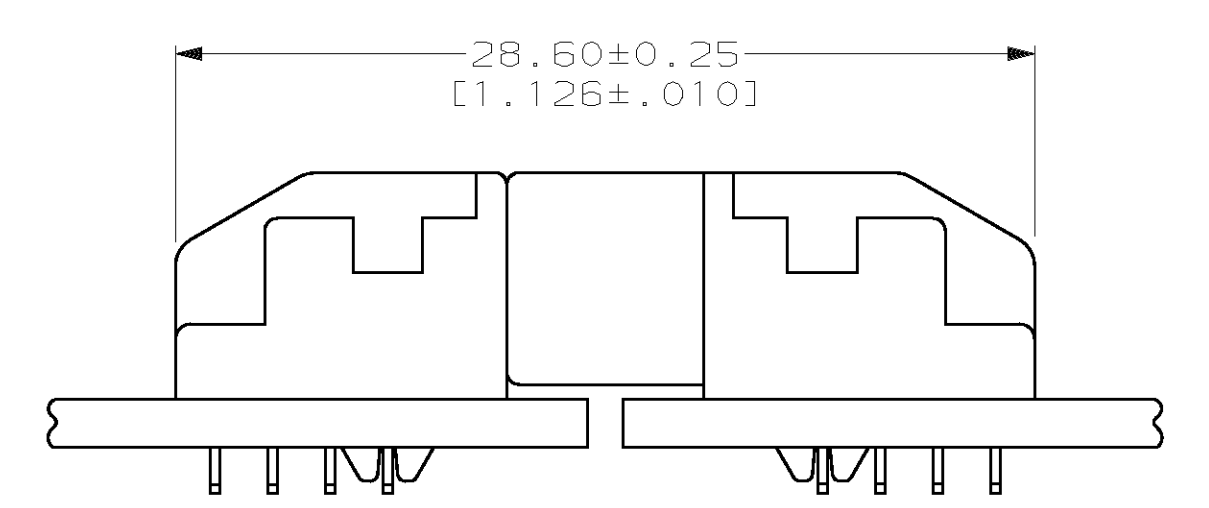
DESCRIPTION		PART NO	
DO NOT SCALE PRINT.		DR 8-21-89 R. MARTIN	
DIMENSIONS IN mm [INCHES]		CHK 10-3-89 N. JONES	
TOLERANCES ON :		APPD 12-4-89 T. PIZZULO	
2 PLC DEC ± -		APPD 12-4-89 J.B. WILKERSON	
3 PLC DEC ± -		PRODUCT SPEC	
ANGLES ± -		APPLICATION SPEC	
MATERIAL		WEIGHT	
-		-	
FINISH		SIZE	CAGE CODE
-		D	00779
		DRAWING NO	557100
		SCALE	4:1
		SHEET	2 OF 3



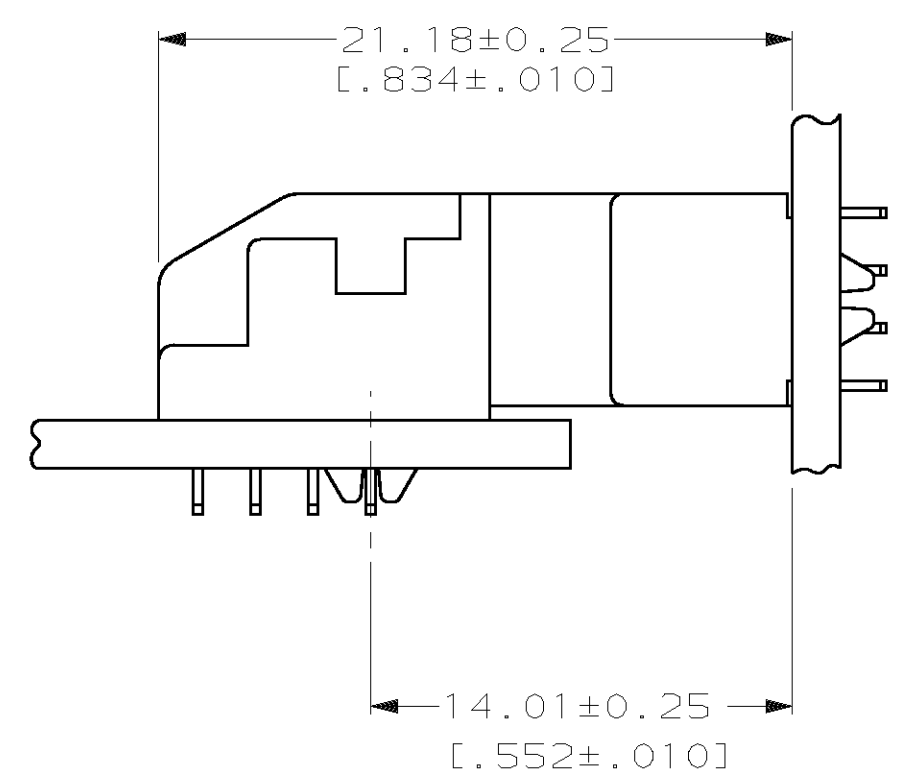
AMP INCORPORATED
 HARRISBURG, PA. 17105
 NAME
 PLUG ASSEMBLY, RIGHT ANGLE,
 BOARD-TO-BOARD
 CHAMP™ .050, SERIES I



FOR 50 AND 130 POSITIONS ONLY



RIGHT ANGLE PLUG ASSEMBLY MATED TO RIGHT ANGLE RECEPTACLE ASSEMBLY



RIGHT ANGLE PLUG ASSEMBLY MATED TO VERTICAL RECEPTACLE ASSEMBLY

DO NOT SCALE PRINT. UNLESS SPECIFIED DIMENSIONS IN mm [INCHES]		DR 8-21-89 R. MARTIN		AMP INCORPORATED Harrisburg, Pa. 17105	
TOLERANCES ON:		CHK 10-3-89 N. JONES			
2 PLC DEC ± -		APPD 12-4-89 T. PIZZULO		NAME	
3 PLC DEC ± -		APPD 12-4-89 J.B. WILKERSON		PLUG ASSEMBLY, RIGHT ANGLE, BOARD-TO-BOARD	
ANGLES ± -		PRODUCT SPEC		CHAMP™ .050, SERIES I	
MATERIAL		APPLICATION SPEC		SIZE	CAGE CODE
-		-		D	00779
FINISH		WEIGHT		DRAWING NO.	
-		-		557100	
				SCALE	SHEET
				4:1	3 OF 3