

## SUMMARY



*Image is for illustrative purpose only*

### # Wires

Low	0
High	0
Coax	1
Triax	0
Quad	0
Fiber	0
Fluidic	0

### Download

[Request a quote](#)

[Catalog](#)

Series	1S
Termination type	Male solder
IP rating	50
Cable Ø	5.90 - 6.50 mm
Matching parts	ERA.1S.275.CLL
Status	active
Alternative part	

## TECHNICAL DETAILS

### Mechanics

Shell Style/Model	FFA*: Straight plug, cable collet
Keying	Circular (can rotate), plug has male contact(s)
Housing Material	Brass (chrome plated) shell and collet nut, nickel plated brass latch sleeve and mid pieces
Cable Fixing	C66: 5.9 - 6.5 mm
Variant	

### Performance

Configuration	1S.275 : 1 Coax (75 Ohm)
Insulator	T: PTFE
Rated Current	10 Amps

### Specifications

Contact Type: Coaxial 75 Ohm (Solder)
Max. Matings: 1000
Contact Dia.: 1.3 mm (0.0512in)

LEMO products and services are provided "as is". LEMO makes no warranties or representations with regard to LEMO product & services or use of them, express, implied or statutory, including for accuracy, completeness, or security. The user is fully responsible for his products and applications using LEMO components.

Bucket Dia.: 1.1 mm (0.0432in)

Vtest: 2400 V (AC), 3300 V (DC)

Impedance: 75 Ohm

VSWR:  $1.02 + 0.08 * f/\text{GHz}$

Cable type: RG 179 B/U, RG 187 A/U, RG 58 C/U, RG 302 /U, RG 400 /U, 2YCCY, RG 59 B/U, RG 223 /U, HF-5408

## Others

Endurance (Shell): 5000 mating cycles

Temp (min / max):  $-55^{\circ}\text{C} / +250^{\circ}\text{C}$

Humidity (max):  $\leq 95\%$  [at  $60^{\circ}\text{C} / 140^{\circ}\text{F}$ ]

Vibration: 15 g [10 Hz - 2000 Hz]

Shock Resistance: 100 g [ 6 ms]

Salt Spray Corrosion: >144 hr

Climatical Category: 50/175/21

Shielding (min): 75 dB (10 MHz)

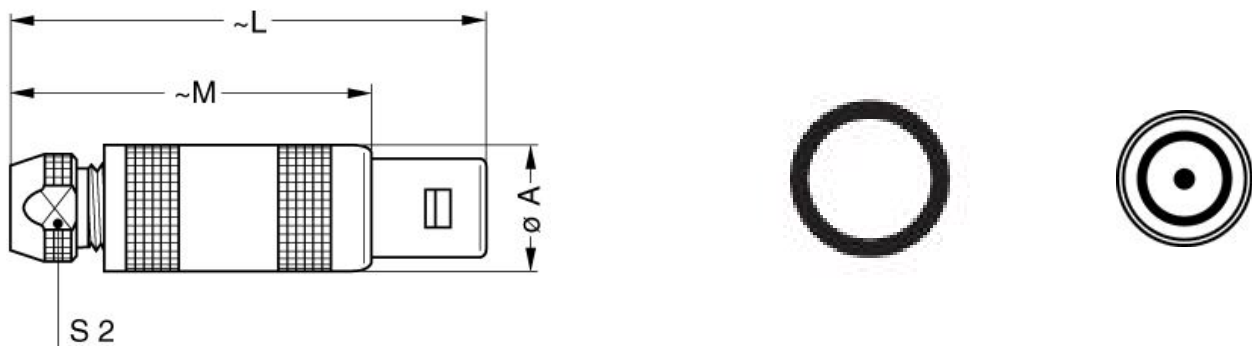
Shielding (min): 40 dB (1 GHz)

IP Rating: 50

---

## DRAWINGS

### Draws



### Dimensions

	A	L	M	S2
mm.	12	42.5	31.5	8.5
in.	0,47	1,67	1,24	0,33

---

## RECOMMENDED BY LEMO

LEMO products and services are provided "as is". LEMO makes no warranties or representations with regard to LEMO product & services or use of them, express, implied or statutory, including for accuracy, completeness, or security. The user is fully responsible for his products and applications using LEMO components.

## Tools

Spanner wrench: DCD.1S.015.PA085

## Cables

062 000	PVC	Black	
159 580	PVC	Black	
CCX.50.RG0.58AU61J	PVC	Yellow	
CCX.75.RG0.59BU62N	PVC	Black	
CCX.93.RG0.62AU62N	PVC	Black	

*LEMO products and services are provided "as is". LEMO makes no warranties or representations with regard to LEMO product & services or use of them, express, implied or statutory, including for accuracy, completeness, or security. The user is fully responsible for his products and applications using LEMO components.*