

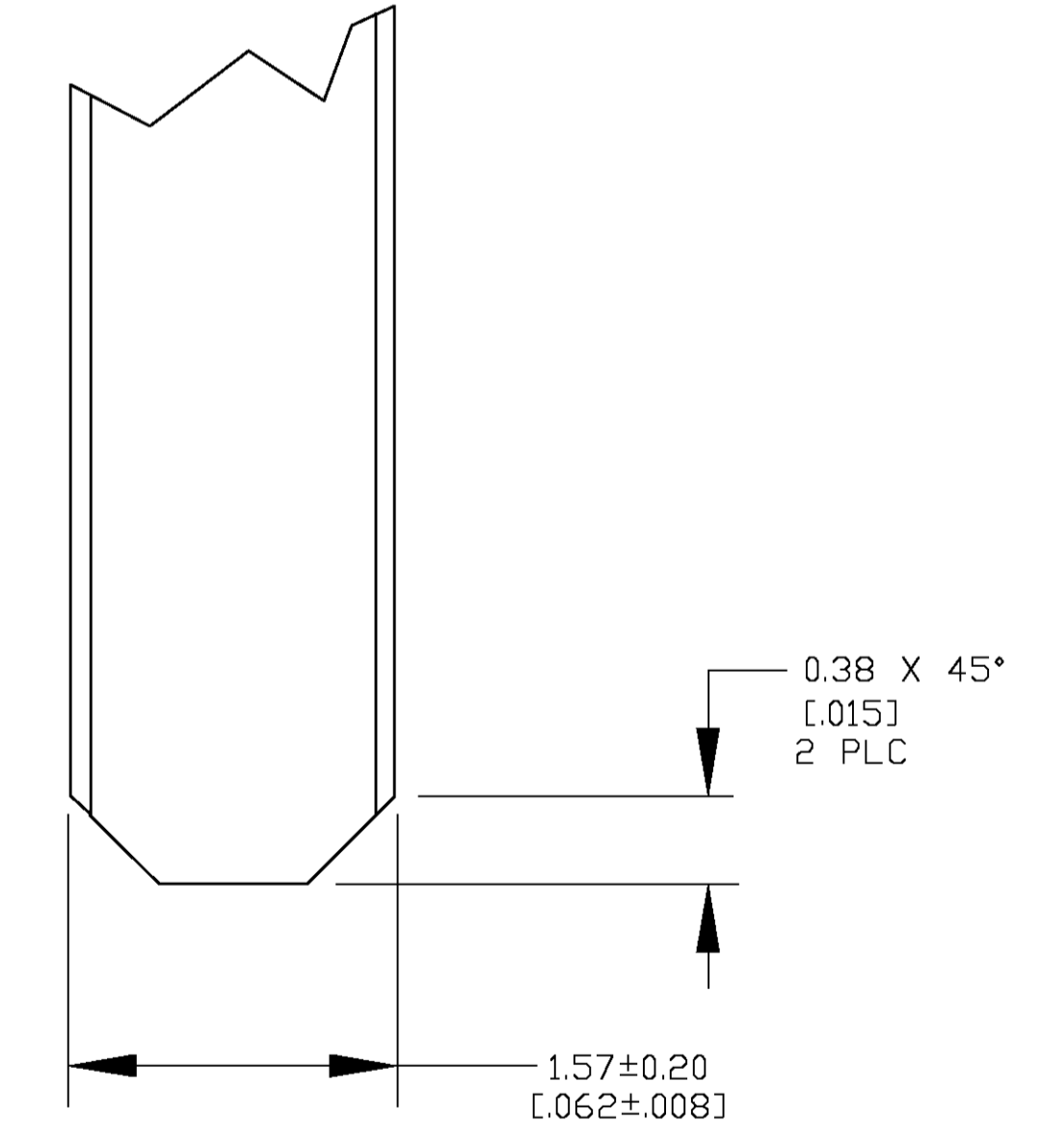
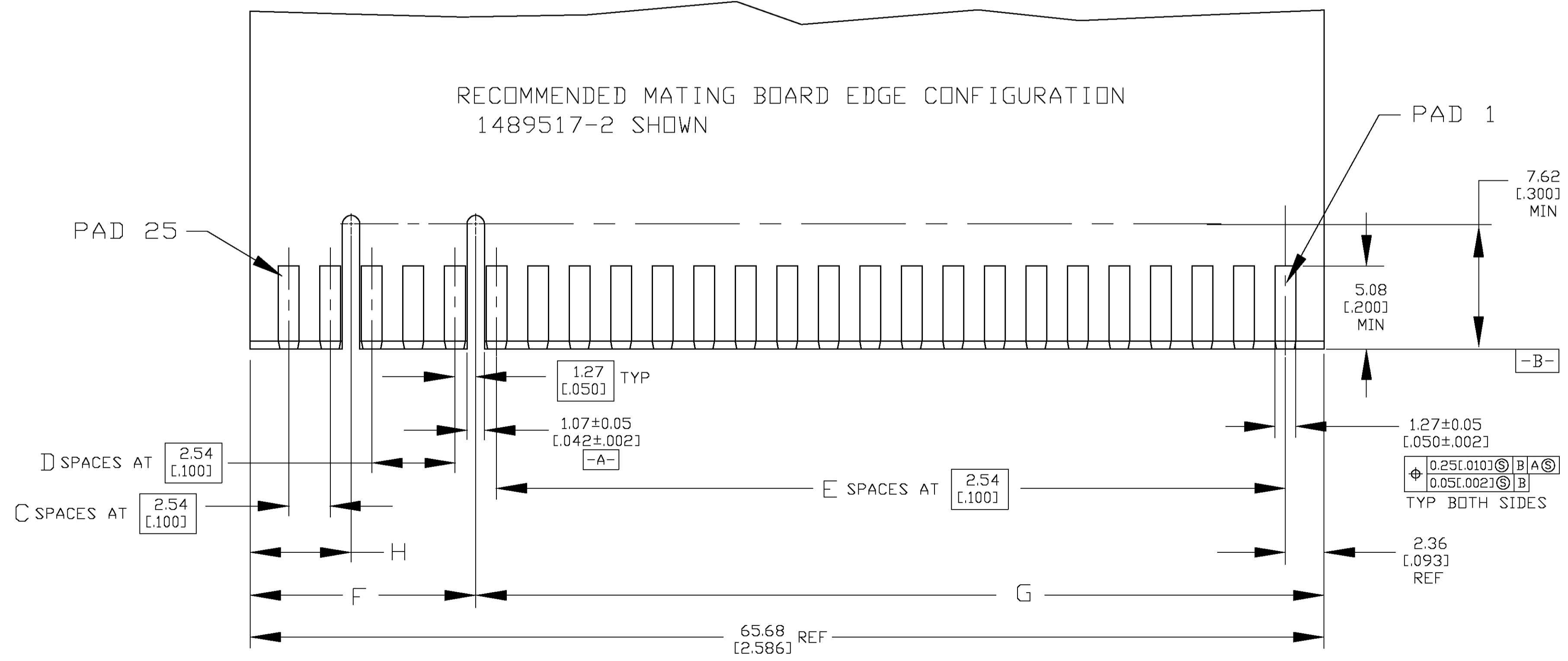
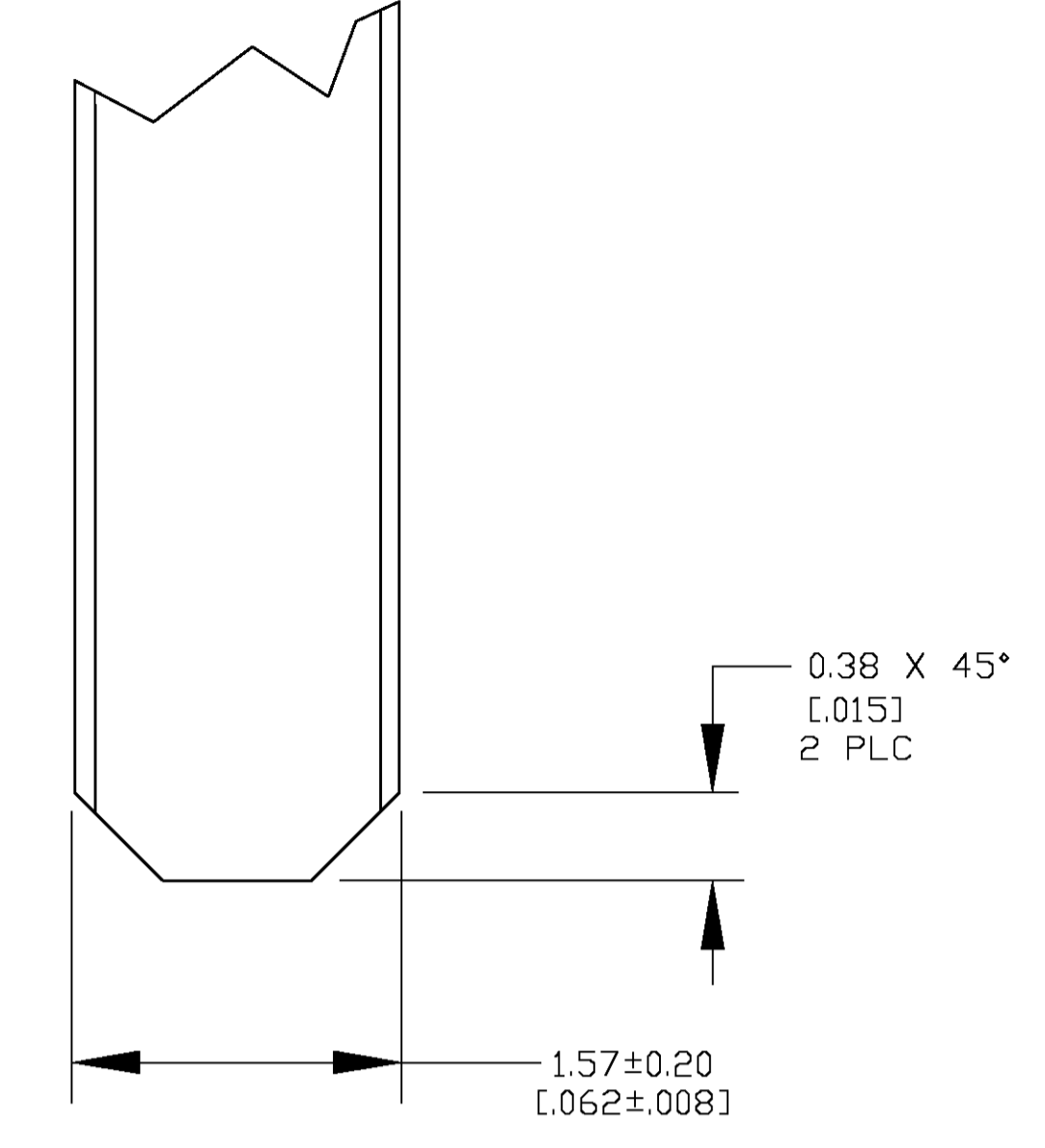
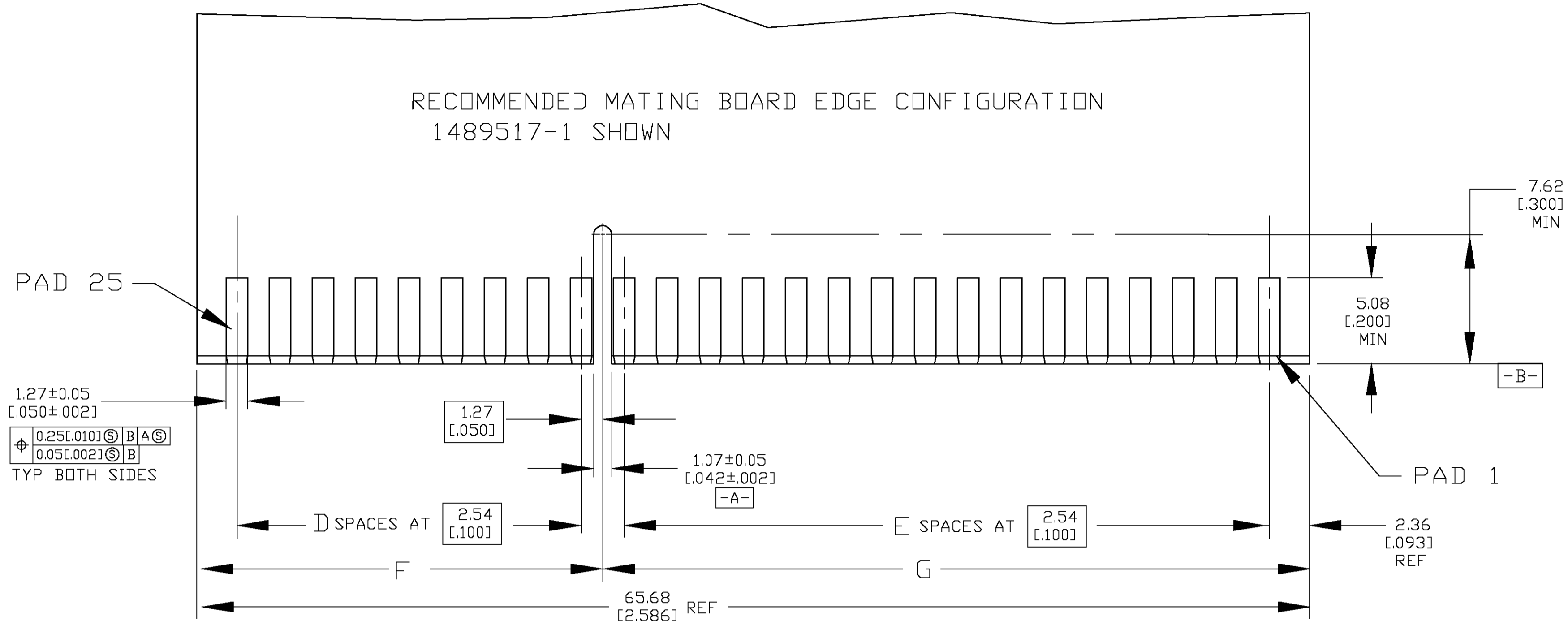
- ① HOUSING: GLASS FILLED POLYESTER; COLOR: BLACK.
- ② CONTACT: HIGH CONDUCTIVITY COPPER.
- ③ NICKEL UNDERPLATE: 0.00127 [0.000050] MIN - ALL OVER.
- ④ TIN-LEAD PLATE: 0.00254 [0.000100] MIN - SOLDER POSTS.
- ⑤ GOLD PLATE: 0.00038 [0.000015] MIN - CONTACT AREA.
- ⑥ NICKEL PLATE PER MIL-G-45204. GOLD PLATE PER QQ-N-290.
- ⑦ AMP PART NUMBER AND DATE CODE ARE MARKED IN APPROXIMATE AREA SHOWN, TOP SIDE.
- 8. RECOMMENDED PCB FINISHED HOLE $\phi 1.07 \pm 0.08$ [.042 ± 0.003].

1489517-2 SHOWN

OBSOLETE	17,20,21,24, 42,45,46,49	20,21,23,24	6.17 [.243]	51.89 [2.043]	13.79 [.543]	19	2	1	59.69 [2.350]	52.07 [2.050]	25	1489517-2
	16,17,21,24, 41,42,46,49	16,17	-	41.73 [1.643]	23.95 [.943]	15	8	-	-	41.91 [1.650]	25	1489517-1
	OMIT PINS	KEY LOCATION	H	G	F	E	D	C	B	A	NO OF POSN	PART NUMBER

THIS DRAWING IS A CONTROLLED DOCUMENT.

DRAWN: M. MORRIS	17JUL01		Tyco Electronics Corporation
CHK: A. FRANTUM	17JUL01		Harrisburg, Pa 17105-3608
APP'D: A. FRANTUM	17JUL01	NAME:	CONNECTOR ASSEMBLY, STANDARD EDGE II, HIGH CURRENT CARD EDGE II
PRODUCT SPEC:		APPLICATION SPEC:	2.54 [1.00] CL x 3.81 [150] RIGHT ANGLE
MATERIAL:		SIZE:	A100779C=1489517
FINISH:		WEIGHT:	
ANGLES:		CUSTOMER DRAWING:	SCALE: 5:1 SHEET 1 OF 2 REV D



THIS DRAWING IS A CONTROLLED DOCUMENT.		DNW M. MORRIS 17JUL01	17JUL01	 Tyco Electronics Corporation Harrisburg, Pa 17105-3608
DIMENSIONS: mm		CHK A. FRANTUM 17JUL01	17JUL01	
TOLERANCES UNLESS OTHERWISE SPECIFIED: 0 PLC ± - 1 PLC ± - 2 PLC ± ± 0.1 [0.005] 3 PLC ± ± - 4 PLC ± ± - ANGLES ± ± - FINISH		APVD A. FRANTUM 17JUL01	NAME CONNECTOR ASSEMBLY, STANDARD EDGE II, HIGH CURRENT CARD EDGE II	PRODUCT SPEC APPLICATION SPEC SIZE [0.100] CL x 3.81 [0.150], RIGHT ANGLE WEIGHT CUSTOMER DRAWING
		SCALE 5:1	DRAWING NO A1 00779 C=1489517	