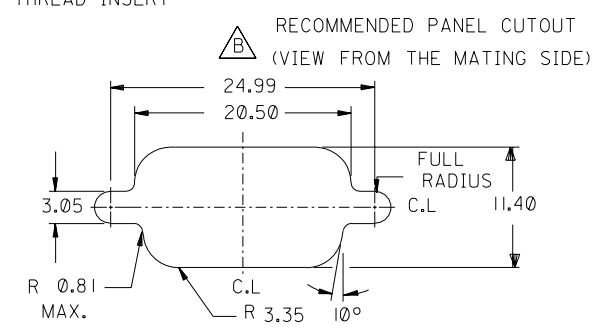
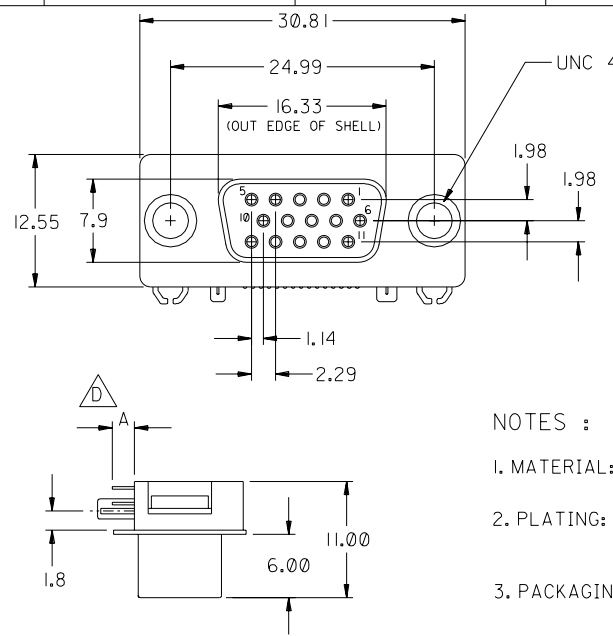
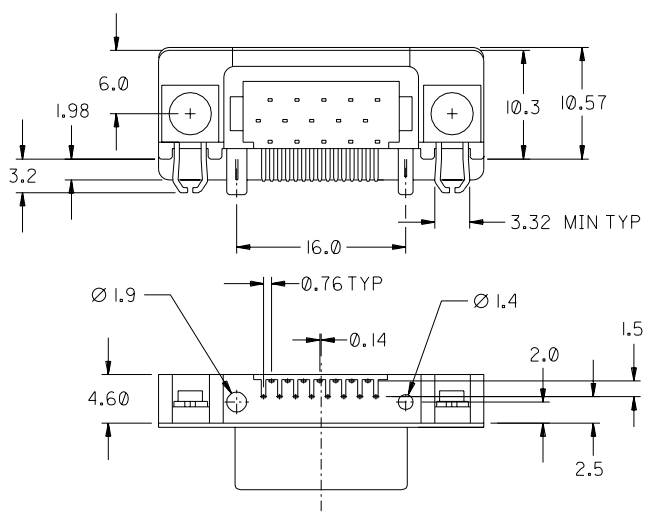
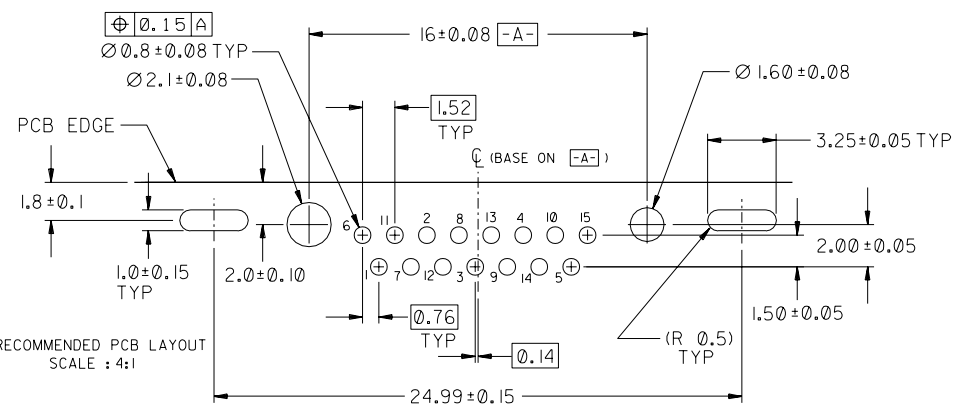


ENG. NO. SDA-89460-00**
 EDP NO.
 SIMILAR ITEM
 CADFILE NO. S89460.DGN
 DO NOT SCALE DRAWING



- NOTES :
1. MATERIAL: HOUSING---POLYESTER, GLASS FIBER FILLED
PIN---BRASS
 2. PLATING: UNDERPLATED OVERALL---NICKEL
SOLDER TAIL---3 MICROMETER TIN/LEAD
CONTACT AREA---SEE P/N LEGEND
 3. PACKAGING REFERS TO PK-89459-001



- LEGEND : 89460-0**
- D** DIMENSION A
0 - A = 2.1 mm
HOUSING COLOR:BLACK
 - 1 - A = 3.0 mm
HOUSING COLOR:BLUE(PC 99)
 - 2 - A = 3.0 mm
HOUSING COLOR:BLACK
- HEX SCREW OPTION :
- 1 - WITHOUT #4-40 SCREW
 - 3 - WITH 2 PCS #4-40 SCREW (NON-ASSEMBLED)

- CONTACT PLATING CODE :
 (SEE NOTE #2)
- 4 - 0.76 MICROMETER GOLD MINIMUM
 - 5 - 0.38 MICROMETER GOLD MINIMUM
 - 6 - GOLD FLASH

RECOMMENDED PCB LAYOUT SCALE : 4:1

ADD OPTION EC NO. T2004-0080 DRWN: THOMPSON WU CHK: APPR:	ADD DIMENSION OPTION "A" EC NO. T2003-0173 DRWN: G.WONG 980718 CHK: CELIA CHEN APPR: ERICK LAN	P/N LEGEND (TYPING ERROR) EC NO. T99-011 DRWN: G.WONG 980718 CHK: APPR:	RELEASE TO MANUFACTURING EC NO. T97-360 DRWN: NEIL 970627 CHK: APPR:	TOOLING RELEASE EC NO. T96-460 DRWN: R.YANG 960530 CHK: APPR:
E	D	C	B	A1

QUALITY SYMBOLS	MAJOR	CRITICAL
DESCRIPTION	REV	

GENERAL TOLERANCES: (UNLESS SPECIFIED)	SCALE 2:1	DESIGN UNITS
4 PLACES ± .	mm	<input checked="" type="checkbox"/> mm <input type="checkbox"/> INCH
3 PLACES ± .	INCH	
2 PLACES ± 0.25		
1 PLACE ± 0.25		
ANGULAR: ±3°		

DRAWN BY & DATE R.YANG 960521	CHECKED BY & DATE SAM SHIN	APPROVED BY & DATE WILSON CHANG
CAD FILENAME S89460.DGN	MATERIAL NO. SEE CHART	DRAWING NO. SDA-89460-00**

DIMENSIONS:		SHT	REV
<input type="checkbox"/> mm <input type="checkbox"/> INCH	<input type="checkbox"/> mm <input type="checkbox"/> ONLY		REVISE ON CAD ONLY
TITLE: 15 CKT ULTRA SLIM FEMALE DIP HDD-SUB			
MOLEX INCORPORATED			
THIS DRAWING CONTAINS INFORMATION THAT IS PROPRIETARY TO MOLEX INCORPORATED AND SHOULD NOT BE USED WITHOUT WRITTEN PERMISSION.		SHEET NO. 1 OF 1	SIZE A3