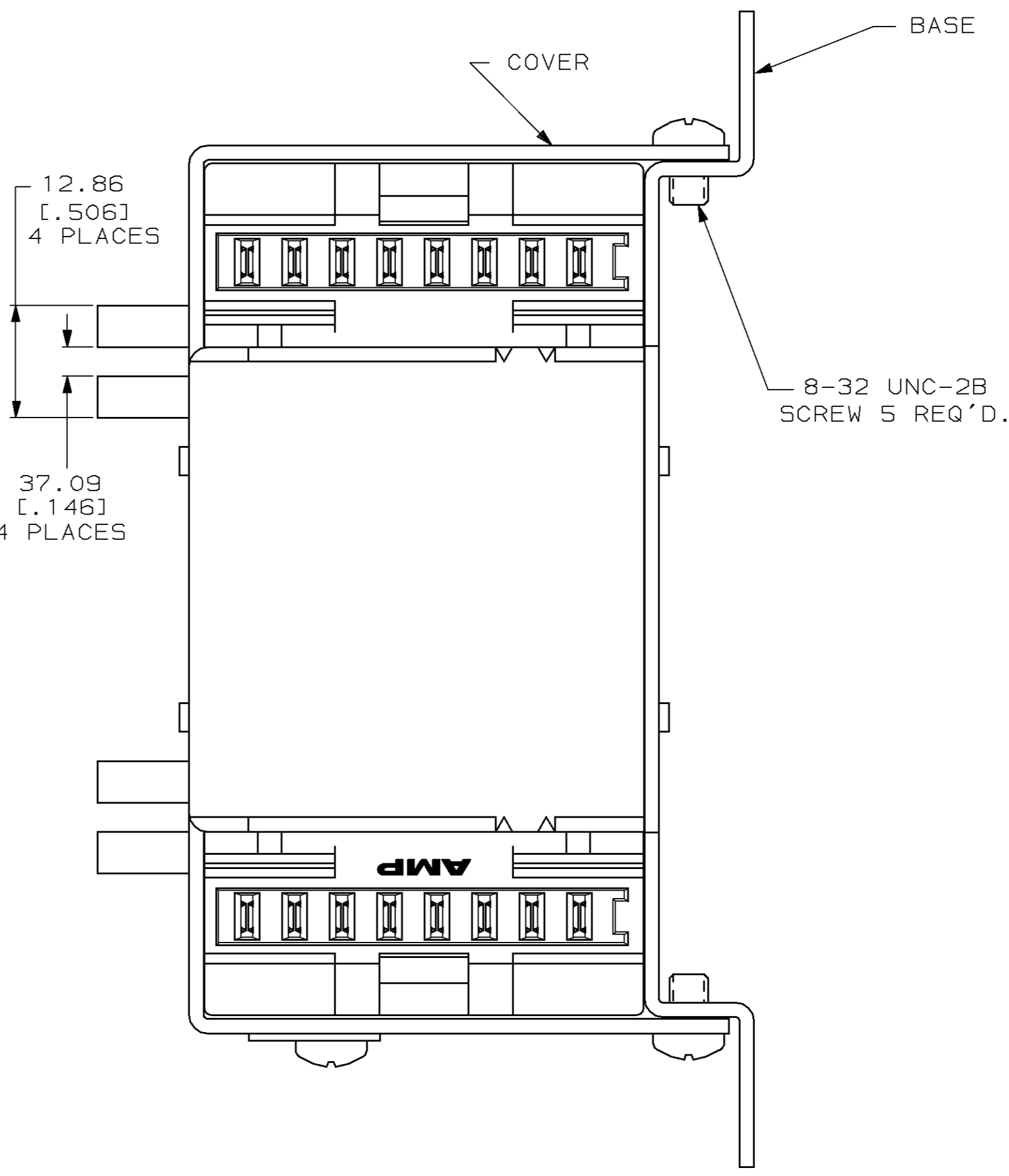
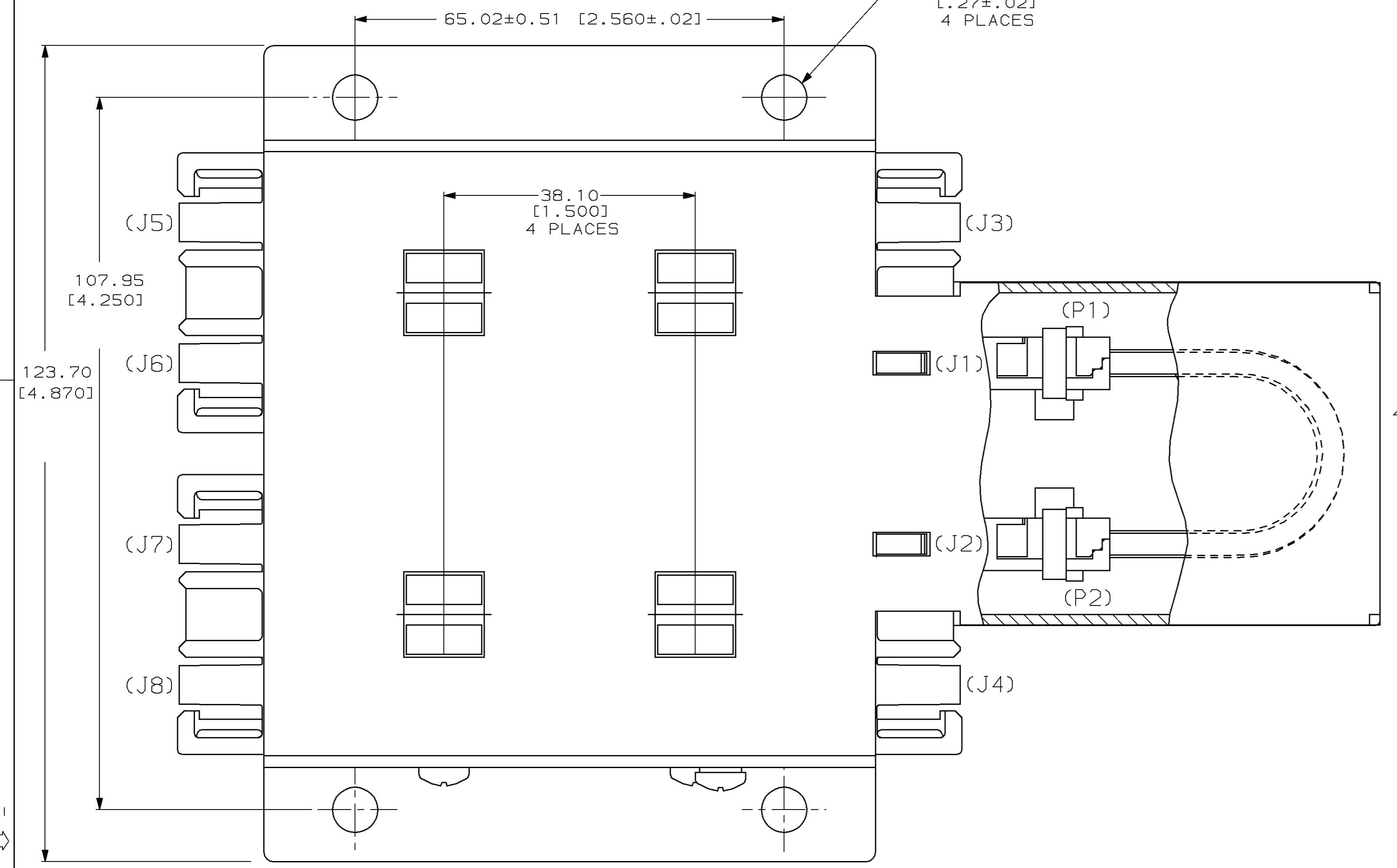
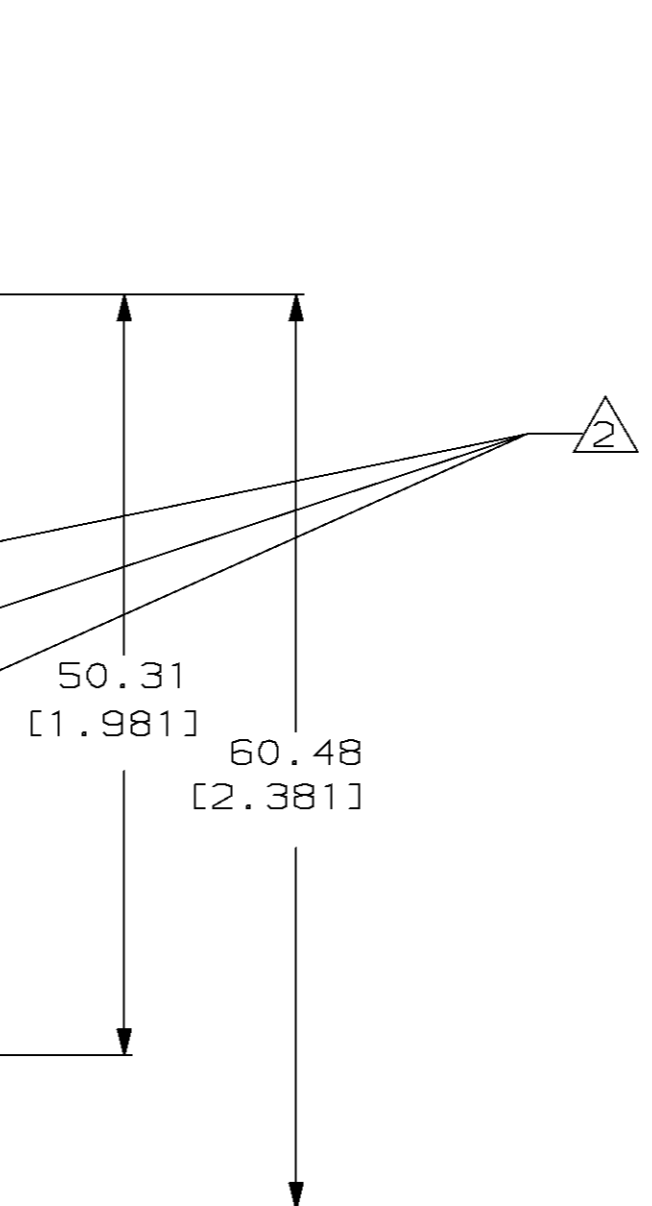
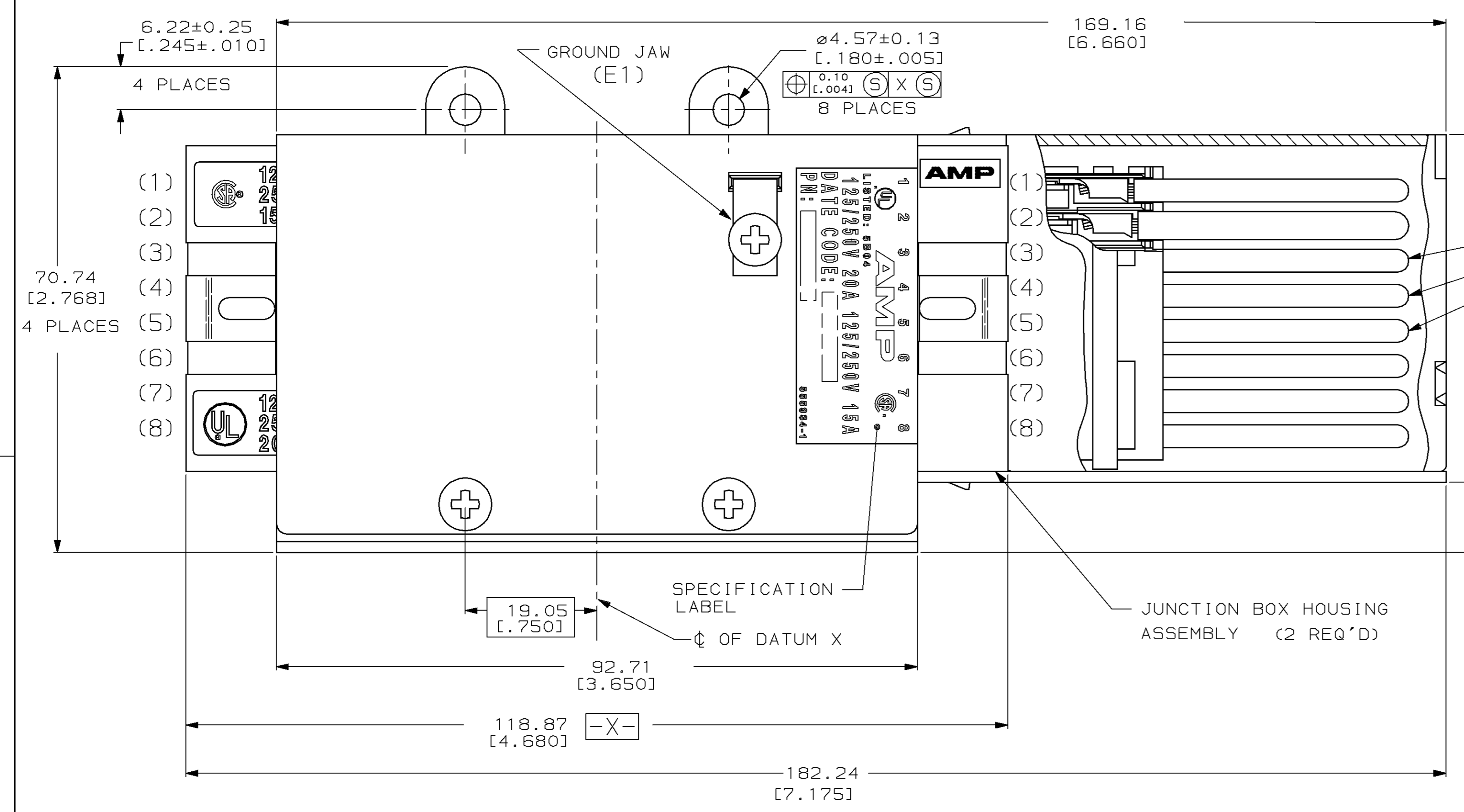


LOC		DIST		P		ZONE		LTR		REVISIONS			
AA	27									DESCRIPTION	DATE	APPD	
										D	ADD: -2; NPR C94-253; EC 0210-0590-94	9-7-94	BHS



- 1 ALL DIMENSIONS SHOWN ARE MAXIMUM UNLESS OTHERWISE SPECIFIED.
- 2 THESE POSITIONS ARE NOT ASSEMBLED FOR 556794-2 ONLY.
- 3 MATERIAL: JUNCTION BOX HOUSING - POLYCARBONATE, 94V-0, BLACK.  
 BASE & COVER - ZINC PLATED CARBON STEEL, .32 OZ PER SQUARE FOOT MINIMUM THICKNESS.  
 JUNCTION BOX CONTACTS - COPPER ALLOY TIN PLATED AND SILVER PLATED .000200 [0.00508] MINIMUM THICKNESS.  
 GROUND JAW - COPPER ALLOY TIN PLATED .000100 [0.00254] MINIMUM THICKNESS.
- 4 APPLICATION: INNERGY™ - MODULAR WIRING SYSTEM A MANUFACTURED WIRING SYSTEM.

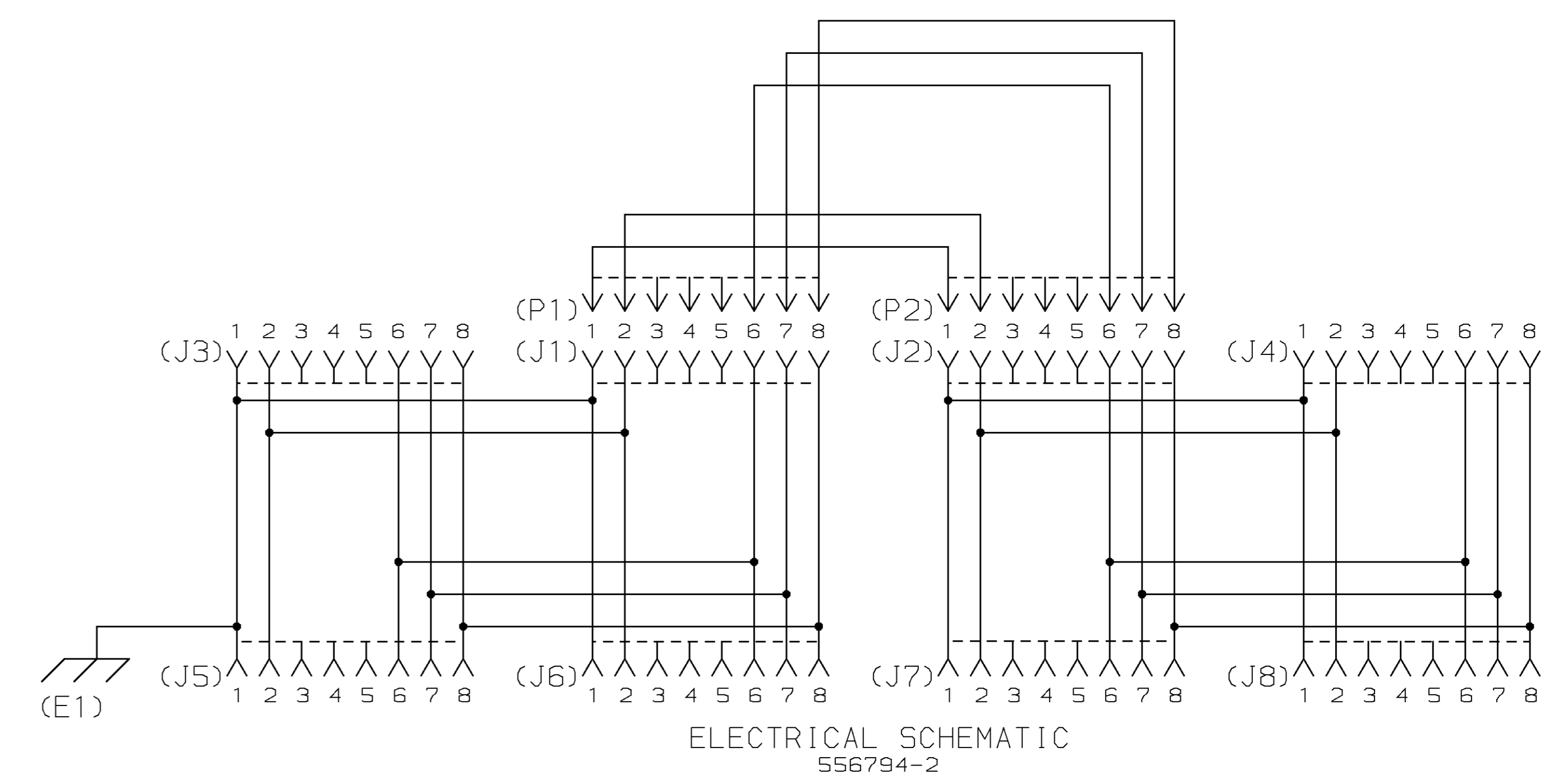
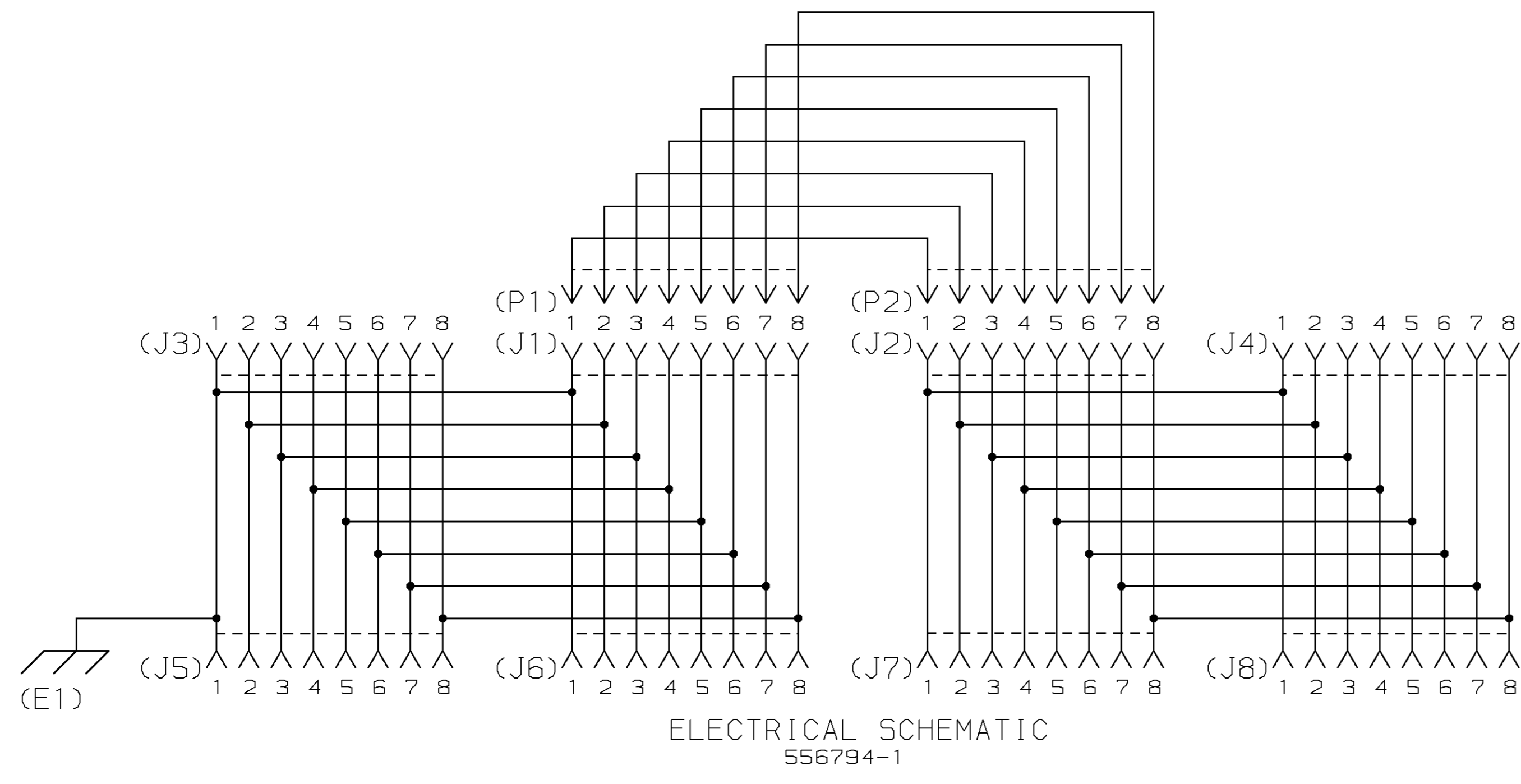


THIS DRAWING IS A CONTROLLED DOCUMENT FOR AMP INCORPORATED. IT IS SUBJECT TO CHANGE AND THE CONTROLLING ENGINEERING ORGANIZATION SHOULD BE CONTACTED FOR THE LATEST REVISION.

DO NOT SCALE PRINT. UNLESS SPECIFIED DIMENSIONS IN mm [INCHES]	DR 10-11-90 RB. INZERILLO
TOLERANCES ON:	CHK 3-26-91 B. FOX
2 PLC DEC ± -	APPD 3-28-91 J.B. KILPATRICK
3 PLC DEC ± -	APPD 4-1-91 J.B. WILKERSON
ANGLES ± -	PRODUCT SPEC -
MATERIAL	FINISH
3	3
APPLICATION SPEC	WEIGHT -

5 WIRE	556794-2	
8 WIRE	556794-1	
DESCRIPTION	PART NO	
<b>AMP</b> AMP Incorporated Harrisburg, PA 17105-3608		
NAME DISTRIBUTION UNIT ASSEMBLY, 6 PORT		
SIZE	CAGE CODE	DRAWING NO
D	00779	C-556794
SCALE	2:1	SHEET 1 OF 2

LOC		DIST		ZONE		LTR		REVISIONS		
AA	27	P	F					DESCRIPTION	DATE	APPD
								D SEE SHEET 1	-	-



DESCRIPTION				PART NO	
DO NOT SCALE PRINT. UNLESS SPECIFIED DIMENSIONS IN mm [INCHES] TOLERANCES ON: 2 PLC DEC ± 3 PLC DEC ± ANGLES ±				DR 9-22-94 B. SIMPSON	
				CHK 9-23-94 B. FOX	
				APPD 9-23-94 J. KILPATRICK	
MATERIAL				NAME	
-				AMP Incorporated Harrisburg, PA 17105-3608	
FINISH				PRODUCT SPEC	
-				-	
APPLICATION SPEC				SIZE	CAGE CODE
-				D	00779
WEIGHT				DRAWING NO	
-				©-556794	
				SCALE	SHEET
				2:1	20F2

THIS DRAWING IS A CONTROLLED DOCUMENT FOR AMP INCORPORATED. IT IS SUBJECT TO CHANGE AND THE CONTROLLING ENGINEERING ORGANIZATION SHOULD BE CONTACTED FOR THE LATEST REVISION.