

10 9 8 7 6 5 4 3 2 1

F

E

D

C

B

A

F

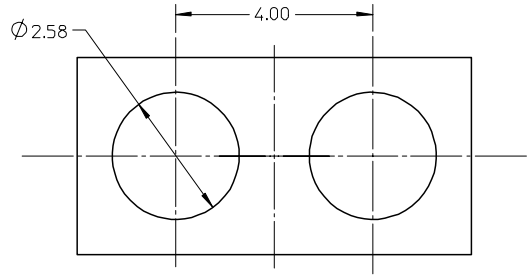
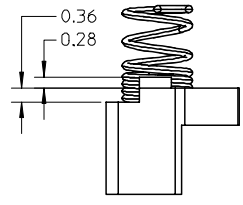
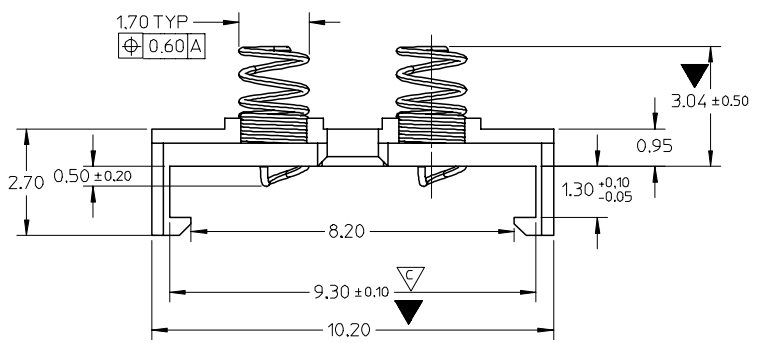
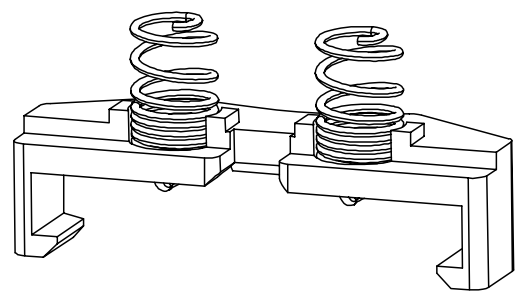
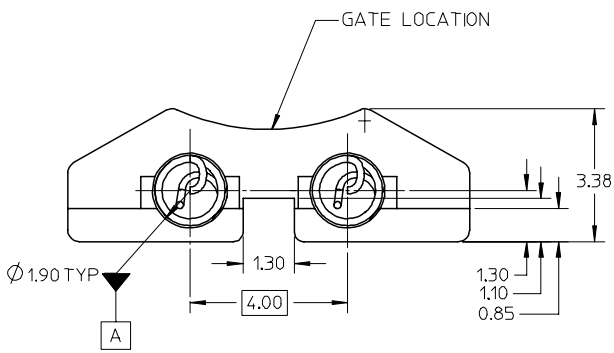
E

D

C

B

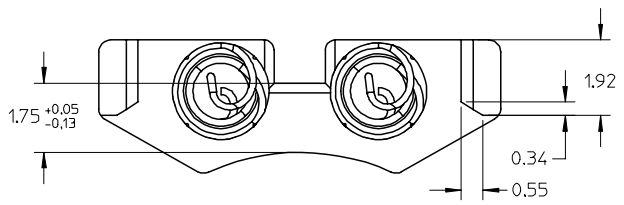
A



RECOMMENDED PCB LAYOUT

NOTES:

- 1.MATERIALS:
HOUSING:POLYESTER(PBT),GLASS FILLED,UL94 V-0; COLOR:BLACK
SPRING: PIANO WIRE
- 2.FINISHS:
2 MICRON Cu UNDERCOAT.
2.5 MICRON Ni MIN BARRIER.
0.2 MICRON Au MIN OVERALL.
- 3.PRODUCT SPECIFICATION:PS-47203-001.
- 4.PACKAGING SPECIFICATION:PK-47203-001.



REVISED	EC NO:	2006/01/18	QUALITY SYMBOLS	▽=2 C=1	GENERAL TOLERANCES (UNLESS SPECIFIED)		DIMENSION STYLE		SCALE	DESIGN UNITS	THIRD ANGLE PROJECTION
	DRWN:	CY ZHU			mm	INCH	5:1	METRIC			
	CHKD:	XI XU			DRAWN BY		DATE	TITLE			
	APPR:	Y JMU			SSUN		2004/12/15	2 PINS PTT SPEAKER CONNECTOR			
			4 PLACES	± ---	± ---	CHECKED BY	DATE	MOLEX INCORPORATED			
			3 PLACES	± ---	± ---	RAYZHAO	2004/12/15	MATERIAL NO.			
			2 PLACES	± 0.13	± ---	VINCENT YAH	2004/12/15	DOCUMENT NO.		SHEET NO.	
			1 PLACE	± 0.25	± ---	ANGULAR ± 1 °		472030001		SD-47203-001	1 OF 1
			DRAFT WHERE APPLICABLE MUST REMAIN WITHIN DIMENSIONS			SIZE		THIS DRAWING CONTAINS INFORMATION THAT IS PROPRIETARY TO MOLEX INCORPORATED AND SHOULD NOT BE USED WITHOUT WRITTEN PERMISSION			

9 8 7 6 5 4 3 2 1