

IEC Pin and Sleeve
Accessories
Back Box

HUBBELL

Ordering Information

Description	Device Color	UPC	Catalog Number
Metallic Back Box, 20/30A, 1", Angled, Aluminum	Aluminum	783585390451	BB301W

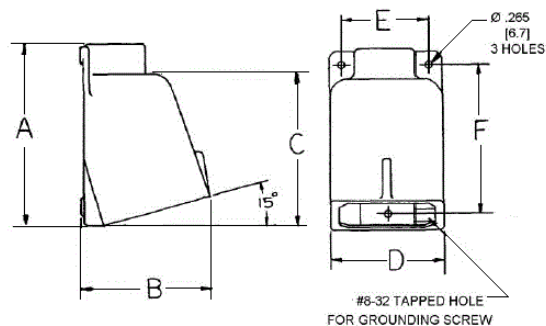


Listings

UL Raintight and External Icing Test

Specifications

Accessory Item	Cast Aluminum Back Box
Back Box	15 Degree Angle
Box Hub Size	1" NPT



CATALOG NOS.	A	B	C	D	E	F
BB201W	5.13 [130.3]	4.00 [101.6]	4.19 [108.4]	3.75 [95.2]	3.00 [76.2]	4.00 [101.6]
BB301W	5.13 [130.3]	4.00 [101.6]	4.19 [108.4]	3.75 [95.2]	3.00 [76.2]	4.00 [101.6]
BB601W	7.25 [184.2]	5.25 [133.4]	6.00 [152.4]	4.50 [114.3]	3.75 [95.2]	6.19 [157.2]
BB602W	7.25 [184.2]	5.25 [133.4]	6.00 [152.4]	4.50 [114.3]	3.75 [95.2]	6.19 [157.2]
BB1001W	8.13 [206.5]	6.75 [171.4]	6.88 [174.8]	5.50 [139.7]	4.75 [120.6]	6.34 [176.3]
BB1002W	8.13 [206.5]	6.75 [171.4]	6.88 [174.8]	5.50 [139.7]	4.75 [120.6]	6.34 [176.3]

Performance

Environmental	
Moisture Resistance	IP54 Suitability

Accessories

Receptacle/Inlet Accommodation 16A, 20A, 30A & 32A IEC Pin & Sleeve
Receptacle/Inlet Accommodation Watertight Safety-Shroud®

Resources

Customer Use Drawing
eCatalog

Dimensions in Inches (mm)

Hubbell Wiring Device-Kellems • Hubbell Incorporated (Delaware) • 40 Waterview Drive • Shelton, CT 06484

Phone (800) 288-6000 • Fax (800) 255-1031 • Specifications subject to change without notice.

