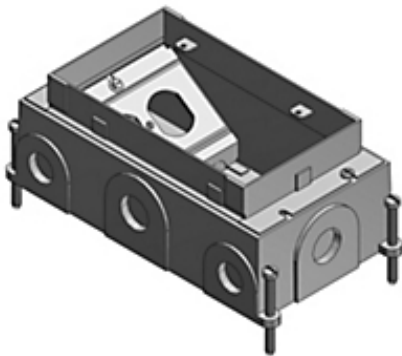




Actual



Representative

Catalog Number: 664 CI
Product ID: 7TAA003100R0000
UPC Number: 78599161890
Status: Active

Two Gang Recessed Service Floor Box, 90 Cubic Inches, Length 9-15/16 Inches, Width 5-3/32 Inches, Depth 3-3/4 Inches, 3/4 Inch and 1 Inch Conduit Hubs, Cast Iron, Delivers Power, Communications and Data from Standard Conduit with No Exposed Service Fittings

- Carpet covering eliminates unsightly service fittings and metal floor plates
- Power cords & low voltage cables run through retractable exit
- Power and communications/data can be disconnected quickly
- Accepts 2 plates, one duplex plate provided.
- Blank partitions available

North American Specifications (UNSPSC)

UNSPSC	39121307 Floor boxes
IGCC	4432 Floor boxes
Brand Name	Steel City
Type	Recessed Service
Special Features	Hinged floor plate is steel reinforced for superior load bearing and provides easy access to devices
Application	Multiple service floor box that deliver power, communications and data from standard conduit with no exposed service fittings.
Standard	UL E2969
Material	Cast Iron
Cubic Capacity	90 Cubic Inches

European Specifications (ETIM)

ETIM	EC000024 Installation box for underfloor-installation
Cover model	Rectangular
Suitable for wet cleaning	Y
Suitable for hollow floor	Y
Material	Other
With opening carpeting	N
Min. built-in depth	92.075mm
Colour	Other
Length external dimension	252.3998mm
Width outside dimension	129.3622mm

Packaging

Outer Quantity	1
Outer Dimensions (inches)	10.2x4.3x7
Weight Uom	832.5 lbs. per 100

Documents / Support Tools

Technical Drawing / Data Sheet US	Available on Website
Technical Drawing / Data Sheet Canada	Available on Website
Instruction Sheet	TA02125-TB2
Support/Tools	Available on Website

For further technical assistance, please contact us...

Thomas & Betts - USA
 8155 T&B Blvd.
 Memphis, TN 38125

T&B Technical Support
 MS 3B-50
 8155 T&B Blvd.

Hours: 7AM - 6PM CDT
 Monday-Friday
 Phone: (888) 862-3289

