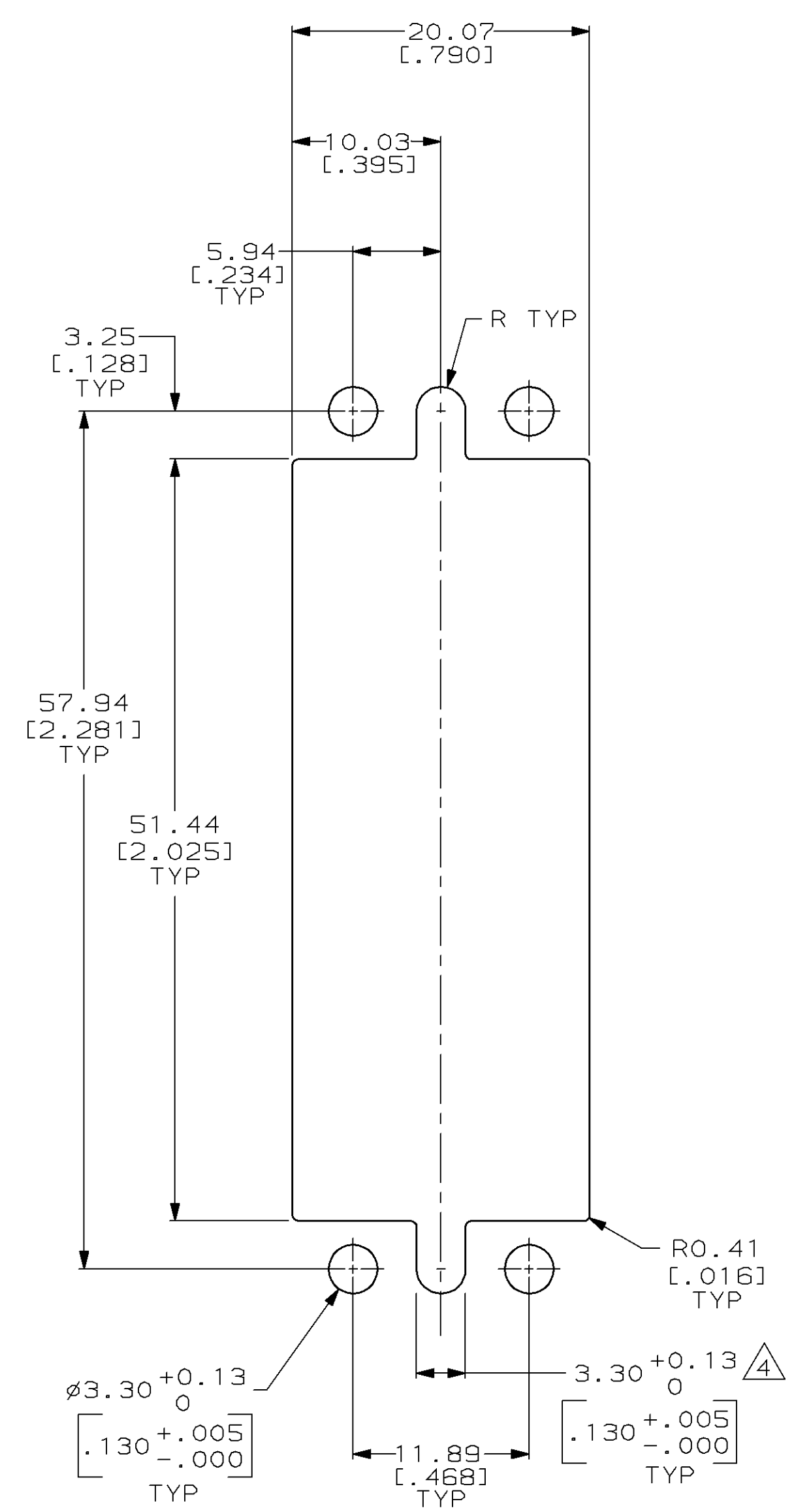
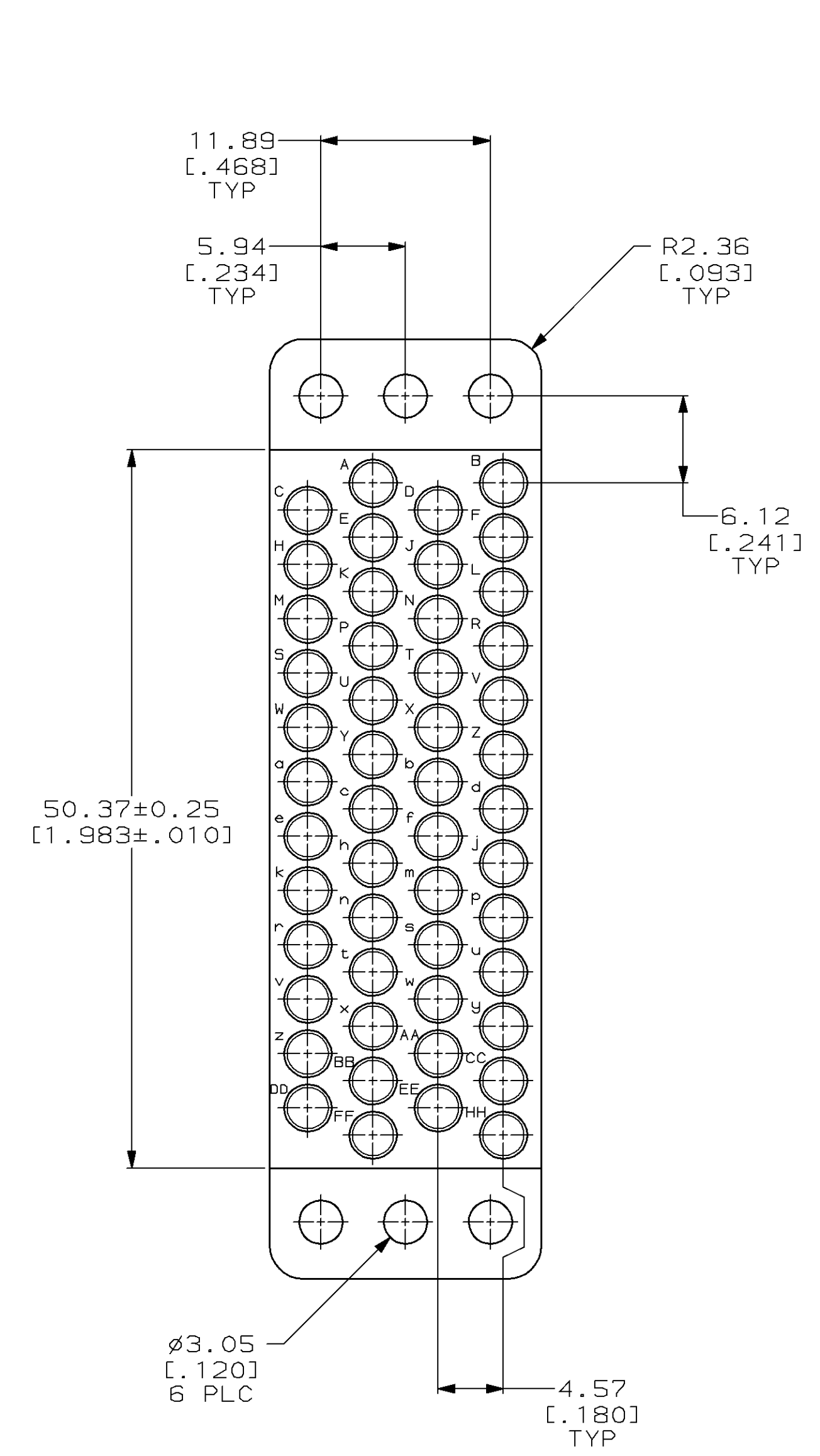
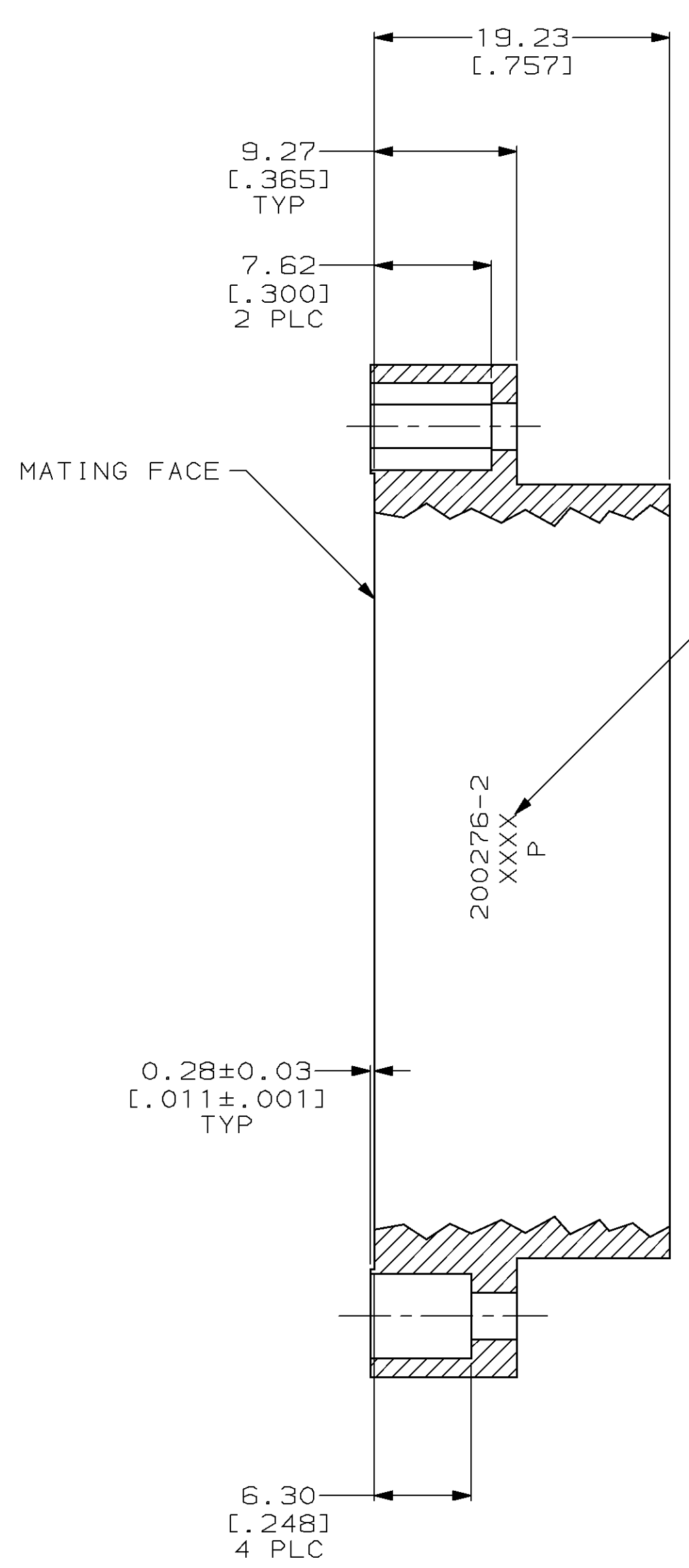
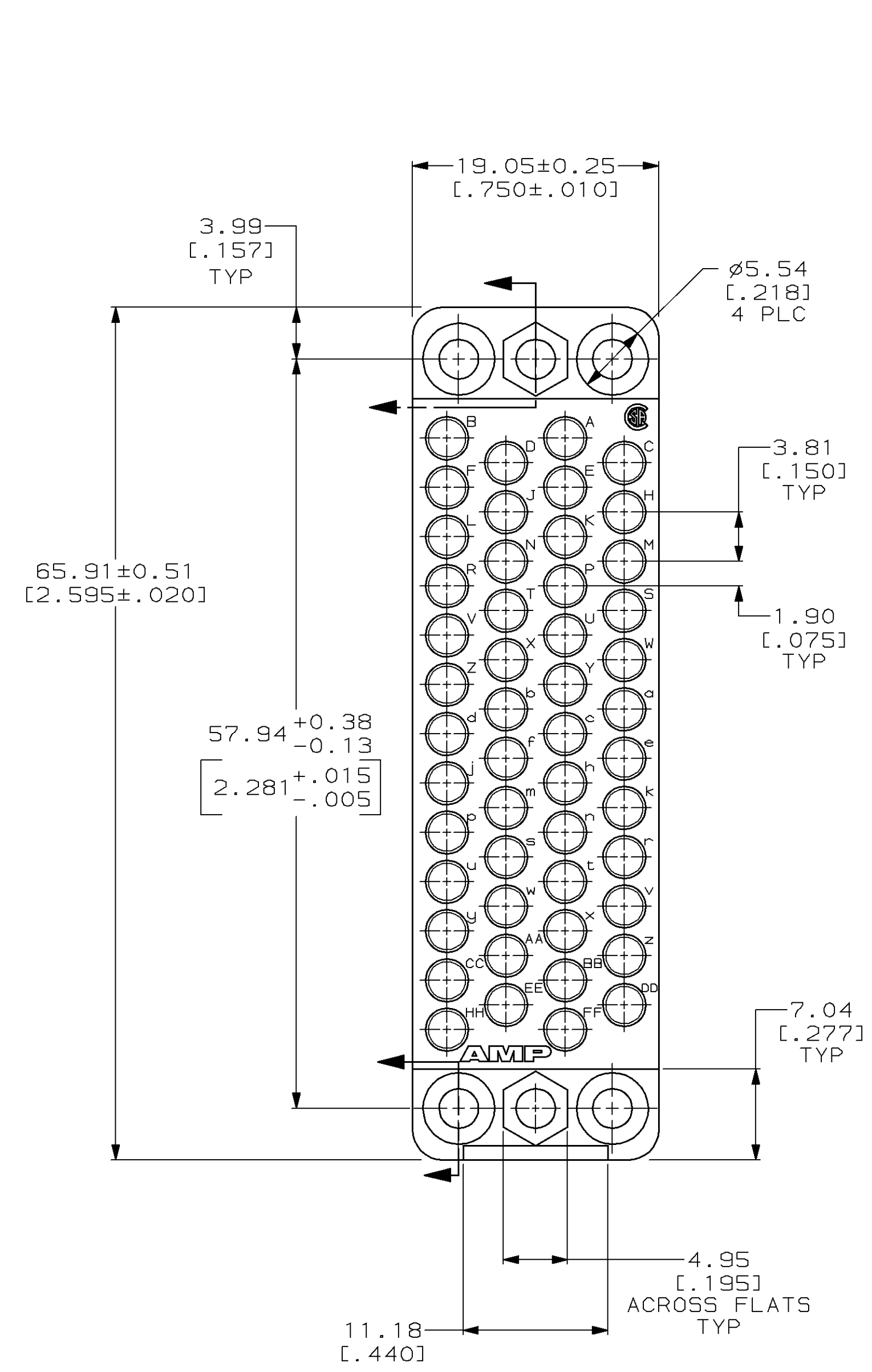


LOC	DIST	REVISIONS			
P	LTR	DESCRIPTION	DATE	OWN	APVD
AJ		REDRAWN W/O CHANGE PER EC 0020-290-96	23 JUL 97	-	-
AK		OBSOLETE -7	24 JUL 97	BC	GS
		PER EC 0320-239-97			



- 1 PHENOLIC PER MIL-M-14, TYPE CFG, BLACK.
- 2 MATES WITH BLOCK 200277.
- 3 ACCOMODATES TYPE II #20 PIN CONTACTS.
- 4 $5.54^{+0.13}_0$ $[\frac{.218^{+.005}}{-.000}]$ WHEN USING JACKSCREWS.

200276-2
PART NUMBER

THIS DRAWING IS A CONTROLLED DOCUMENT.		OWN R. CARBO	23 JUL 97	AMP AMP Incorporated Harrisburg, PA 17105-3508
DIMENSIONS: mm (INCHES)		CHK R. STONE	06 AUG 97	
TOLERANCES UNLESS OTHERWISE SPECIFIED:		APP'D G. STEINHAUER	07 AUG 97	NAME BLOCK, MALE, 50 POSITION, MINIATURE, RECTANGULAR M SERIES
0 PLC ±		PRODUCT SPEC		
1 PLC ±		APPLICATION SPEC		SIZE A1
2 PLC ±0.13 (.005)		WEIGHT		CAGE CODE 00779
3 PLC ±		MATERIAL		DRAWING NO 200276
4 PLC ±		FINISH		RESTRICTED TO
ANGLES ±		CUSTOMER DRAWING		SCALE 3:1
MATERIAL		SCALE		SHEET 1 OF 1
FINISH		REV		AK