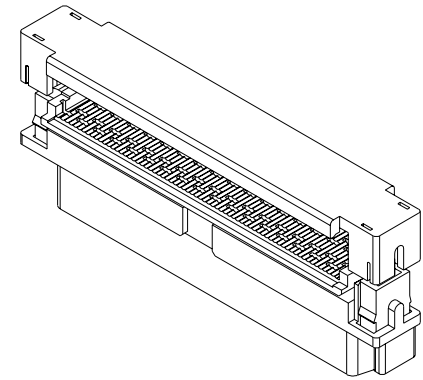
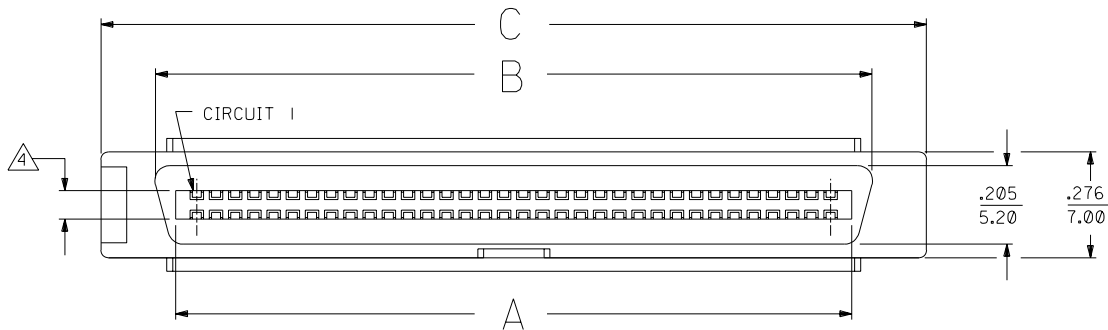
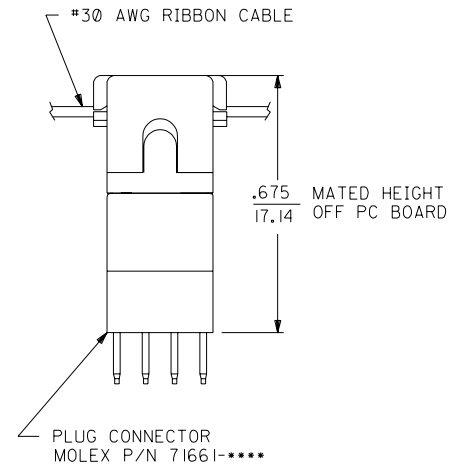
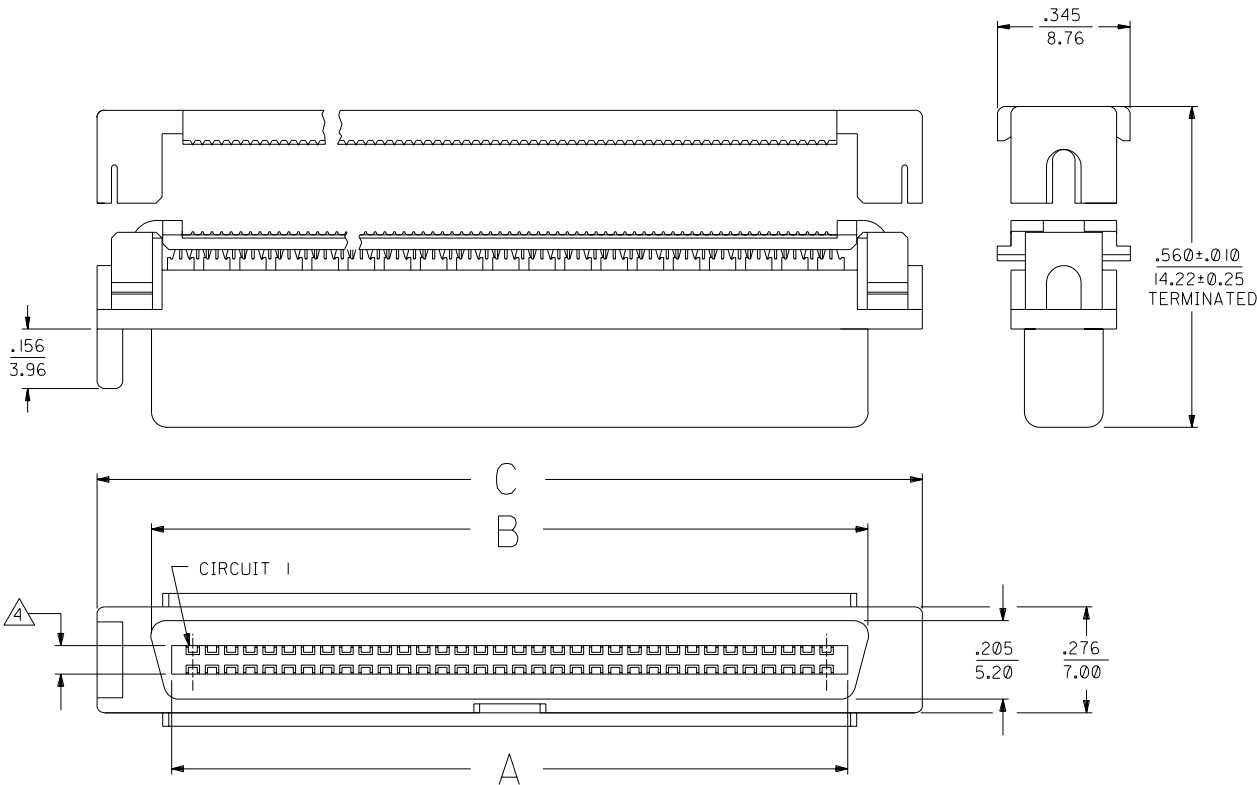


NOTES:

- 1) MATERIALS:
HOUSING- LCP, GLASS FILLED, 94V-0, BLACK.
ALIGNER, TERMINATION COVER- POLYESTER, GLASS FILLED, 94V-0, BLACK.
TERMINALS- COPPER ALLOY
- 2) PLATING:
.000030 INCHES GOLD IN SELECTIVE CONTACT AREA OVER
.000050-.000100 INCHES NICKEL IN CONTACT AREA.
.000100-.000200 INCHES TIN IN SOLDER TAIL AREA.
- 3) ASSEMBLY MATES WITH MOLEX P/N SDA-71661-****.
CONFORMS TO PRODUCT SPECIFICATION PS-71660.
- 4) CONNECTOR WILL ACCEPT MATING TO A P.C. BOARD WITH
A THICKNESS OF .062±.003.
- 5) CONNECTOR WILL TERMINATE .025 ¢ FLAT RIBBON CABLE,
#30 AWG STRANDED OR SOLID, PVC INSULATION.
- 6) PRODUCT IS SHIPPED AS A KIT. THE HOUSING/ALIGNER SUB-ASSEMBLY
IS SHIPPED TRAY PACKED. THE TERMINATION COVER IS
SHIPPED BULK PACKED.



68 CIRCUIT AS SHOWN
SCALE- 2:1



2.445 (62.10)	2.166 (55.02)	2.025 (51.43)	80	71660-3980
2.145 (54.48)	1.866 (47.40)	1.725 (43.81)	68	71660-3860
1.945 (49.40)	1.666 (42.32)	1.525 (38.74)	60	
1.695 (43.05)	1.416 (35.97)	1.275 (32.38)	50	
1.445 (36.70)	1.166 (29.62)	1.025 (26.04)	40	
1.195 (30.35)	.916 (23.27)	.775 (19.68)	30	
C	B	A	CKT	ENGINEERING NUMBER
				EDP NUMBER

DIMENSIONS SHOWN (METRIC) INCH UNLESS OTHERWISE SPECIFIED TOLERANCES: ANGULAR ± 1/2°		▽ = 0 ▼ = 0		REVISE ONLY ON CAD SYSTEM	
3 PLACE ± .005 ---		INCH METRIC		TITLE	
2 PLACE ± .01 ± 0.13				SALES ASSEMBLY EBBI VERTICAL IDT RECEPTACLE CONNECTOR	
1 PLACE --- ± 0.25		DRAFT WHERE APPLICABLE MUST REMAIN WITHIN DIMENSIONS		MOLEX INCORPORATED SHEET NO. DATE U.S.A. 1 OF 1 04/7/11	
DRWG. NO. RKA		CHK'D. BY BB		PART NO. SD-71660-004	
APP'D. BY SM		SCALE 4:1		FILE NAME SD716604X1.DWG	
				THIS DRAWING CONTAINS INFORMATION THAT IS PROPRIETARY TO MOLEX INC. AND SHOULD NOT BE USED WITHOUT WRITTEN PERMISSION	

71660

C C