

PLEASE CHECK WWW.MOLEX.COM FOR LATEST PART INFORMATION

Part Number: [78079-0015](#)
Status: **Active**
Overview: [DDR3 DIMM](#)
Description: 1.00mm Pitch DDR3 DIMM Socket, Vertical, Through Hole, with Beveled Metal Pins, Black Housing and Latches, 0.76µm Gold (Au) Plating, 4.00mm Soldertail, 240 Circuits, Lead-Free

Documents:

[Drawing \(PDF\)](#) [RoHS Certificate of Compliance \(PDF\)](#)

General

Product Family	Memory Module Sockets
Series	78079
Component Type	Socket
JEDEC Outline	MO-269
Overview	DDR3 DIMM
Product Name	DDR3 DIMM

Physical

Circuits (Loaded)	240
Circuits (maximum)	240
Color - Resin	Black
Durability (mating cycles max)	25
Entry Angle	Vertical
Function Key	None
Keying to Mating Part	Yes
Material - Metal	Copper Alloy
Material - Plating Mating	Gold
Material - Plating Termination	Tin
Material - Resin	High Temperature Thermoplastic
PC Tail Length	4.00mm
PCB Locator	Yes
PCB Retention	Yes
PCB Thickness - Recommended	3.18mm
Packaging Type	Tray
Pitch - Mating Interface	1.00mm
Pitch - Termination Interface	1.00mm
Plating min - Mating	0.762µm
Plating min - Termination	2.540µm
Temperature Range - Operating	-55°C to +85°C
Termination Interface: Style	Through Hole

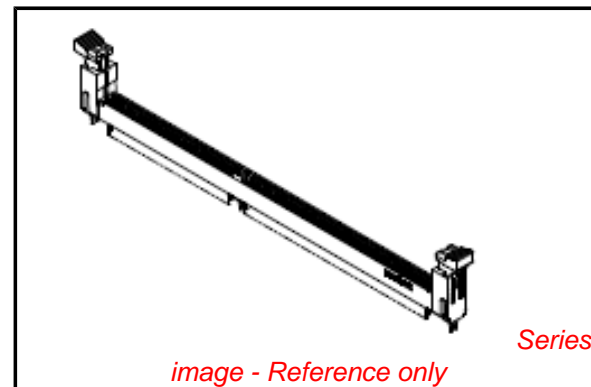
Electrical

Current - Maximum per Contact	1A
Voltage - Maximum	30V AC (RMS)/DC
Voltage Key	Center

Solder Process Data

Duration at Max. Process Temperature (seconds)	5
Lead-free Process Capability	SMC & Wave Capable (TH only)
Max. Cycles at Max. Process Temperature	2
Process Temperature max. C	260

Material Info



EU RoHS

**ELV and RoHS
Compliant**
REACH SVHC
 Not Reviewed
Low-Halogen Status
 Not Reviewed

China RoHS



**Need more information on product
environmental compliance?**

Email productcompliance@molex.com
 For a multiple part number RoHS Certificate of Compliance, [click here](#)

Please visit the [Contact Us](#) section for any non-product compliance questions.

Search Parts in this Series

78079Series

Mates With

JEDEC standard 1.27mm modules

This document was generated on 04/02/2012

PLEASE CHECK WWW.MOLEX.COM FOR LATEST PART INFORMATION