

PLEASE CHECK WWW.MOLEX.COM FOR LATEST PART INFORMATION

Part Number: [87609-0062](#)
Status: **Active**
Description: 1.27mm Pitch DIMM 8-Byte Socket, Right Angle, Multi-Key, 168 Circuits, with Beveled Metal Pins and Plastic Pegs, with Beige Latches, 3.18mm Tail Length, 0.38µm Gold (Au) Plating, Right Function Key, Lead-Free

Documents:

[3D Model](#) [Product Specification PS-87609-002 \(PDF\)](#)
[Drawing \(PDF\)](#) [RoHS Certificate of Compliance \(PDF\)](#)

General

Product Family	Memory Module Sockets
Series	87609
Comments	Latches in Beige Color
Component Type	Memory Module
JEDEC Outline	MO-161
Product Name	DIMM
UPC	822348566273

Physical

Circuits (Loaded)	168
Color - Resin	Black, Natural
Durability (mating cycles max)	25
Entry Angle	90° Angle (Side Entry)
Function Key	Right
Keying to Mating Part	Yes
Material - Metal	Brass, High Performance Alloy (HPA)
Material - Plating Mating	Gold
Material - Plating Termination	Tin
Material - Resin	High Temperature Thermoplastic
Net Weight	17.372/g
PC Tail Length	3.18mm
PCB Locator	Yes
PCB Retention	Yes
PCB Thickness - Recommended	2.40mm
Packaging Type	Tray
Pitch - Mating Interface	1.27mm
Plating min - Mating	0.381µm
Plating min - Termination	2.540µm
Temperature Range - Operating	-10°C to +85°C
Termination Interface: Style	Through Hole

Electrical

Current - Maximum per Contact	1A
Voltage - Maximum	125V
Voltage Key	3.3V, Center

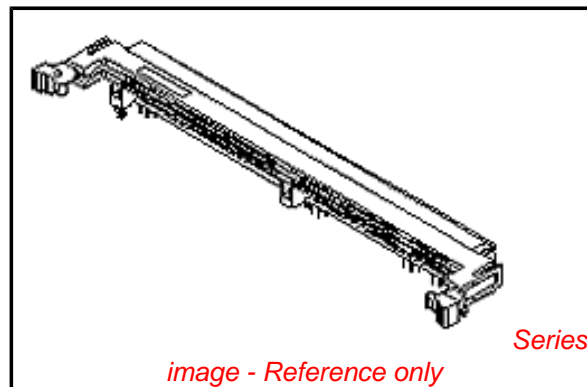
Solder Process Data

Duration at Max. Process Temperature (seconds)	30
Lead-free Process Capability	SMC & Wave Capable (TH only)
Max. Cycles at Max. Process Temperature	1
Process Temperature max. C	240

Material Info

Reference - Drawing Numbers

Product Specification	PS-87609-002
-----------------------	--------------



EU RoHS

ELV and RoHS Compliant
REACH SVHC
Contains SVHC: No
Low-Halogen Status
Not Low-Halogen

China RoHS



Need more information on product environmental compliance?

Email productcompliance@molex.com
 For a multiple part number RoHS Certificate of Compliance, [click here](#)

Please visit the [Contact Us](#) section for any non-product compliance questions.

Search Parts in this Series

[87609Series](#)

Mates With

[JEDEC MO-161 Modules](#)

This document was generated on 06/27/2014

PLEASE CHECK WWW.MOLEX.COM FOR LATEST PART INFORMATION