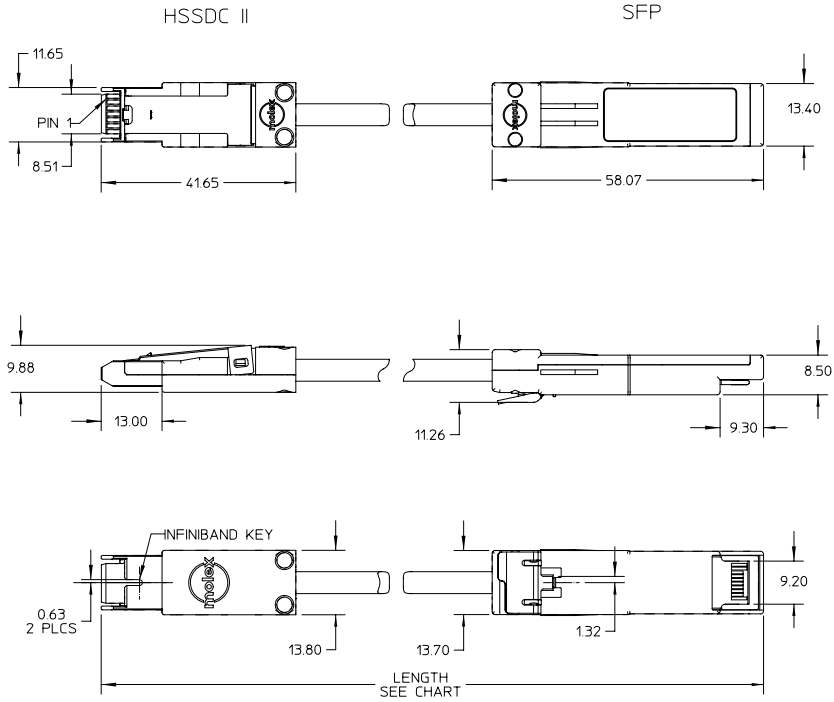


WIRING DIAGRAM			
SFP		HSSDC II	
PIN	SIGNAL	PIN	SIGNAL
19	Tx-	3	Rx-
18	Tx+	2	Rx+
13	Rx+	6	Tx+
12	Rx-	5	Tx-



SFP NOTES:

- MATERIALS  
 BACKSHELLS - NICKEL PLATED ZINC  
 LATCH - GLASS FILLED POLYCARBONATE  
 PCB - FR-4  
 RIVETS - TIN PLATED STEEL
- CHARACTERISTIC IMPEDANCE 100 OHMS DIFFERENTIAL

HSSDC II NOTES:

- MATERIALS  
 BACKSHELLS - NICKEL PLATED ZINC  
 LATCH - TIN PLATED PHOS BRONZE  
 PCB - FR-4  
 RIVETS - TIN PLATED STEEL
- CHARACTERISTIC IMPEDANCE 100 OHMS DIFFERENTIAL

CABLE NOTES:

- CHARACTERISTIC IMPEDANCE 100 ± 10 OHMS MEASURED DIFFERENTIAL
- SEE MOLEX DRAWINGS SD-71153-7\*\*\* FOR FURTHER CABLE DETAILS

PART NUMBER	LENGTH
73929-3001	1 M ± 0.05 M
73929-3002	3 M ± 0.07 M
73929-3003	5 M ± 0.08 M
73929-3005	2 M ± 0.06 M
73929-3006	4 M ± 0.07 M

EC NO: UDT200200003 DRAWN: DSLEWIS 2002/03/08 CHK: DDOYE 2002/02/12 APPR: DDOYE 2002/02/14	QUALITY SYMBOLS	GENERAL TOLERANCES (UNLESS SPECIFIED)	SCALE 1:1	DESIGN UNITS METRIC	THIRD ANGLE PROJECTION	REVISE ON CAD ONLY															
	DESCRIPTION ▽ = 0 ◻ = 0	<table border="1"> <thead> <tr> <th></th> <th>mm</th> <th>INCH</th> </tr> </thead> <tbody> <tr> <td>4 PLACES</td> <td>± ---</td> <td>± ---</td> </tr> <tr> <td>3 PLACES</td> <td>± ---</td> <td>± ---</td> </tr> <tr> <td>2 PLACES</td> <td>± 0.25</td> <td>± ---</td> </tr> <tr> <td>1 PLACE</td> <td>± 0.3</td> <td>± ---</td> </tr> </tbody> </table>		mm	INCH	4 PLACES	± ---	± ---	3 PLACES	± ---	± ---	2 PLACES	± 0.25	± ---	1 PLACE	± 0.3	± ---	DIMENSION STYLE MM ONLY	TITLE		
			mm	INCH																	
		4 PLACES	± ---	± ---																	
3 PLACES	± ---	± ---																			
2 PLACES	± 0.25	± ---																			
1 PLACE	± 0.3	± ---																			
DRAFT WHERE APPLICABLE	DRAWN BY DATE DSL 2001/12/05	CHECKED BY DATE DLD 2001/12/06	SFP TO HSSDC II PATCH CABLE ASSEMBLY INFIBAND 100 OHMS																		
MUST REMAIN WITHIN DIMENSIONS	APPROVED BY DATE DLD 2001/12/06	MATERIAL NO. 739293001	DOCUMENT NO. SD-73929-300	SHEET NO. 1 OF 1	MOLEX INCORPORATED																
THIS DRAWING CONTAINS INFORMATION THAT IS PROPRIETARY TO MOLEX INCORPORATED AND SHOULD NOT BE USED WITHOUT WRITTEN PERMISSION						B															