

120×120×25 mm

San Ace 120 9S type Silent Fan 



General Specifications

- Material Frame: Plastic (Flammability: UL 94V-0), Impeller: Plastic (Flammability: UL 94V-1)
- Expected life See the table below. (L10 life: 90% survival rate for continuous operation in free air at 60°C, rated voltage)
- Motor protection function Locked rotor burnout protection, Reverse polarity protection
For details, please refer to p. 529.
- Dielectric strength 50/60 Hz, 500 VAC, for 1 minute (between lead wire conductors and frame)
- Insulation resistance 10 MΩ or more with a 500 VDC megger (between lead wire conductors and frame)
- Sound pressure level (SPL) At 1 m away from the air inlet
- Storage temperature -30 to +70°C (Non-condensing)
- Lead wire ⊕Red ⊖Black (Sensor) Yellow
- Mass 140 g

Specifications

The models listed below **have ribs and pulse sensors**. For models without ribs, append "1" to the end of model numbers.

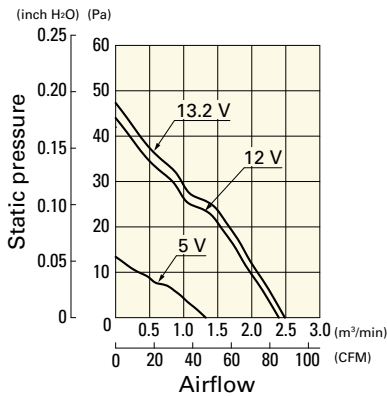
Model no.	Rated voltage [V]	Operating voltage range [V]	Rated current [A]	Rated input [W]	Rated speed [min ⁻¹]	Max. airflow [m ³ /min] [CFM]	Max. static pressure [Pa] [inchH ₂ O]	SPL [dB (A)]	Operating temperature [°C]	Expected life [h]
9S1212H401	12	5.0 to 13.2	0.39	4.68	2700	2.45 86.5	45.2 0.18	36	-10 to +60	40000/60°C
9S1212F401		5.0 to 13.8	0.19	2.28	2200	2.0 70.6	30.0 0.12	30		
9S1212M401		6.0 to 13.8	0.13	1.56	1850	1.66 58.6	22.7 0.09	24		
9S1212L401		7.0 to 13.8	0.08	0.96	1500	1.36 48.1	14.9 0.06	17		
9S1224M401		24	14 to 26.4	0.06	1.44	1850	1.66 58.6	22.7 0.09		

Other sensor specifications are available as options. Refer to the index (pp. 557 to 558).

Airflow - Static Pressure Characteristics

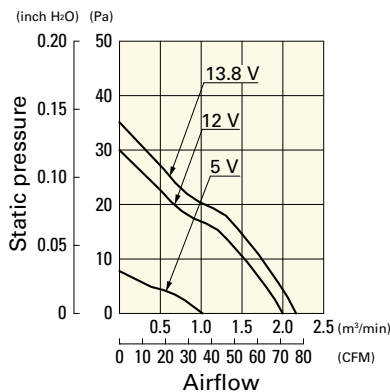
9S1212H401 With pulse sensor

Operating voltage range



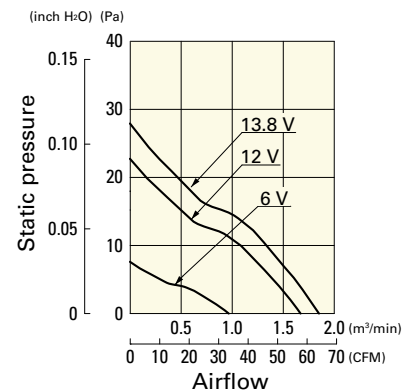
9S1212F401 With pulse sensor

Operating voltage range



9S1212M401 With pulse sensor

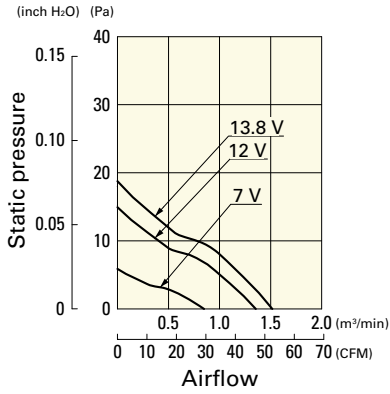
Operating voltage range



Airflow - Static Pressure Characteristics

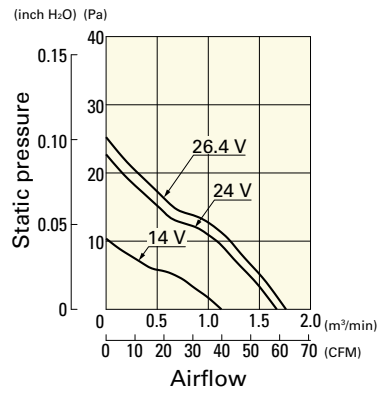
9S1212L401 With pulse sensor

Operating voltage range

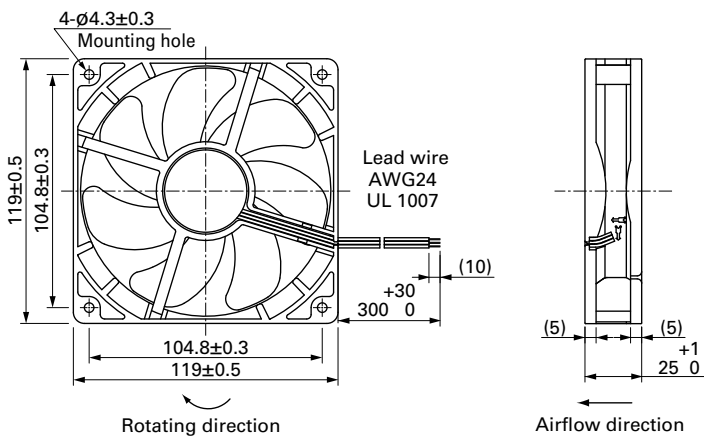


9S1224M401 With pulse sensor

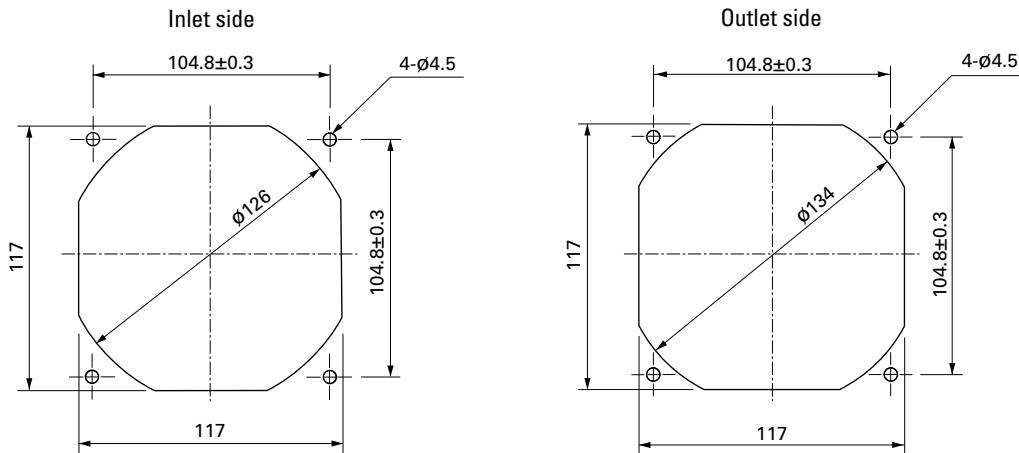
Operating voltage range



Dimensions (unit: mm) (With ribs)



Reference Dimensions of Mounting Holes and Vent Opening (unit: mm)



Options

Finger guards

page: p. 514

Model no.: 109-019C, 109-019H, 109-019E, 109-019K

Resin finger guards

page: p. 520

Model no.: 109-1000G

Resin filter kits

page: p. 521

Model no.: 109-1000F13 (13PPI), 109-1000F20 (20PPI),
109-1000F30 (30PPI), 109-1000F40 (40PPI)