



Main

| | |
|---|--|
| Range of product | Harmony K |
| Product or component type | Complete cam switch |
| Component name | K30 |
| [Ith] conventional free air thermal current | 32 A |
| Product mounting | Front mounting |
| Fixing mode | 4 holes |
| Cam switch head type | With front plate 64 x 64 mm |
| Type of operator | Black handle |
| Rotary handle padlocking | Without |
| Presentation of legend | With metallic legend, OFF-ON black marking |
| Cam switch function | Switch |
| Return | Without |
| Off position | With Off position |
| Poles description | 3P |
| Switching positions | Right: 0° - 90° |
| IP degree of protection | IP40 conforming to IEC 529 IP40 conforming to NF C 20-010 |

Complementary

| | |
|--|---|
| Switching angle | 90 ° |
| [Ui] rated insulation voltage | 690 V degree of pollution 3 conforming to EN 60947-1 690 V degree of pollution 3 conforming to IEC 60947-1 |
| Short-circuit current | 5000 A |
| Short-circuit protection | 50 A by cartridge fuse, type gG |
| [Uimp] rated impulse withstand voltage | 6 kV conforming to EN 947-1 6 kV conforming to IEC 947-1 |
| Contact operation | Slow-break |
| Positive opening | With |
| Electrical connection | Captive screw clamp terminals flexible, 2 x 4 mm ² Captive screw clamp terminals solid, 2 x 6 mm ² |
| Tightening torque | 1.2 N.m |
| Switching capacity in mA | 11000 mA DC at 120 V 2 contact(s) for inductive load (T = 50 ms) |

11000 mA DC at 180 V 3 contact(s) for inductive load (T = 50 ms)
 11000 mA DC at 60 V 1 contact(s) for inductive load (T = 50 ms)
 1200 mA DC at 220 V 1 contact(s) for resistive load (T = 1 ms)
 1200 mA DC at 440 V 2 contact(s) for resistive load (T = 1 ms)
 1200 mA DC at 660 V 3 contact(s) for resistive load (T = 1 ms)
 16000 mA DC at 140 V 3 contact(s) for inductive load (T = 50 ms)
 16000 mA DC at 48 V 1 contact(s) for inductive load (T = 50 ms)
 16000 mA DC at 95 V 2 contact(s) for inductive load (T = 50 ms)
 23000 mA DC at 120 V 2 contact(s) for resistive load (T = 1 ms)
 23000 mA DC at 180 V 3 contact(s) for resistive load (T = 1 ms)
 23000 mA DC at 60 V 1 contact(s) for resistive load (T = 1 ms)
 25000 mA DC at 30 V 1 contact(s) for inductive load (T = 50 ms)
 25000 mA DC at 60 V 2 contact(s) for inductive load (T = 50 ms)
 25000 mA DC at 90 V 3 contact(s) for inductive load (T = 50 ms)
 3200 mA DC at 110 V 1 contact(s) for inductive load (T = 50 ms)
 3200 mA DC at 220 V 2 contact(s) for inductive load (T = 50 ms)
 3200 mA DC at 330 V 3 contact(s) for inductive load (T = 50 ms)
 32000 mA DC at 140 V 3 contact(s) for resistive load (T = 1 ms)
 32000 mA DC at 24 V 1 contact(s) for inductive load (T = 50 ms)
 32000 mA DC at 24 V 1 contact(s) for resistive load (T = 1 ms)
 32000 mA DC at 48 V 1 contact(s) for resistive load (T = 1 ms)
 32000 mA DC at 48 V 2 contact(s) for inductive load (T = 50 ms)
 32000 mA DC at 48 V 2 contact(s) for resistive load (T = 1 ms)
 32000 mA DC at 70 V 3 contact(s) for inductive load (T = 50 ms)
 32000 mA DC at 70 V 3 contact(s) for resistive load (T = 1 ms)
 32000 mA DC at 95 V 2 contact(s) for resistive load (T = 1 ms)
 400 mA DC at 440 V 1 contact(s) for resistive load (T = 1 ms)
 400 mA DC at 660 V 2 contact(s) for resistive load (T = 1 ms)
 6500 mA DC at 110 V 1 contact(s) for resistive load (T = 1 ms)
 6500 mA DC at 220 V 2 contact(s) for resistive load (T = 1 ms)
 6500 mA DC at 330 V 3 contact(s) for resistive load (T = 1 ms)

| | |
|-----------------------|---------------|
| Mechanical durability | 300000 cycles |
| CAD overall width | 64 mm |
| CAD overall height | 64 mm |
| CAD overall depth | 93 mm |
| Product weight | 0.224 kg |

Environment

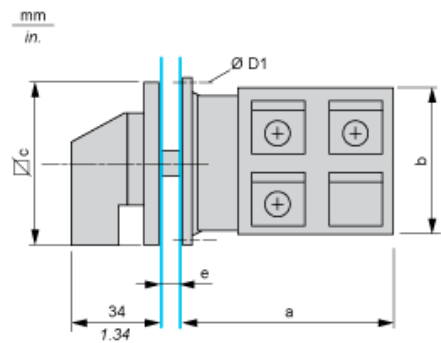
| | |
|---------------------------------------|---|
| Standards | EN/IEC 60947-3 |
| Product certifications | CULus 120 V 2 hp 1 phase CULus 240 V 5 hp 1 phase CULus 240 V 5 hp 3 phases CULus 480 V 20 hp 3 phases |
| Protective treatment | TC |
| Ambient air temperature for operation | -25...55 °C |
| Ambient air temperature for storage | -40...70 °C |
| Electrical shock protection class | Class II conforming to NF C 20-030 Class II conforming to IEC 60536 |

Contractual warranty

| | |
|-----------------|-----------|
| Warranty period | 18 months |
|-----------------|-----------|

Dimensions

Rear Mounting

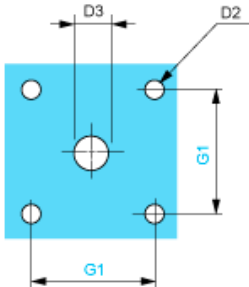


e support panel thickness 0.5 to 5.5 mm / 0.02 to 0.22 in in.

| a | | b | | c | | D1 | |
|------|------|----|------|----|------|-----|------|
| mm | in. | mm | in. | mm | in. | mm | in. |
| 53.7 | 2.11 | 58 | 2.28 | 64 | 2.52 | 4.1 | 0.16 |

Panel Cut-Out

Front Mounting

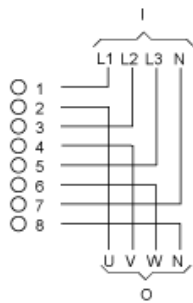


| D2 | | D3 | | G1 | |
|-----|------|----|------|----|------|
| mm | in. | mm | in. | mm | in. |
| 4.5 | 0.18 | 10 | 0.39 | 48 | 1.89 |

Link Positions (Factory Mounted)

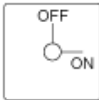
Diagram for 3 to 4-pole Switches

Select the number of poles according to the product characteristics



I Input
O Output

Marking



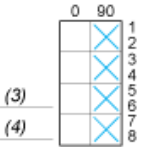
Angular Position of Switch



Switching Program

Diagram for 3 to 4-pole Switches

Select the number of poles according to the product characteristics



- (3) 3-pole
- (4) 4-pole

Convention Used for Switching Program Representation

Contact closed

Contact closed in 2 positions and maintained between the 2 positions

Sealed assembly for auto-maintain control

Overlapping contacts

Spring return position: for a switching angle of 90°, spring return is over 30° after the last position (for a maximum of 3 simultaneous contacts).

Example:

