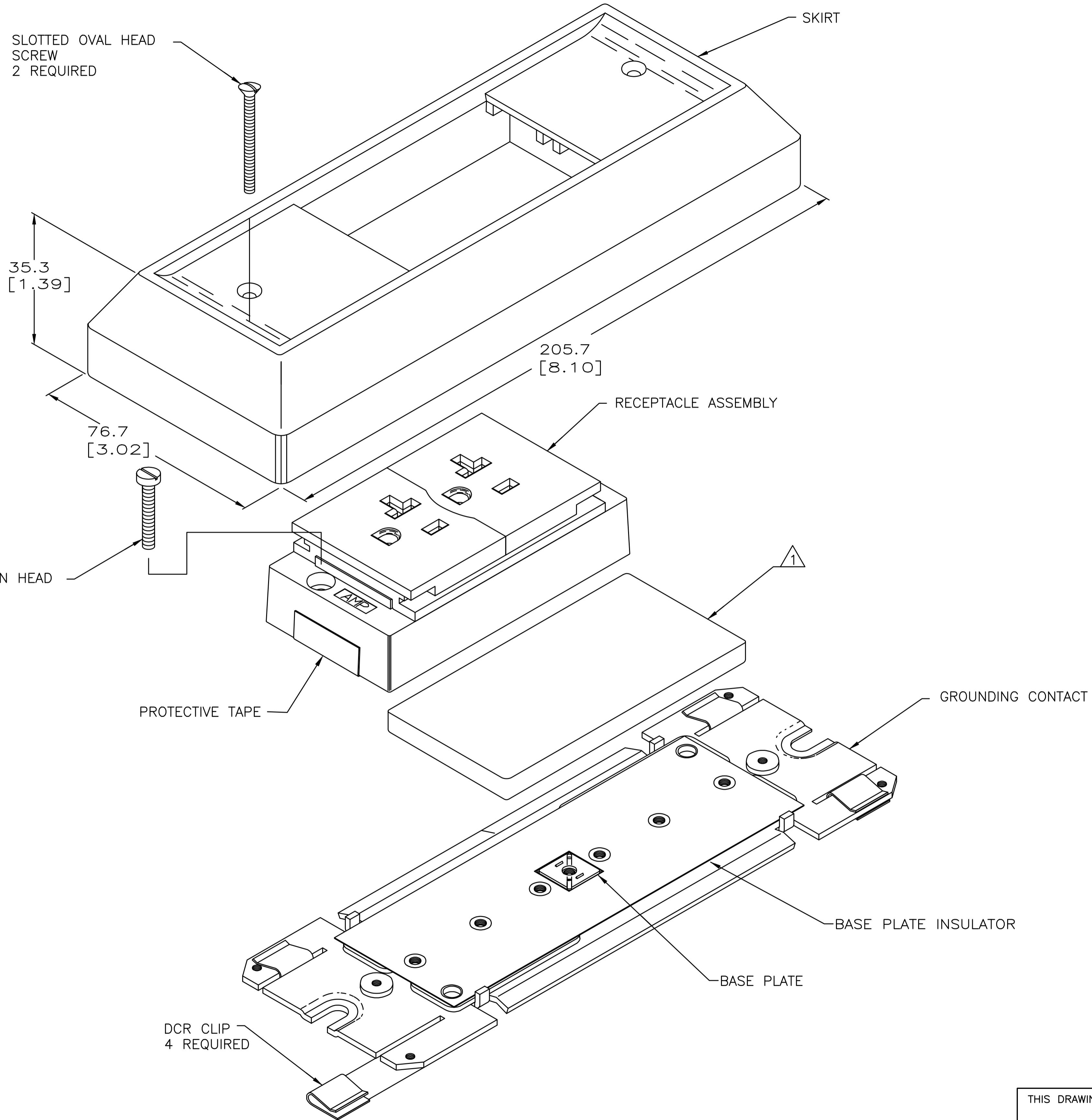


THIS DRAWING IS UNPUBLISHED. RELEASED FOR PUBLICATION
 © COPYRIGHT BY TYCO ELECTRONICS CORPORATION. ALL RIGHTS RESERVED.

LOC	DIST	REVISIONS			
P	LTR	DESCRIPTION	DATE	DWN	APVD
00	HM	REV; MCO-40026404MCO	19NOV2015	HG	RA



- ⚠ ONE ADAPTER HOUSING ASSEMBLY REQUIRED TO COMPLETE TERMINATION.
- ⚠ MATERIAL: SKIRT - ABS MOLDING COMPOUND. RECEPTACLE ASSEMBLY - SLIDING COVER, POLYCARBONATE MOLDING COMPOUND; BASE, PBT MOLDING COMPOUND. BASE PLATE - PREGALVANIZED STEEL. BASE PLATE INSULATOR - VULCANIZED FIBRE. HARDWARE - ZINC PLATED STEEL. DCR CLIP - STAINLESS STEEL. TERMINALS AND GROUNDING CONTACT - COPPER ALLOY.
- ⚠ ALL DIMENSIONS SHOWN ARE MAXIMUM UNLESS OTHERWISE SPECIFIED.
- 4. THIS KIT SHIPPED NOT ASSEMBLED.

BLACK	BLACK	554186-1
RECEPTACLE COVER COLOR	SKIRT COLOR	PART NO.

THIS DRAWING IS A CONTROLLED DOCUMENT.		DWN G. GARRETT 19MAR97	Tyco Electronics Corporation Harrisburg, PA 17105-3608	
DIMENSIONS: mm [INCHES]		CHK G. GARRETT 19MAR97	NAME DIRECT CONNECTING RECEPTACLE, 5 CONDUCTOR, DUPLEX, 15/20A	
TOLERANCES UNLESS OTHERWISE SPECIFIED:		APVD J. KILPATRICK 19MAR97	PRODUCT SPEC	
0 PLC ± -		APPLICATION SPEC		
1 PLC ± -		114-6008		
2 PLC ± -		SIZE	CAGE CODE	DRAWING NO
3 PLC ± -		A2	00779	C=554186
4 PLC ± -		RESTRICTED TO		
ANGLES ±		CUSTOMER DRAWING		
FINISH		SCALE	SHEET	REV
⚠		1:1	1 of 1	H1