

PLEASE CHECK WWW.MOLEX.COM FOR LATEST PART INFORMATION

Part Number: [0003121036](#)
Status: **Active**
Description: 3.18mm Diameter, HCS125, Pin and Socket Receptacle Housing, Single Row, without Panel Mount Ears, 3 Circuits, Natural, Nylon 94V-2

Documents:

[3D Model](#) [Product Specification PSX-42179-001 \(PDF\)](#)
[Drawing \(PDF\)](#) [RoHS Certificate of Compliance \(PDF\)](#)

Agency Certification

CSA LR19980
 UL E29179

General

Product Family Crimp Housings
 Series [42179](#)
 Application Power, Wire-to-Wire
 Product Name HCS-125
 UPC 800754232678

Physical

Circuits (maximum) 3
 Color - Resin Natural
 Flammability 94V-2
 Gender Receptacle
 Glow-Wire Capable No
 Lock to Mating Part Yes
 Material - Resin Nylon
 Net Weight 3.556/g
 Number of Rows 1
 Packaging Type Bag
 Panel Mount No
 Pitch - Mating Interface 8.38mm
 Polarized to Mating Part Yes
 Stackable No
 Temperature Range - Operating -40°C to +105°C

Electrical

Current - Maximum per Contact 20.0A

Solder Process Data

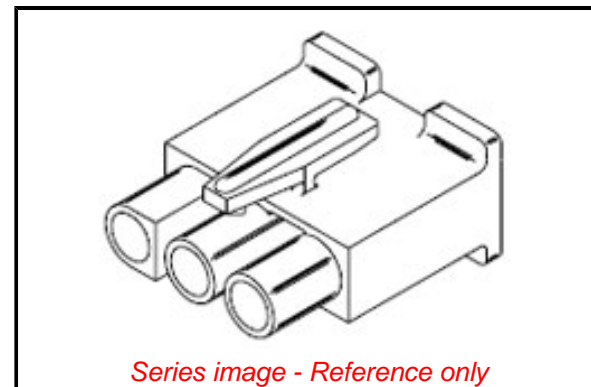
Lead-freeProcess Capability N/A

Material Info

Engineering Number 4217903R1

Reference - Drawing Numbers

Product Specification PSX-42179-001
 Sales Drawing 421790000-SD-000



EU ELV

Not Relevant

EU RoHS

Compliant

REACH SVHC

Not Contained Per
 -ED/01/2018 (15
 January 2018)

Halogen-Free

Status

Low-Halogen

Need more information on product environmental compliance?

Email productcompliance@molex.com
 Please visit the [Contact Us](#) section for any non-product compliance questions.

China ROHS	Green Image
ELV	Not Relevant
RoHS Phthalates	Not Contained

Search Parts in this Series

[42179 Series](#)

Use With

[1900 Male Crimp Terminals, 1901 , 2046 , 2047 , 42546 , 42547 , 42554 , 42555](#)