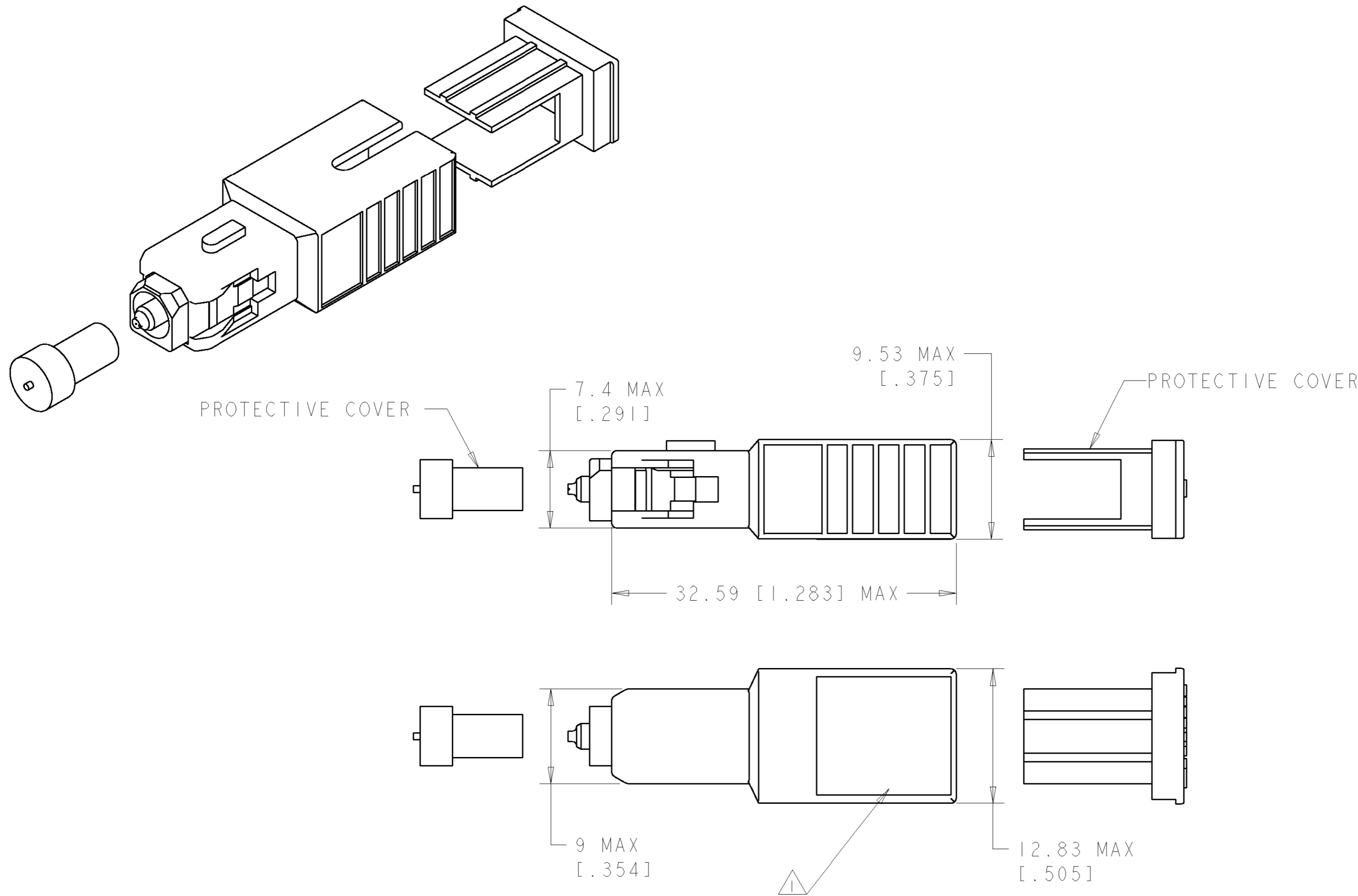


THIS DRAWING IS UNPUBLISHED. RELEASED FOR PUBLICATION 20
 © COPYRIGHT 20 BY TYCO ELECTRONICS CORPORATION. ALL RIGHTS RESERVED.

| LOC | DIST | REVISIONS | | | | | |
|-----|------|-----------|-----|--------------------------|----------|-----|------|
| CE | 16 | P | LTR | DESCRIPTION | DATE | DWN | APVD |
| | | C | | REV PER ECN 0A10-0101-01 | 09-21-01 | JAB | CB |
| | | D | | REL PER EC 0A00-0858-02 | 12-11-02 | LGE | CB |
| | | E | | REL PER EC 0A00-0304-03 | 8-7-03 | LGE | CB |



| NOMINAL ATTENUATION VALUE (dB) | PART NUMBER | |
|--------------------------------|-------------|----------|
| 1 | 209597-1 | |
| 2 | 209597-2 | |
| 3 | 209597-3 | |
| 4 | 209597-4 | |
| 5 | 209597-5 | |
| 6 | 209597-6 | |
| 7 | 209597-7 | OBSOLETE |
| 8 | 209597-8 | OBSOLETE |
| 9 | 209597-9 | |
| 10 | 1-209597-0 | |
| 11 | 1-209597-1 | OBSOLETE |
| 12 | 1-209597-2 | |
| 13 | 1-209597-3 | OBSOLETE |
| 14 | 1-209597-4 | OBSOLETE |
| 15 | 1-209597-5 | |
| 16 | 1-209597-6 | OBSOLETE |
| 17 | 1-209597-7 | OBSOLETE |
| 18 | 1-209597-8 | |
| 19 | 1-209597-9 | OBSOLETE |
| 20 | 2-209597-0 | |
| 25 | 2-209597-5 | |

⚠ TYCO LOGO, ATTENUATION VALUE, PART NUMBER, AND SERIAL NUMBER ARE PRINTED ON THE LABEL.

PERFORMANCE REQUIREMENTS:
 OPERATING WAVELENGTH : 1310/1550 ±25nm
 REFLECTANCE : ≤ -65dB
 OPERATING TEMPERATURE : -40°C TO +75°C
 ATTENUATION TOLERANCE, AMBIENT :
 FOR ATTENUATORS ≥ 5dB : ±10% OF NOMINAL ATTENUATION VALUE
 FOR ATTENUATORS < 5dB : ± 0.50dB
 MEASURED WITH REFERENCE QUALITY LAUNCH LEADS

| | | | |
|---|--|-------------------------------|---|
| THIS DRAWING IS A CONTROLLED DOCUMENT FOR TYCO ELECTRONICS CORPORATION. IT IS SUBJECT TO CHANGE AND THE CONTROLLING ENGINEERING ORGANIZATION SHOULD BE CONTACTED FOR THE LATEST REVISION. | | DWN D. ERDMAN 7-20-00 | AMP Tyco Electronics Harrisburg, PA 17105-3608 |
| DIMENSIONS: mm [INCHES] | | CHK S. MILLER 7-20-00 | |
| TOLERANCES UNLESS OTHERWISE SPECIFIED: 0 PLC ± 1 PLC ± 2 PLC ± 3 PLC ± 4 PLC ± ANGLES ± FINISH - | | APVD S. BUCHTER 7-20-00 | NAME ATTENUATOR, OPTICAL, BUILDOUT SC/APC 8 DEGREE, SM, DUAL WINDOW |
| MATERIAL - | | PRODUCT SPEC - | SIZE A2 |
| | | APPLICATION SPEC - | CAGE CODE 00779 |
| | | WEIGHT - | DRAWING NO 209597 |
| CUSTOMER DRAWING | | RESTRICTED TO - | SCALE 4:1 |
| | | | SHEET 1 |
| | | | OF 1 |
| | | | REV E |