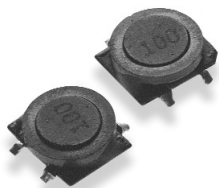


**Type 3636A Series**

**Type 3636 Series**



The 3636 series is a unique shielded Inductor suitable for many Industrial applications. With values ranging from 1.2uH to 5600uH and current up to 2.8A, the small package size and height makes this suitable for applications where space is limited.

**Key Features**

- Isat to 2.8A
- Ferrite Core
- Taped and Reeled
- -25C to +85C operating temperature
- Only 2.45 mm high

**Electrical Characteristics -**

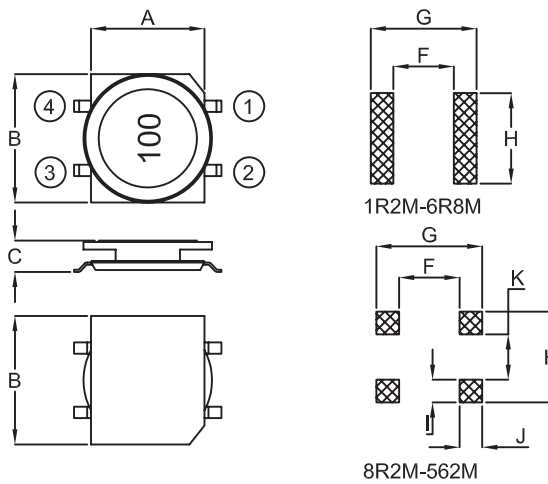
Inductance Code	Inductance (µH)	Q Ref.	Test Freq. (Hz)		S.R.F. (MHz) Nom.	R.D.C. (Ω) Max.	I <sub>rms</sub> (mA) Max. T=40°C	I <sub>sat</sub> (mA) Typ. ΔL/L=10%
			L	Q				
1R2	1.2	20	1K	7.960	140.0	0.030	2600	2800
1R5	1.5	17	1K	7.960	115.0	0.032	2400	2500
2R2	2.2	16	1K	7.960	95.0	0.035	2200	2300
2R7	2.7	16	1K	7.960	85.0	0.040	2100	2200
3R3	3.3	20	1K	7.960	65.0	0.065	1800	2000
3R9	3.9	16	1K	7.960	60.0	0.068	1500	1700
4R7	4.7	17	1K	7.960	55.0	0.072	1300	1600
5R6	5.6	18	1K	7.960	50.0	0.080	1200	1450
6R8	6.8	15	1K	7.960	48.0	0.090	1000	1200
8R2	8.2	20	1K	7.960	42.0	0.110	820	860
100	10.0	25	1K	2.520	36.0	0.145	730	770
120	12.0	20	1K	2.520	32.0	0.180	650	690
150	15.0	22	1K	2.520	30.0	0.220	600	650
180	18.0	20	1K	2.520	28.0	0.260	560	620
220	22.0	20	1K	2.520	22.0	0.380	480	540
270	27.0	32	1K	2.520	20.0	0.420	430	480
330	33.0	30	1K	2.520	18.0	0.500	400	440
390	39.0	32	1K	2.520	16.5	0.620	380	420
470	47.0	25	1K	2.520	15.0	0.650	350	390
560	56.0	22	1K	2.520	13.5	0.720	330	360
680	68.0	25	1K	2.520	13.0	0.950	280	320
820	82.0	25	1K	2.520	12.0	1.100	260	300
101	100.0	65	1K	0.796	11.5	1.250	230	260
121	120.0	50	1K	0.796	10.2	1.400	210	240
151	150.0	45	1K	0.796	9.2	1.650	185	210
181	180.0	55	1K	0.796	8.8	2.000	170	200
221	220.0	45	1K	0.796	8.2	2.500	165	190
271	270.0	65	1K	0.796	7.5	3.600	145	165
331	330.0	62	1K	0.796	6.8	4.000	132	152
391	390.0	35	1K	0.796	5.6	4.500	125	145
471	470.0	50	1K	0.796	4.8	6.600	106	126
561	560.0	85	1K	0.796	4.2	7.200	100	115
681	680.0	90	1K	0.796	4.0	8.000	90	100
821	820.0	80	1K	0.252	3.8	9.500	85	95
102	1000.0	110	1K	0.252	3.6	14.00	78	86
122	1200.0	105	1K	0.252	3.2	17.00	72	82
152	1500.0	105	1K	0.252	3.0	20.50	65	75
182	1800.0	92	1K	0.252	2.8	26.00	58	68
222	2200.0	95	1K	0.252	2.6	32.00	55	64
272	2700.0	105	1K	0.252	2.0	36.50	48	58
332	3300.0	90	1K	0.252	1.8	40.50	42	52
392	3900.0	115	1K	0.252	1.6	48.00	38	45
472	4700.0	100	1K	0.252	1.2	62.00	28	32
562	5600.0	110	1K	0.252	1.0	68.00	20	25

**Environmental Characteristics -**

<b>Storage Temp:</b>	-40°C to +125°C
<b>Operating Temp:</b>	-25°C to +85°C
<b>Standard Tolerance:</b>	±20%

**Type 3636A Series**

**Dimensions**



Series	A	B	C	E	F	G	H	I	J	K
3636A	7.80±0.50	7.50±0.30	2.45±0.30	3.50±0.20	5.80 ref.	8.60 ref.	4.80 ref.	1.40 ref.	1.40 ref.	2.00 ref.

**How to Order**

3636	A	1R2	M
Common Part	Style	Inductance	Tolerance
3636	A	See Relevant Table for Inductance Code	M - 20%