

E

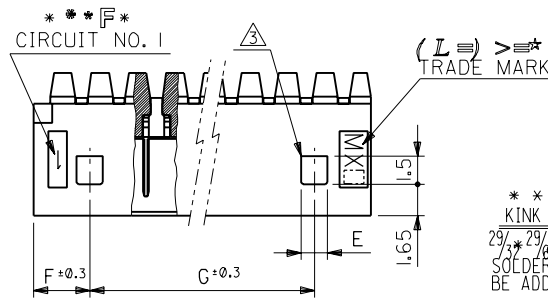
D

C

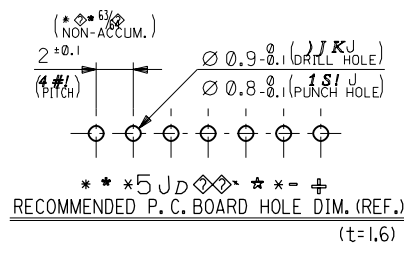
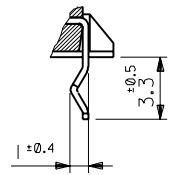
B

A

MM DIMENSIONS IN METRIC DO NOT SCALE DRAWING

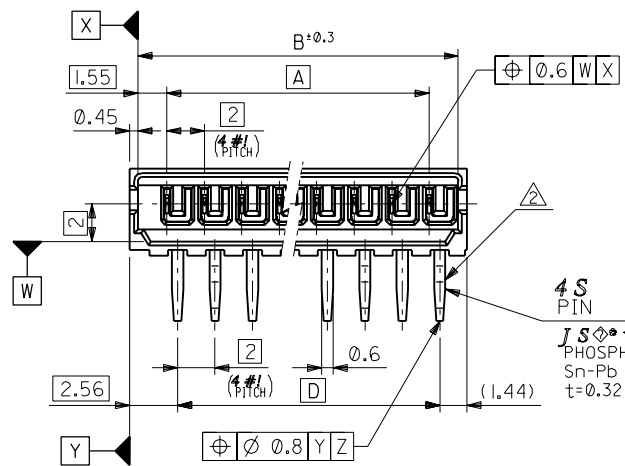


***29/64 S*1*
KINK FORM FOR 2 CKTS.
29/64 S*23/64 S* < 19/32
SOLDER TAIL KINK SHOULD BE ADDED ON BOTH TAILS.

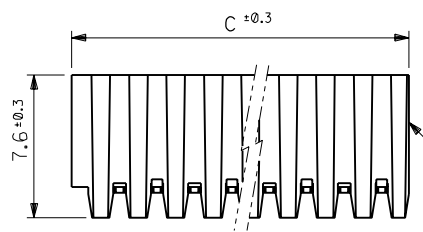
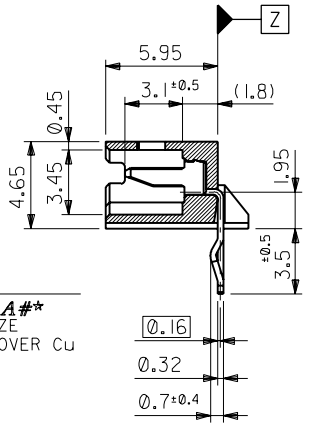


M* NOTES

1. *GJ** : 51004*J**
MATES WITH : 51004 SERIES
2. ***29/64 S*3/64 S*5/16 U*23/64 U*19/32 U*
KINK TO BE ADDED ON THE ODD NUMBER SOLDER TAILS.(FROM THE TRADE MARK SIDE)
3. M#*J*3/64 S*11/64 S*3/64 U****23/64 U*17/32 S*
LOCKING HOLE: ONE PLACE FOR 2 AND 3 CKTS.
TWO PLACES FOR 4 AND MORE THAN 4 CKTS.



4 S PIN
J S ***25/64 S*SA#**
PHOSPHOR BRONZE
Sn-Pb PLATED OVER Cu
t=0.32



***/ = WAFER
*****MS*****I**5: O*(+
GLASS FILLED NYLON66 (COLOR:OFF-WHITE)
UL94V-0

26	3	1.4	28	32	31.1	28	53015-1590	15
24	↑	↑	26	30	29.1	26	↑ -1490	14
22			24	28	27.1	24	↑ -1390	13
20			22	26	25.1	22	↑ -1290	12
18			20	24	23.1	20	↑ -1190	11
16			18	22	21.1	18	↑ -1090	10
14			16	20	19.1	16	↑ -0990	9
12			14	18	17.1	14	↑ -0890	8
10			12	16	15.1	12	↑ -0790	7
8			10	14	13.1	10	↑ -0690	6
6	↓	↓	8	12	11.1	8	↑ -0590	5
4	3	1.4	6	10	9.1	6	↑ -0490	4
—+—	4	3.4	4	8	7.1	4	↑ -0390	3
—+—	3	1.4	2	6	5.1	2	53015-0290	2
G	F	E	D	C	B	A	ENG. NO.	NO. OF CKTS.

材料 MATERIAL	SEE DWG.	molex MOLEX-JAPAN CO.,LTD. 日本モレックス株式会社
仕上げ FINISH	#	
適用電線範囲 WIRE RANGE	#	REVISE ONLY ON CAD SYSTEM
被覆外径 INS. RANGE	#	TITLE 名称
DRAWN BY '00/2/23 T.YASUI	CHK'D BY '00/2/23 T.YAMAGUCHI	2.0 LOW PROFILE WAFER ASS'Y R/A
APP'D BY '00/2/23 M.FUKUSHIMA	DR. DATE	DWG. NO.
角度 ANGLE	+3°	REV
30以上 OVER	+0.3	0
10以上 30未満 UNDER	+0.25	
10未満 UNDER	+0.2	
一般公差 GENERAL TOLERANCES	記号 LTR	変更内容 REVISION RECORD
	DR. DATE	DR. DATE