

Ground Fault Products
 Portable GFCI Line Cords
 Multiple Outlet Portable GFCI and GFCI
 Module

HUBBELL

Features

- High impact UV stabilized housing for long life
- All-glass circuit board provides moisture immunity
- Watertight GFCI housing for use in harsh environments

Ordering Information

Description	Rating	UPC	Catalog Number
GFCI module - UL type 3R rated, manual set, yellow	20A, 120V AC, 60 Hz	783585521008	GFM20

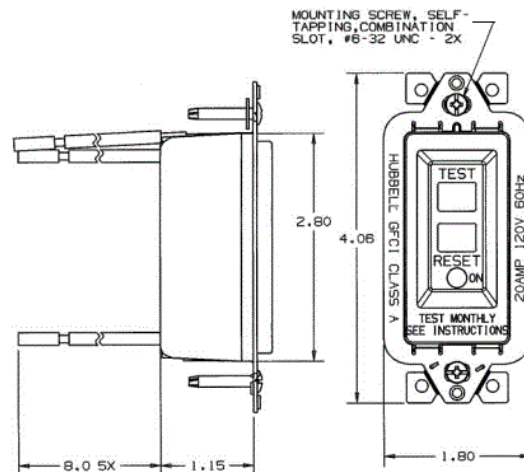


Listings

UL Listed
 CSA Certified
 IP21 Suitability

Specifications

Housing	PBT
Cover	PBT
Flap	PBT
Screws	Zinc plated steel



Online Resources

Customer Use Drawing
 eCatalog
 Installation Instructions

Dimensions in Inches (mm)

Hubbell Wiring Device-Kellems • Hubbell Incorporated (Delaware) • 40 Waterview Drive • Shelton, CT 06484

Phone (800) 288-6000 • Fax (800) 255-1031 • Specifications subject to change without notice.

