

**Type 3623 Series**



The 3623 series combines Tyco Sigma quality with low price and high long-term reliability. The Inductor which has a high current rating is ideal for use in a variety of high performance DC-DC converter inductor applications. In addition an extremely low DCR rating minimizes power loss making this an excellent product where long life and high reliability are key design criteria.

**Key Features**

- Available in 2 height profiles
- Isat to 30A
- Irms to 16A
- Taped and Reeled
- Low RDC
- High Reliability

**Type 3623 Series**

**Electrical Characteristics - 3623A Series**

Inductance Code	Inductance (μH)	Tolerance	Q Ref.	S.R.F. (MHz Nom.)	R.D.C. (mΩ) Max.	Irms (A) Max. T = 40°C	Ipk (A) Typ. ΔL/L = 10%
121	120.0	±10%	20	5.00	230	1.60	3.00
151	150.0	±10%	19	4.87	250	1.50	2.60
181	180.0	±10%	17	4.65	300	1.30	2.50
221	220.0	±10%	19	3.97	380	1.20	2.40
271	270.0	±10%	22	3.37	470	1.10	2.20
331	330.0	±10%	20	3.15	560	1.00	1.90
391	390.0	±10%	21	3.00	680	0.90	1.70
471	470.0	±10%	25	2.55	850	0.82	1.40
561	560.0	±10%	23	2.40	1000	0.78	1.30
681	680.0	±10%	25	2.50	1100	0.72	1.20
821	820.0	±10%	25	1.97	1400	0.64	1.10
102	1000.0	±10%	25	1.60	1800	0.56	1.00

**Electrical Characteristics - 3623B Series**

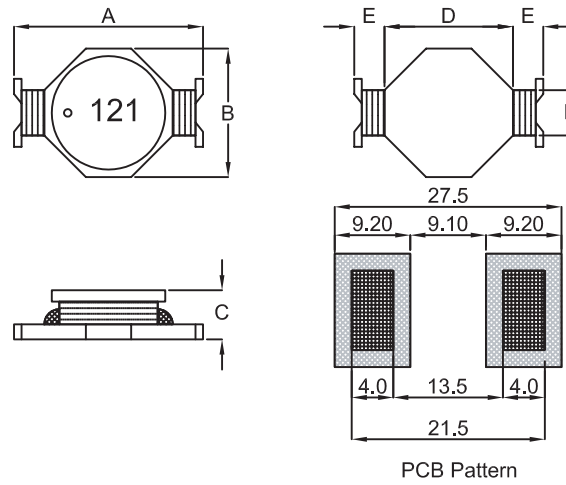
Inductance Code	Inductance (μH) 0.0V/100KHz	Tolerance	R.D.C. (mΩ) ±20%	Irms (A) Max. T = 40°C	Ipk (A) Typ. ΔL/L = 10%
R80	0.80	±20%	2.30	16.00	35.00
1R2	1.20	±20%	3.50	15.00	30.00
1R8	1.80	±20%	4.50	13.00	25.00
2R7	2.70	±20%	7.00	10.00	20.00
3R3	3.30	±20%	7.80	9.00	17.00
4R7	4.70	±20%	8.80	8.50	15.00
5R6	5.60	±20%	12.40	7.80	14.00
6R8	6.80	±20%	14.20	7.50	12.00
8R2	8.20	±20%	15.50	7.00	11.00
100	10.0	±20%	17.20	6.50	10.00
120	12.0	±15%	23.60	5.50	9.50
150	15.0	±15%	28.00	5.00	9.00
180	18.0	±15%	33.00	4.60	8.00
220	22.0	±15%	39.40	4.00	6.50
270	27.0	±15%	43.50	3.80	6.00
330	33.0	±15%	58.40	3.40	5.50
390	39.0	±10%	65.00	3.20	5.20
470	47.0	±10%	91.20	2.80	5.00
560	56.0	±10%	96.50	2.60	4.50
680	68.0	±10%	112.00	2.40	4.00
820	82.0	±10%	144.00	2.20	3.50
101	100.0	±10%	168.00	2.00	3.00

**Environmental Characteristics -**

<b>Storage Temp:</b>	-40°C to +105°C
<b>Operating Temp:</b>	-40°C to +85°C
<b>Irms:</b>	Temp. Rise 40°C Max.
<b>Ipk:</b>	ΔL/L = 10% Typ.

**Type 3623 Series**

**Dimensions**



Series	A	B	C	D (Typ.)	E (Typ.)	F (Typ.)
3623A	22.0±0.3	15.0±0.3	6.8±0.5	15.0	2.3	8.0
3623B	22.0±0.3	15.0±0.3	7.0±0.4	15.0	2.3	8.0

**How to Order**

3623	A	180	M
Common Part	Style	Inductance	Tolerance
3623	A or B	See Relevant Table for Inductance Code	K - ±10% L - ±15% M - 20%