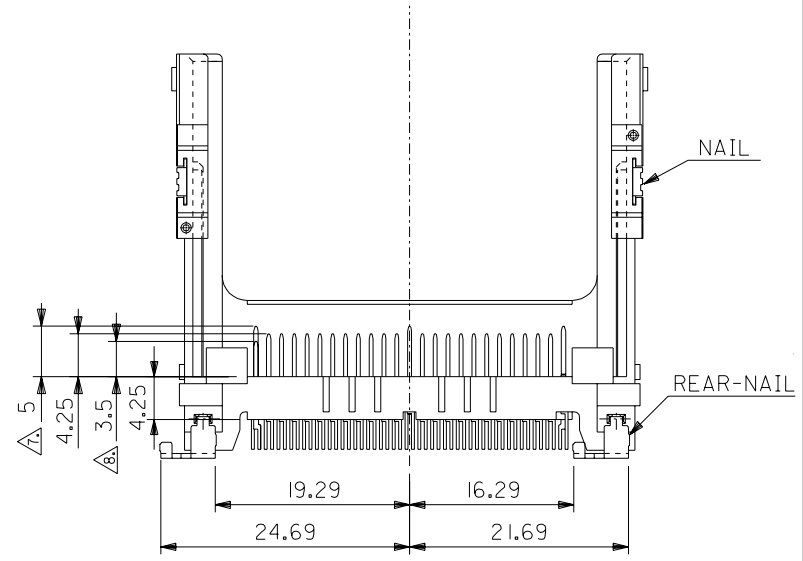
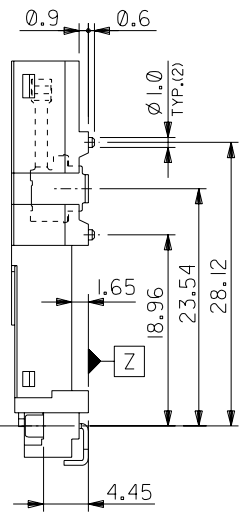
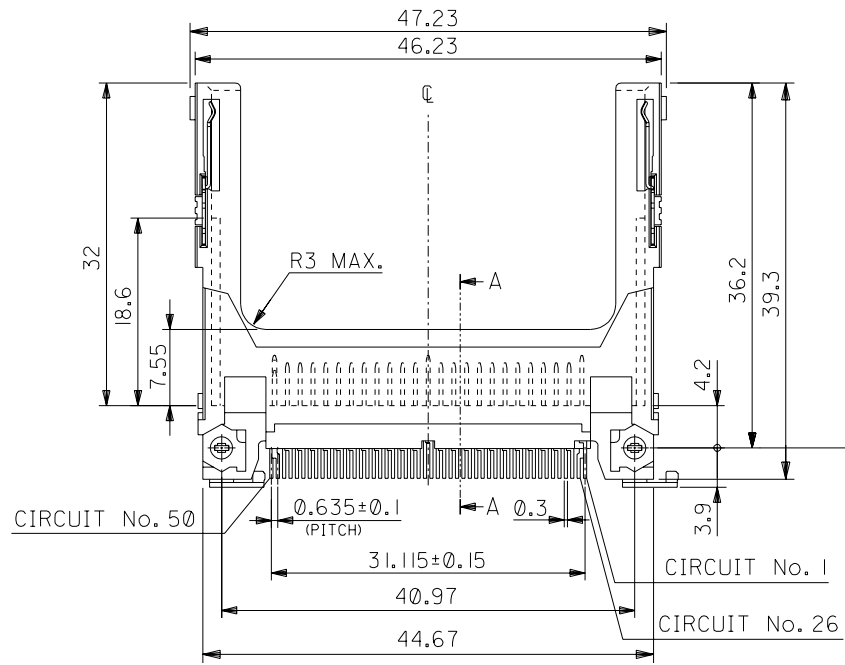
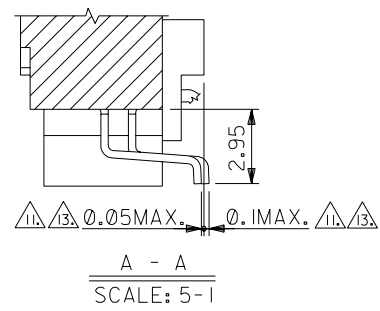
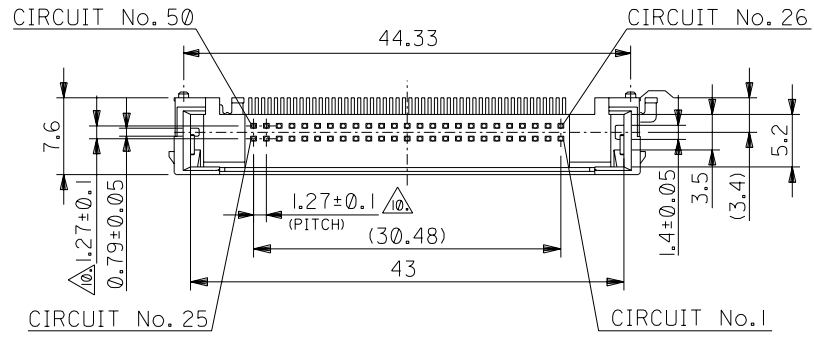


DWG. NO. SD-55358-015



55358-5038	55358-5039	55358-50**
HARD TRAY PACKAGE	MATERIAL No.	MODEL No.

DO NOT SCALE DRAWING

EC NO. DRWN: CHK: APPR:	EC NO. DRWN: CHK: APPR:	EC NO. DRWN: CHK: APPR:	EC NO. DRWN: CHK: APPR:	EC NO. DRWN: CHK: APPR:
RELEASED	RELEASED	RELEASED	RELEASED	RELEASED
EC NO. J2004-3952	DRWN: M.NABEI '04/04/22	CHK: K.TOJO '04/04/22	APPR: MSASAO '04/04/22	APPR: MSASAO '04/04/22

MATERIAL 材料	SEE NOTES
FINISH 仕上り	SEE NOTES
WIRE RANGE 適用線径範囲	#
INS. RANGE 被覆外径	#

GENERAL TOLERANCES: (UNLESS SPECIFIED) 一般公差	10 UNDER 未滿	±0.2
	10 OVER 30 UNDER 以上 未滿	±0.25
	30 OVER 以上	±0.3
ANGLE 角度		±3°

SCALE 2 - 1	DESIGN UNITS <input checked="" type="checkbox"/> mm <input type="checkbox"/> INCH	THIRD ANGLE PROJECTION	DIMENSIONS: <input type="checkbox"/> mm <input type="checkbox"/> INCH <input type="checkbox"/> mm <input checked="" type="checkbox"/> INCH	SHT REVISE ON CAD ONLY
DRAWN BY & DATE M.NABEI '04/04/22	CHECKED BY & DATE K.TOJO '04/04/22	APPROVED BY & DATE M. Sasao '04/04/22	TITLE: CF CARD CONN. 50P HEADER ASS'Y (TYPE I/II, NORMAL) -LEAD FREE-	
CAD FILENAME SD-55358-015.S01	MATERIAL NO. SEE CHART	DRAWING NO. SD-55358-015	SHEET NO. 1 OF 2	
THIS DRAWING CONTAINS INFORMATION THAT IS PROPRIETARY TO MOLEX INCORPORATED AND SHOULD NOT BE USED WITHOUT WRITTEN PERMISSION.				SIZE B

DWG. NO. SD-55358-015

F

D

V

C

B

DO NOT SCALE DRAWING

8 7 6 5 4 3 2 1

注) 1. 材質 MATERIAL
 ハウジング: ガラス入りLCP UL94V-0
 HOUSING: LIQUID CRYSTAL POLYMER G.F. UL94V-0
 ピン: リン青銅
 PIN: PHOSPHOR BRONZE
 ネール: リン青銅 (t0.3)
 NAIL: PHOSPHOR BRONZE (t0.3)
 リヤネール: リン青銅 (t0.48)
 REAR-NAIL: PHOSPHOR BRONZE (t0.48)

2. メッキ仕様 PLATING
 ピン 接点部: 金メッキ
 CONTACT AREA: GOLD
 半田付け部: 錫メッキ
 SOLDER TAIL AREA: TIN
 下地メッキ: ニッケルメッキ
 UNDERPLATING: NICKEL OVER ALL
 ネール 接点部: 金メッキ
 CONTACT AREA: GOLD
 半田付け部: 錫メッキ
 SOLDER TAIL AREA: TIN
 下地メッキ: ニッケルメッキ
 UNDERPLATING: NICKEL OVER ALL
 リヤネール 錫メッキ
 REAR-NAIL TIN
 下地メッキ: ニッケルメッキ
 UNDERPLATING: NICKEL OVER ALL

3. 推奨基板厚: t=0.8 MIN.
 RECOMMENDED P.C.B. THICKNESS: t=0.8 MIN.

4. 適合カード厚: 3.3±0.1 (TYPE I) AND 5 MAX. (TYPE II)
 RECOMMENDED CARD THICKNESS: 3.3±0.1 (TYPE I) AND 5 MAX. (TYPE II)

5. 適合カード幅: 42.8±0.1
 RECOMMENDED CARD WIDTH: 42.8±0.1

6. ハウジング色: 黒
 HOUSING COLOR: BLACK

7. 寸法適用極: 1,13,38,50
 THIS DIMENSION APPLIES TO CIRCUIT NUMBERS 1,13,38 AND 50.

8. 寸法適用極: 25,26
 THIS DIMENSION APPLIES TO CIRCUIT NUMBERS 25 AND 26.

9. ピンの倒れは、ピン根元を基準に全方向へ0.1 MAX.とする。
 PIN TIP LEAN TOWARD ANY DIRECTION NOT TO EXCEED 0.1 WHEN MEASURED FROM PIN BASE.

10. ピン根元に適用する。
 THIS DIMENSION TO BE MEASURED AT PIN BASE.

11. ソルダーテールは、Z面を基準とし上へ0.05下へ0.1の範囲にあり、且つソルダーテールの平坦度は、0.1 MAX.とし、テール先端にて測定する。
 SOLDER TAILS TO BE WITHIN 0.05 UPWARD AND 0.1 DOWNWARD FROM Z-DATUM PLACE, AND COPLANARITY OF SOLDER TAILS TO BE WITHIN 0.1. MEASUREMENT POINT IS SOLDER TAILS TIP.

12. 公差非累積
 NON-CUMULATIVE

13. テールとネール、リヤネールを併せた平坦度は、0.1 MAX.とする。
 TOTAL COPLANARITY OF SOLDER TAILS, NAILS AND REAR-NAILS TO BE 0.1 MAX.

14. 本製品は 55358-5031 の鉛フリー品である。
 THIS PRODUCT IS LEAD FREE OF 55358-5031.

F

E

D

C

B

A

EC NO. DRAWN: CHK: APPR:		EC NO. DRAWN: CHK: APPR:		EC NO. DRAWN: CHK: APPR:		EC NO. DRAWN: CHK: APPR:		EC NO. DRAWN: CHK: APPR:		EC NO. DRAWN: CHK: APPR:		EC NO. DRAWN: CHK: APPR:		EC NO. DRAWN: CHK: APPR:		EC NO. DRAWN: CHK: APPR:		EC NO. DRAWN: CHK: APPR:		EC NO. DRAWN: CHK: APPR:																			
MATERIAL 材料										SEE NOTES																													
FINISH 仕上げ										SEE NOTES																													
WIRE RANGE 適用電線範囲										—																													
INS. RANGE 被覆外径										—																													
GENERAL TOLERANCES: (UNLESS SPECIFIED) 一般公差										10 UNDER 未滿 ±0.2 10 OVER 以上 30 UNDER 未滿 ±0.25 30 OVER 以上 ±0.3 ANGLE 角度 ±3°																													
SCALE 2 - 1						DESIGN UNITS <input checked="" type="checkbox"/> mm <input type="checkbox"/> INCH						MODEL NO. 55358-50**						DIMENSIONS: <input type="checkbox"/> mm <input type="checkbox"/> INCH <input checked="" type="checkbox"/> mm ONLY						SHT 1		REV													
DRAWN BY & DATE M.NABEI '04/04/22												THIRD ANGLE PROJECTION												TITLE: CF CARD CONN. 50P HEADER ASS'Y (TYPE I/II, NORMAL) -LEAD FREE-												REVISION ON CAD ONLY			
CHECKED BY & DATE K.TOJO '04/04/22												APPROVED BY & DATE M. Sato '04/04/22												MATERIAL NO. —												DRAWING NO. SD-55358-015		SHEET NO. 2	
CAD FILENAME SD-55358-015.S02												MATERIAL NO. —												DRAWING NO. SD-55358-015												SHEET NO. 2			
THIS DRAWING CONTAINS INFORMATION THAT IS PROPRIETARY TO MOLEX INCORPORATED AND SHOULD NOT BE USED WITHOUT WRITTEN PERMISSION.																						SIZE B																	