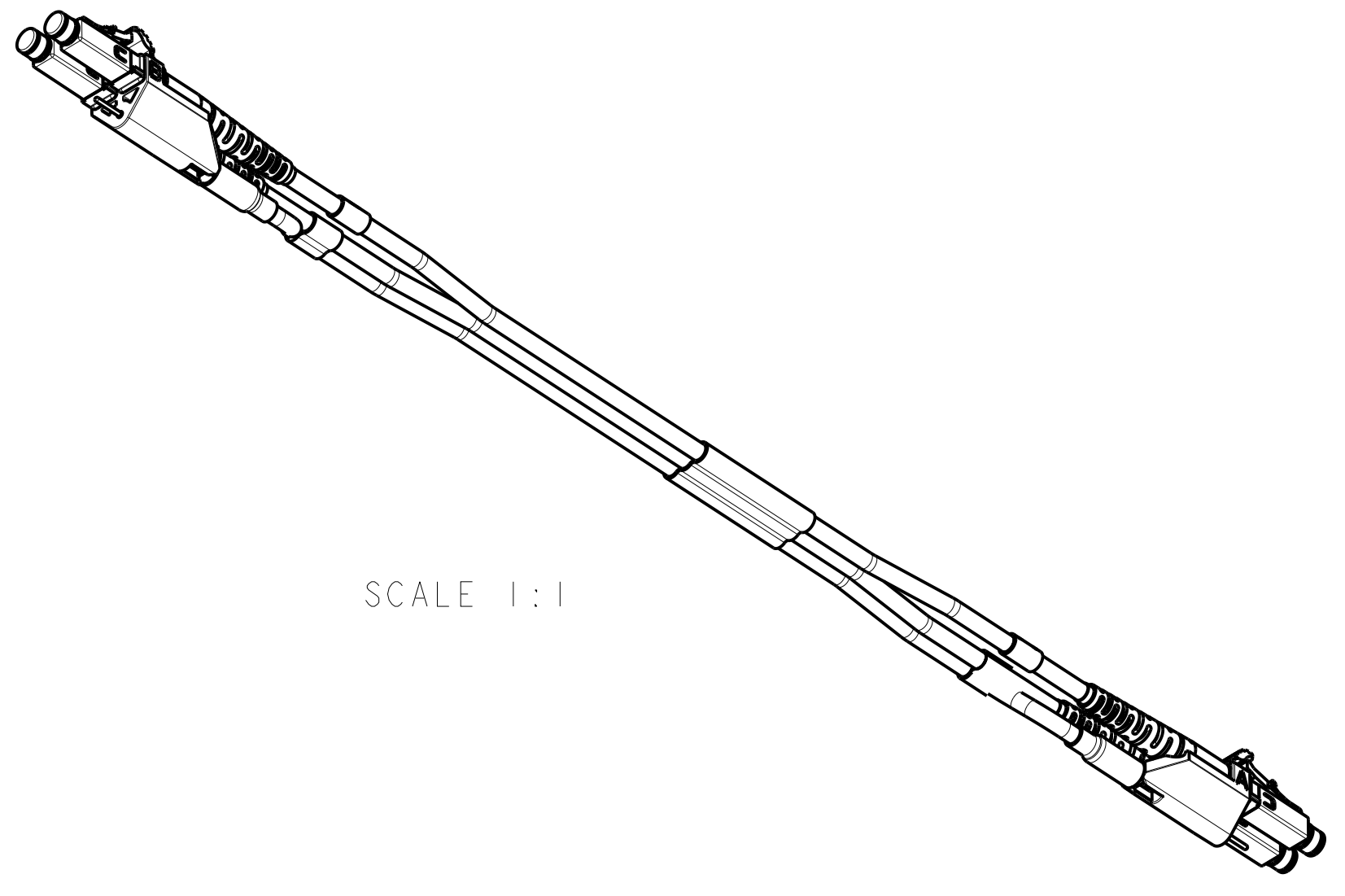
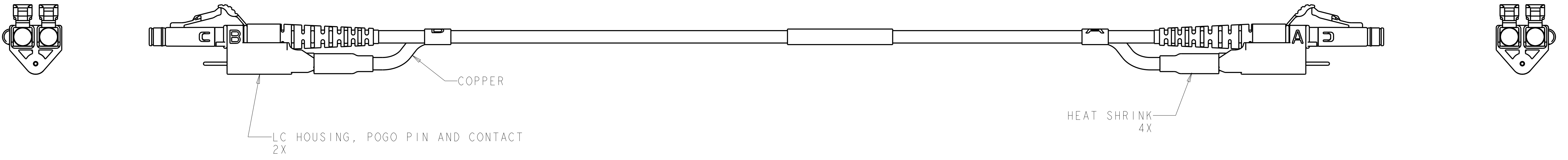
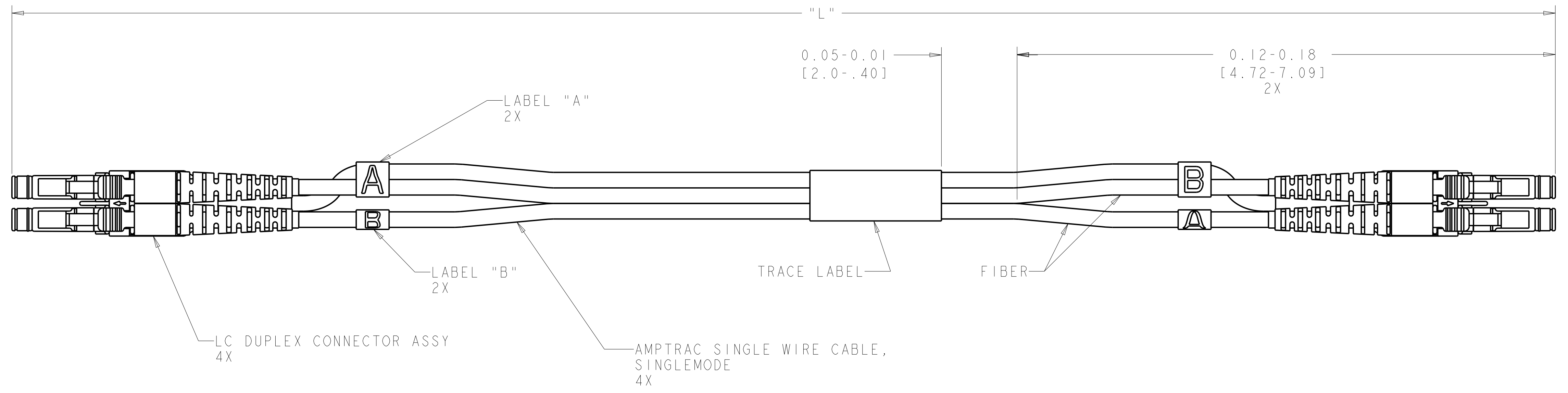


CONNECTOR LOSS (dB)	"L" METERS [INCHES]	PART NUMBER
.52	10.0±.15 [393.7±6]	1-1435791-0
.52	7.0±0.08 [275.6±3]	1435791-7
.51	5.0±.08 [196.9±3]	1435791-5
.50	3.0±.05 [118.1±2.0]	1435791-3
.50	2.0±.05 [78.7±2.0]	1435791-2
.50	1.0±.05 [39.4±2.0]	1435791-1

REVISIONS				
P.	LTN	DESCRIPTION	DATE	APVD
B		REV PER ECO-13-014014	24SEP2013	JM RA
C		REV PER ECN 8000019203	27JAN2017	GG DP



⚠ DIMENSIONS IN [] ARE IN INCHES.
 ⚠ MAXIMUM CONNECTOR LOSS IS EQUAL TO .50 dB PLUS CABLE ATTENUATION.

THIS DRAWING IS A CONTROLLED DOCUMENT.		DWN J MCNEAL 31MAY2005 CHK L SMITH 31MAY2005 APVD M DELPHIAS 31MAY2005	COMMSCOPE, INC. NAME CABLE ASSY FIBER OPTIC AMPTRAC LC TO LC, DUPLEX, SINGLEMODE	
DIMENSIONS: METERS TOLERANCES UNLESS OTHERWISE SPECIFIED: 0 PLC ± 1 PLC ± 2 PLC ± 3 PLC ± 4 PLC ± ANGLES ±	FINISH MATERIAL	PRODUCT SPEC APPLICATION SPEC WEIGHT CUSTOMER DRAWING	SIZE A1 CAGE CODE C=1435791 SCALE 2:1	RESTRICTED TO SHEET 1 OF 1 REV C