

**PLEASE CHECK WWW.MOLEX.COM FOR LATEST PART INFORMATION**

**Part Number:** [0879190001](#)  
**Status:** **Active**  
**Description:** 1.00mm Pitch DDR-2 DIMM Socket, 25 Degree Reverse Angle, Through Hole, 240 Circuits, 1.8V Voltage Key, 2.79mm Tail Length, 0.76µm Gold (Au) Plating, Lead-Free

**Documents:**

[3D Model](#) [Product Specification PS-87919-006 \(PDF\)](#)  
[Drawing \(PDF\)](#) [RoHS Certificate of Compliance \(PDF\)](#)

**General**

|                |                                |
|----------------|--------------------------------|
| Product Family | Memory Module Sockets          |
| Series         | 87919                          |
| Comments       | <LI>Latches in Off-White Color |
| Component Type | Socket                         |
| JEDEC Outline  | MO-237                         |
| Product Name   | DDR2 DIMM                      |
| UPC            | 822348769834                   |

**Physical**

|                                |                                |
|--------------------------------|--------------------------------|
| Circuits (Loaded)              | 240                            |
| Color - Resin                  | Black, Natural                 |
| Durability (mating cycles max) | 25                             |
| Entry Angle                    | 25° Angle                      |
| Keying to Mating Part          | Yes                            |
| Material - Plating Mating      | Gold                           |
| Material - Plating Termination | Tin                            |
| Material - Resin               | High Temperature Thermoplastic |
| Net Weight                     | 11.328/g                       |
| PC Tail Length                 | 2.79mm                         |
| PCB Locator                    | Yes                            |
| PCB Retention                  | Yes                            |
| PCB Thickness - Recommended    | 1.60mm                         |
| Packaging Type                 | Tray                           |
| Pitch - Mating Interface       | 1.00mm                         |
| Plating min - Mating           | 0.762µm                        |
| Plating min - Termination      | 2.540µm                        |
| Temperature Range - Operating  | -55°C to +85°C                 |
| Termination Interface: Style   | Through Hole                   |

**Electrical**

|                               |      |
|-------------------------------|------|
| Current - Maximum per Contact | 0.5A |
| Voltage - Maximum             | 30V  |
| Voltage Key                   | 1.8V |

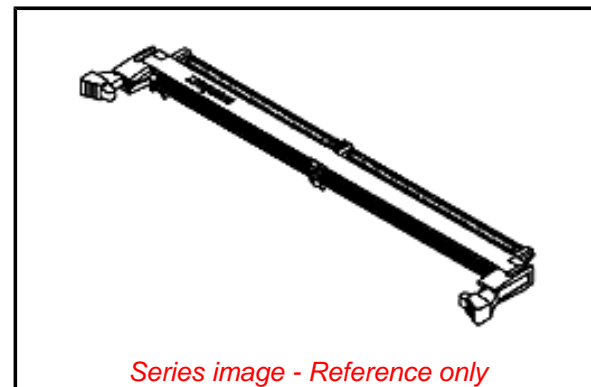
**Solder Process Data**

|  |          |
|--|----------|
| Duration at Max. Process Temperature (seconds) | 010      |
| Lead-freeProcess Capability                    | SMC&WAVE |
| Max. Cycles at Max. Process Temperature        | 002      |
| Process Temperature max. C                     | 260      |

**Material Info**

**Reference - Drawing Numbers**

|                       |              |
|-----------------------|--------------|
| Product Specification | PS-87919-006 |
| Sales Drawing         | SD-87919-001 |



*Series image - Reference only*

**EU ELV**

**Not Relevant**

**EU RoHS**

**Compliant**

**REACH SVHC**

Contains SVHC(2015 June 15): No

**Halogen-Free**

**Status**

**Not Low-Halogen**

**Need more information on product environmental compliance?**

Email [productcompliance@molex.com](mailto:productcompliance@molex.com)  
Please visit the [Contact Us](#) section for any non-product compliance questions.

China ROHS

ELV

Green Image

Not Relevant

**Search Parts in this Series**

[87919 Series](#)

**Mates With**

JEDEC Standard 1.27mm Modules

This document was generated on 08/27/2015

**PLEASE CHECK [WWW.MOLEX.COM](http://WWW.MOLEX.COM) FOR LATEST PART INFORMATION**