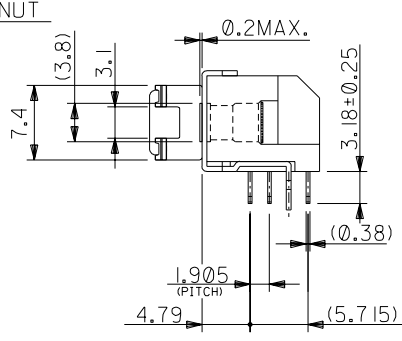
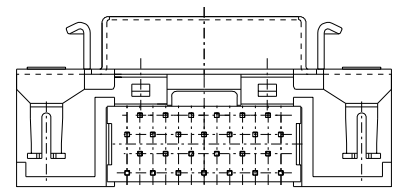
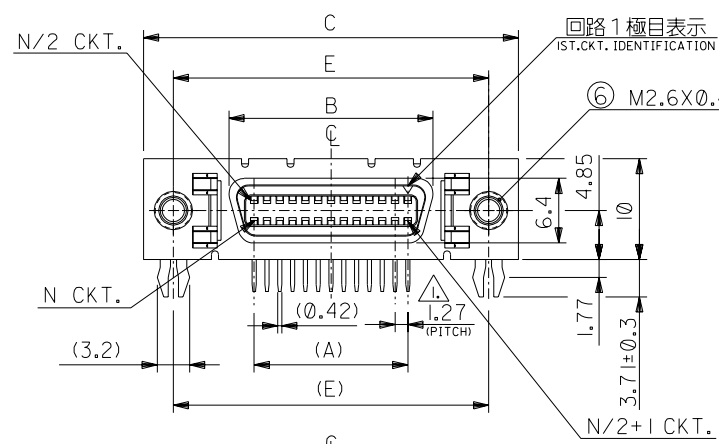
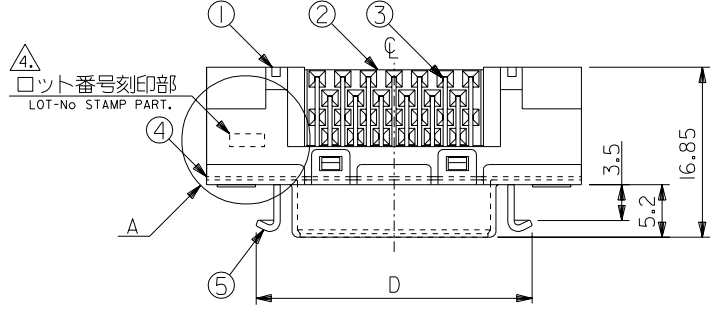


DWG. NO. SD-52986-021



| NO. | 部品名 PART NAME | 材質 MATERIAL | 仕上げ FINISH |
|-----|-------------------------------------|--|---|
| ① | リセプタクル ハウジング RECEPTACLE HOUSING | ガラス入りPBT、黒色、UL94V-0 G.F.PBT, BLACK, UL94V-0 | —#— |
| ② | ガイドプレート GUIDE PLATE | ガラス入りPBT、黒色、UL94V-0 G.F.PBT, BLACK, UL94V-0 | —#— |
| ③ | リセプタクル ターミナル RECEPTACLE TERMINAL | りん青銅 PHOSPHOR BRONZE | △3 |
| ④ | シェル SHELL | 鋼材 STEEL | 下地: ニッケルメッキ UNDER PLATING: Ni 仕上げ: 鍍メッキ FINISH PLATING: Sn |
| ⑤ | ラッチレシーバー LATCH RECEIVER | 鋼材 STEEL | 下地: 銅 UNDER PLATING: Cu 仕上げ: ニッケルメッキ FINISH PLATING: Ni |
| ⑥ | ロックナット LOCK NUT | 黄銅 COPPER | —#— |

注記
NOTES

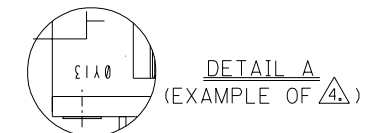
△1 公差非累積
NON CUMULATIVE TOLERANCE

2. 推奨基板厚
RECOMMENDED P.C.B. THICKNESS: $t=1.6\pm0.2$

△3. ターミナル メッキ仕様
TERMINAL PLATING
金メッキ: $0.3\ \mu\text{m}$ MIN. (接点部)
GOLD: $0.3\ \mu\text{m}$ MIN. (CONTACT AREA)
錫メッキ: $1.0\ \mu\text{m}$ MIN. (半田付け部)
TIN: $1.0\ \mu\text{m}$ MIN. (SOLDER AREA)
ニッケルメッキ: $2.0\ \mu\text{m}$ MIN. (下地メッキ)
NICKEL: $2.0\ \mu\text{m}$ MIN. (UNDER PLATING)

△4. ロット番号刻印内容
CONTENTS OF LOT-NO STAMP.
文字の色: 白 TEXT COLOR: WHITE
例: OY13 (2000年11月13日の場合) (ex: 2000/11/13)
日 DATE
月 (1~9月: 1~9 10月: X 11月: Y 12月: Z)
MONTH (Jan~Sept: 1~9 Oct: X Nov: Y Dec: Z)
年度 YEAR

5. 本製品は52986-***51の鉛フリー品である。
THIS PRODUCT IS LEAD FREE OF 52986-***51

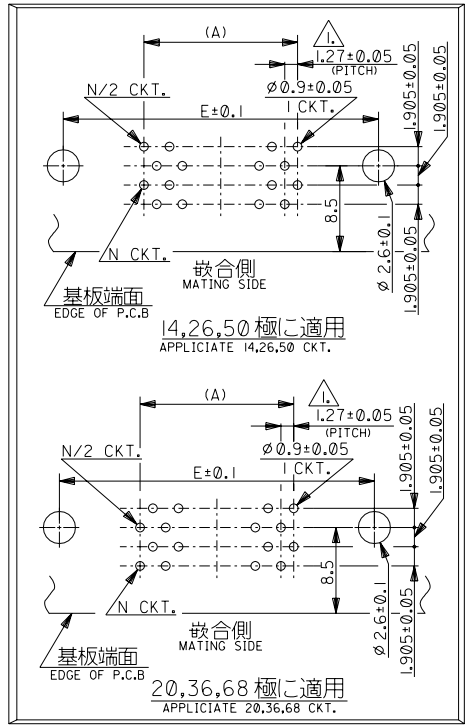
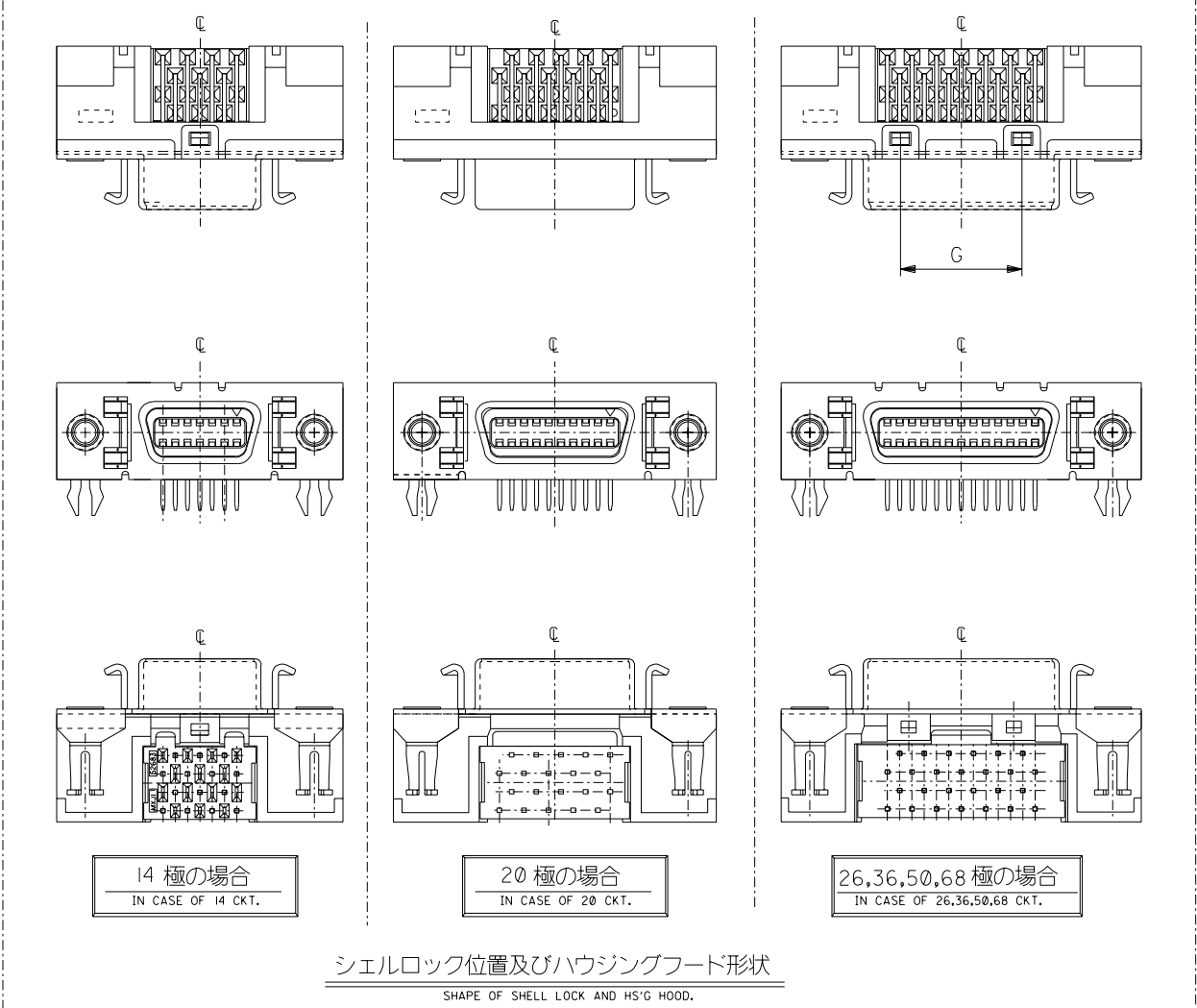


| | | | | | | | | | |
|-------|-------|-------|-------|-------|-------|-------|-------------|----------------------|------------|
| 33.02 | 54.52 | 57.93 | 54.03 | 63.83 | 46.91 | 41.91 | 52986-***59 | 52986-6859 | 68 |
| 27.79 | 43.09 | 46.5 | 42.6 | 52.4 | 35.48 | 30.48 | | 52986-5059 | 50 |
| 12.7 | 34.20 | 37.61 | 33.71 | 43.51 | 26.59 | 21.59 | | -3659 | 36 |
| 12.55 | 27.85 | 31.26 | 27.36 | 37.16 | 20.24 | 15.24 | | -2659 | 26 |
| → | 24.04 | 27.45 | 23.55 | 33.35 | 16.43 | 11.43 | | -2059 | 20 |
| → | 20.23 | 23.64 | 19.74 | 29.54 | 12.62 | 7.62 | 52986-1459 | 14 | |
| G | F | E | D | C | B | A | MODEL NO. | 製品番号 MATERIAL NO. | 極数 CKT. |

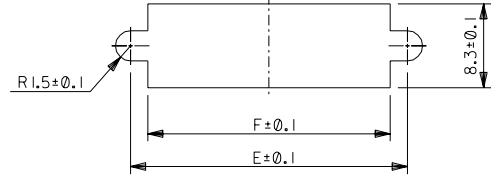
DO NOT SCALE DRAWING

| EC NO. | DRWN: | CHK: | APPR: | EC NO. | DRWN: | CHK: | APPR: | EC NO. | DRWN: | CHK: | APPR: | EC NO. | DRWN: | CHK: | APPR: | REV | DESCRIPTION | MATERIAL | FINISH | WIRE RANGE | INS. RANGE |
|--------|-------|------|-------|--------|-------|------|-------|--------|-------|------|-------|--------|-------|------|-------|-----|--|----------|--------|------------|------------|
| | | | | | | | | | | | | | | | | 0 | RELEASED EC NO. J2004-4666 DRWN: M.NABEI CHK: K.TOJO APPR: M.SASAO | 材料 | 仕上げ | 適用電線範囲 | 被覆外径 |

| GENERAL TOLERANCES: (UNLESS SPECIFIED) 一般公差 | | SCALE | DESIGN UNITS | THIRD ANGLE PROJECTION | DIMENSIONS: | SHT | REV | |
|---|-------|--|--|--|---|--------------|-----|-----------|
| 10 UNDER 未満 | ±0.2 | 2:1 | <input checked="" type="checkbox"/> mm <input type="checkbox"/> INCH | <input checked="" type="checkbox"/> THIRD ANGLE <input type="checkbox"/> FIRST ANGLE | <input type="checkbox"/> mm <input type="checkbox"/> INCH | | | |
| 10 OVER 30 UNDER 未満 | ±0.25 | | | | | | | |
| 30 OVER 以上 | ±0.3 | | | | | | | |
| ANGLE 角度 | ±3° | | | | | | | |
| RELEASED | | DRAWN BY & DATE M.NABEI '04/06/10 | | TITLE: 1.27 I/O METAL/L R/A REC. ASS'Y(CAULKING) -LEAD FREE- | | | | |
| | | CHECKED BY & DATE K.TOJO '04/06/10 | | MOLEX MOLEX INCORPORATED | | | | |
| | | APPROVED BY & DATE M.SASAO '04/06/10 | | MATERIAL NO. | | DRAWING NO. | | |
| | | CAD FILENAME SD-52986-021.S01 | | SEE CHART | | SD-52986-021 | | |
| | | | | SHEET NO. | | 1 OF 2 | | |
| | | THIS DRAWING CONTAINS INFORMATION THAT IS PROPRIETARY TO MOLEX INCORPORATED AND SHOULD NOT BE USED WITHOUT WRITTEN PERMISSION. | | | | | | SIZE B |



基板穴推奨寸法 (部品実装側)
RECOMMENDED P.C.B LAYOUT (COMPONENT SIDE)



パネル取り付け穴推奨寸法
RECOMMENDED PANEL OPENING

DO NOT SCALE DRAWING

| | | | | | | | | | | | | | | | | | |
|-----------------------------------|-----------------------------------|-----------------------------------|-----------------------------------|-----------------------------------|-----------------------------------|-----------------------------------|-------------|------------------------|---|--|--|--|---|---|-----|-----|---------------------------|
| EC NO. DRAWN: CHK: APPR: | EC NO. DRAWN: CHK: APPR: | EC NO. DRAWN: CHK: APPR: | EC NO. DRAWN: CHK: APPR: | EC NO. DRAWN: CHK: APPR: | EC NO. DRAWN: CHK: APPR: | EC NO. DRAWN: CHK: APPR: | DESCRIPTION | MATERIAL 材料 | GENERAL TOLERANCES: (UNLESS SPECIFIED) 一般公差 | SCALE | DESIGN UNITS | THIRD ANGLE PROJECTION | DIMENSIONS: | | SHT | REV | |
| | | | | | | | | | | 2 : 1 | <input checked="" type="checkbox"/> mm <input type="checkbox"/> INCH | | <input type="checkbox"/> mm <input type="checkbox"/> INCH | <input checked="" type="checkbox"/> mm ONLY | | | |
| | | | | | | | | | 10 UNDER 未満 | ±0.2 | DRAWN BY & DATE M.NABEI '04/06/10 | TITLE: 1.27 I/O METAL/L R/A REC. ASS'Y(CAULKING) -LEAD FREE- | | | | | |
| | | | | | | | | 10 OVER 30 UNDER 以上 未満 | ±0.25 | CHECKED BY & DATE K.TOJO '04/06/10 | | | | | | | |
| | | | | | | | | | 30 OVER 以上 | ±0.3 | APPROVED BY & DATE M.SASAO '04/06/10 | MOLEX MOLEX INCORPORATED | | | | | |
| | | | | | | | | | ANGLE 角度 | ±3° | CAD FILENAME SD-52986-021.S02 | | | | | | MATERIAL NO. SEE CHART |
| | | | | | | | REV | INS. RANGE 被覆外径 | RELEASED | THIS DRAWING CONTAINS INFORMATION THAT IS PROPRIETARY TO MOLEX INCORPORATED AND SHOULD NOT BE USED WITHOUT WRITTEN PERMISSION. | | | | | | | SIZE B |