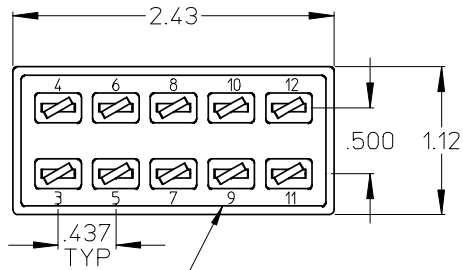
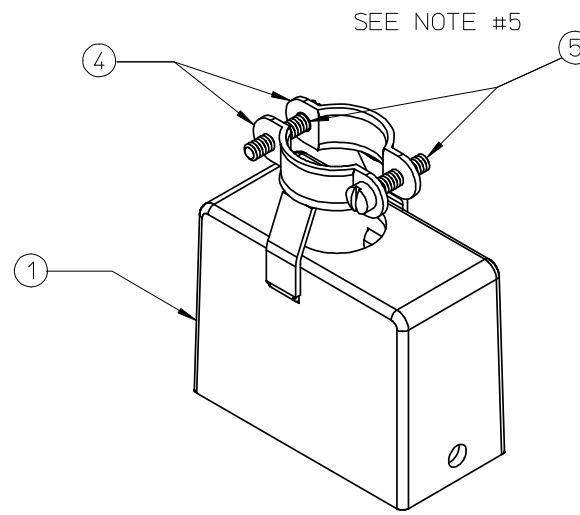


#33 DRILL X .50" DEEP
C'SINK 90° X 3/16 DIA.

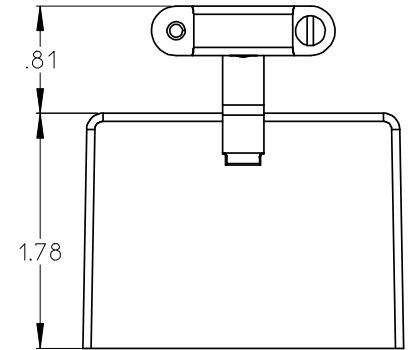
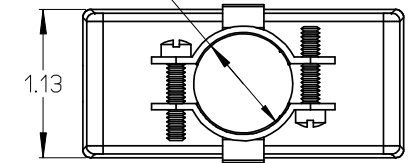


CONTACT NUMBERING VIEWED FROM WIRING ENDS.

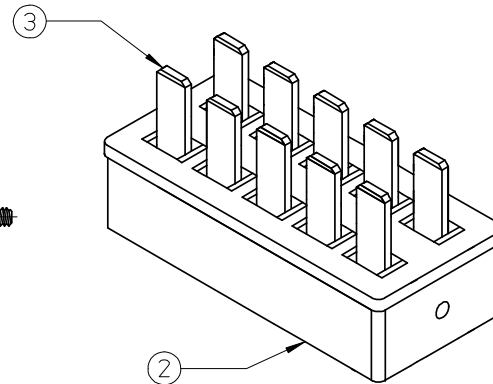
BASE PLUG VIEW FOR REFERENCE ONLY



Ø.56 CABLE HOLE



BACKSHELL VIEW FOR REFERENCE ONLY



SEE NOTE #4

NOTES:

1. MATERIAL: SEE TABLE.
2. FINISHES: SEE TABLE.
3. PRODUCT SPECIFICATION: NOT REQUIRED.
4. SCREWS (ITEM #6) & BASE PLUG (ITEM #2) ARE NOT ASSEMBLED TO THE BACKSHELL (ITEM #1).
5. ONLY THE CLAMPS (ITEM #4) ARE TO BE ASSEMBLED TO THE BACKSHELL (ITEM #1) WITH THE SCREWS (ITEM #5).
6. RoHS COMPLIANT BY EXEMPTION.

ITEM	QTY.	DESCRIPTION	MATERIAL	FINISH	REV	DESCRIPTION	QUALITY SYMBOLS	GENERAL TOLERANCES (UNLESS SPECIFIED)	DIMENSION STYLE	SCALE	DESIGN UNITS	THIRD ANGLE PROJECTION
6	2	SCREW #6-32X.312 PAN SLOTN/STEEL	STEEL	NICKEL	A	INITIAL RELEASE	▽=0	4 PLACES ± --- ± ---	INCH ONLY	1:1	INCH	THIRD ANGLE PROJECTION
5	2	SCREW #6-32X.625 FIL SLOTZN/BR/STEEL	STEEL	ZN, CLEAR CHROMATE		EC NO: WNA2008-0126	▽=0	3 PLACES ± --- ± .005				
4	2	CLAMP CABLE 3300 NI PLATE PER SPEC C120	STEEL	NICKEL		DRWN: JENCINAS 2008/03/20		2 PLACES ± --- ± .01				
3	10	CONTAC P A 5400 SN/B	BRASS	TIN		CHKD: CYORK 2008/04/10		1 PLACE ± --- ± ---				
2	1	BASE PLUG 5410 MO W/O GPP	PHENOLIC	BLACK		APPR: JMACNEIL 2008/04/16		ANGULAR ± 2 °				
1	1	BCKSHL P S 5410 MO	THERMOPLASTIC	BLACK				DRAFT WHERE APPLICABLE MUST REMAIN WITHIN DIMENSIONS				
								MATERIAL NO. 385490797		DOCUMENT NO. SD-38549-004		SHEET NO. 1 OF 1
								THIS DRAWING CONTAINS INFORMATION THAT IS PROPRIETARY TO MOLEX INCORPORATED AND SHOULD NOT BE USED WITHOUT WRITTEN PERMISSION				