

DO NOT SCALE DRAWING  
DIMENSION IN METRIC

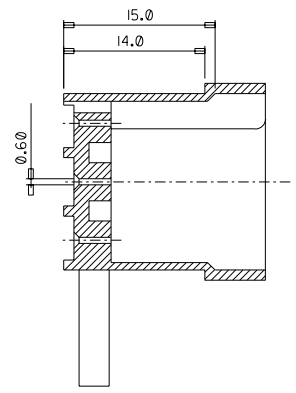
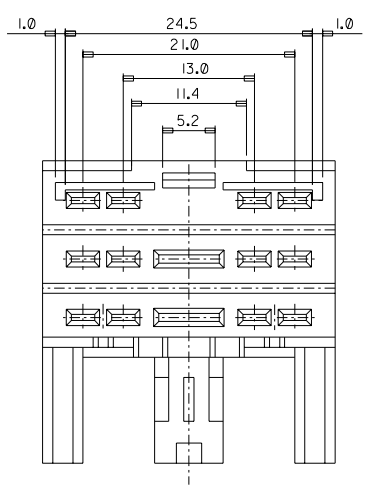
DWG. NO.  
SD-35324-001

SIMILAR ITEM

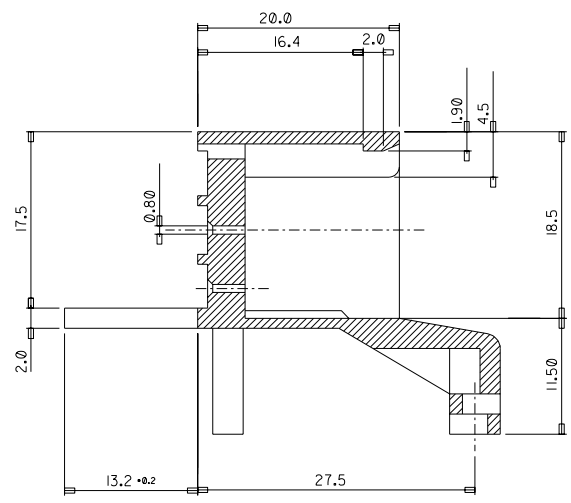
PROJECT NO.

C

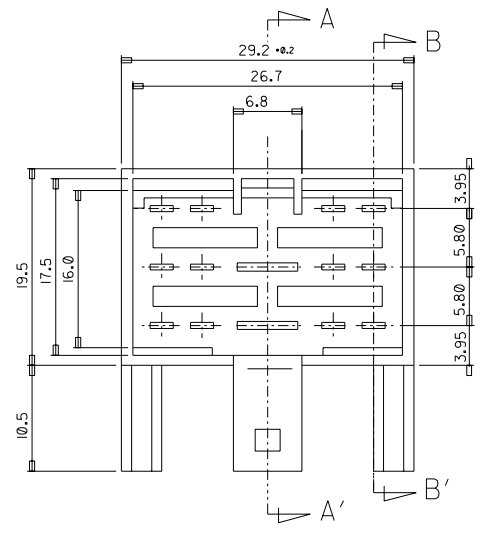
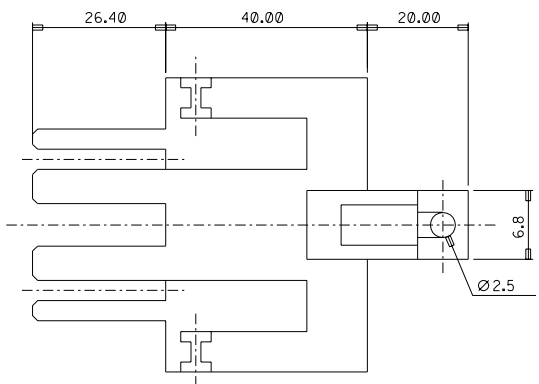
B



SECTION B-B'



SECTION A-A'



NOTE

- 1. MATERIAL : NYLON, UL94-V2
- 2. COLOR: NATURAL

MATERIAL NO.	ENG. NO.
353241410	35324-1410

REVISED	EC NO. : KOR2002-0141
	DRWN: S.M.KIM 02/06/07
	CHK: H.C.RHO
	APPR: C.W.LEE
REV	DESCRIPTION
C	

QUALITY SYMBOLS
MAJOR
CRITICAL

GENERAL TOLERANCES: (UNLESS SPECIFIED)	
	mm INCH
4 PLACES	±. INCH
3 PLACES	±. INCH
2 PLACES	±. INCH
1 PLACE	±0.15 INCH
ANGULAR: ± 1.0°	
DRAFT WHERE APPLICABLE MUST REMAIN WITHIN DIMENSIONS	

SCALE	DESIGN UNITS
2/1	<input checked="" type="checkbox"/> mm <input type="checkbox"/> INCH
DRAWN BY & DATE	
C.Y.CHO '95.08.10	
CHECKED BY & DATE	
B.K.CHOI '95.08.10	
APPROVED BY & DATE	
C.W.LEE '95.08.10	
CAD FILENAME	
SD35324.DGN	

DIMENSIONS:		SHT	REV
<input type="checkbox"/> mm <input type="checkbox"/> INCH	<input checked="" type="checkbox"/> mm <input type="checkbox"/> INCH ONLY		REVISE ON CAD ONLY
TITLE:			
14P SWH CONN.(R/A) WAFER			
MOLEX INCORPORATED			
MATERIAL NO.	DRAWING NO.	SHEET NO.	SIZE
SEE TABLE	SD-35324-001	1/1	B
THIS DRAWING CONTAINS INFORMATION THAT IS PROPRIETARY TO MOLEX INCORPORATED AND SHOULD NOT BE USED WITHOUT WRITTEN PERMISSION.			