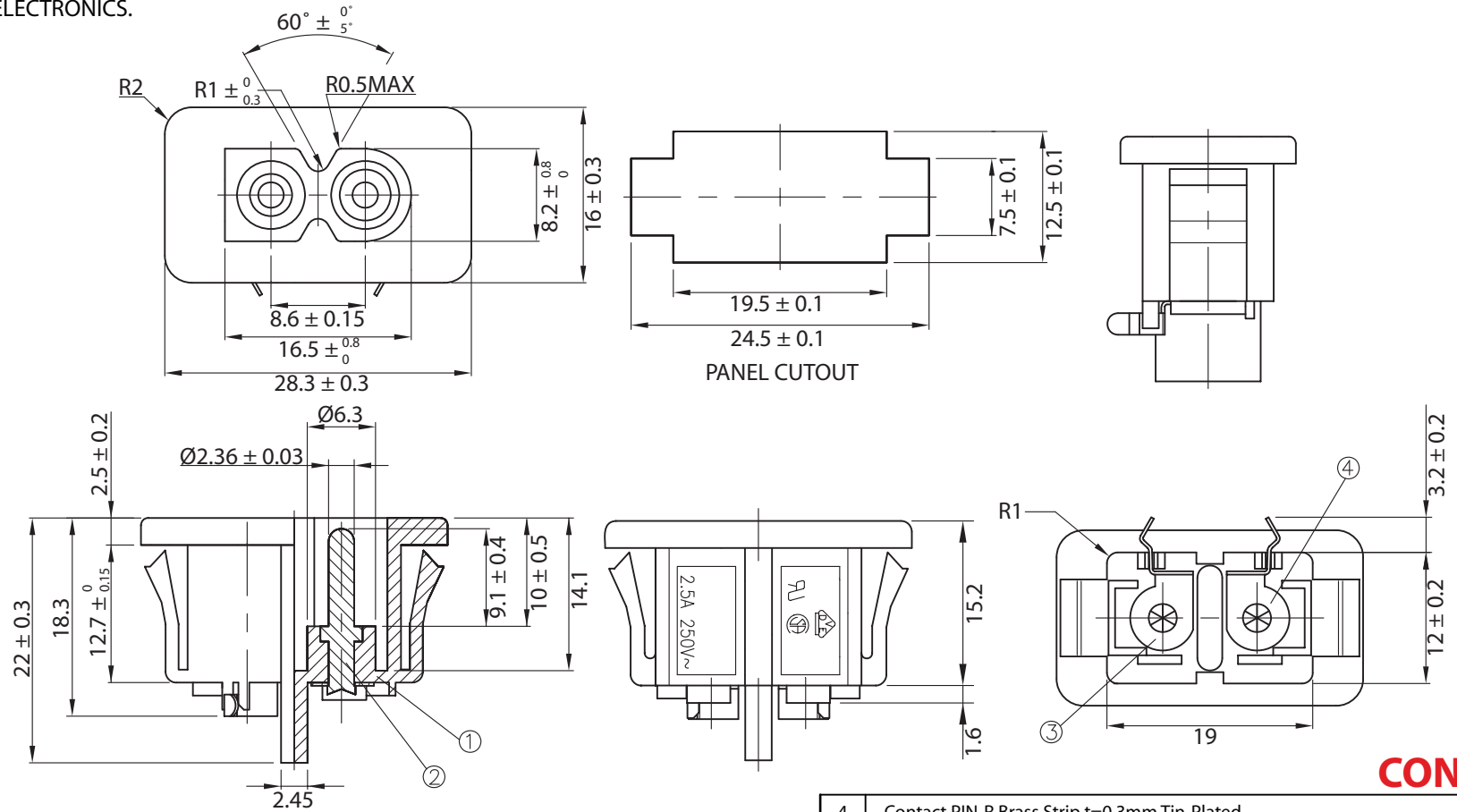


THESE DRAWINGS ARE THE PROPERTY OF QUALTEK ELECTRONICS AND NOT TO BE REPRODUCED FOR OR COMMUNICATED TO A THIRD PARTY WITHOUT THE EXPRESS WRITTEN PERMISSION OF AN OFFICER OF QUALTEK ELECTRONICS.

| REVISION | | | |
|----------|------------------------|----------|----------|
| REV. | DESCRIPTION | DATE | APPROVED |
| B | RoHS Compliancy | 06-01-06 | DP |
| C | Updated Specifications | 10-18-07 | DP |



CONTROLLED

NOTES:

RATING: 2.5A 250V AC
 APPROVALS: UL, CSA, VDE,
 PANEL THICKNESS: 0.6~2.0mm
 RoHS COMPLIANT

| | | |
|---|---|---|
| 4 | Contact PIN-R Brass Strip t=0.3mm Tin-Plated | 1 |
| 3 | Contact PIN-L Brass Strip t=0.3mm Tin-Plated | 1 |
| 2 | Solid Contact PIN Brass Strip d=Ø2.36mm Ni-Plated | 2 |
| 1 | Body Insulator PC Black Color | 1 |

| Dim range (mm) | Tolerance +/- (mm) | Qualtek Electronics Corp. PPC DIVISION | | |
|----------------|--------------------|---|----------------|-----------------|
| | | Part Number: | 770W-X2/12 | RoHS Compliant |
| 0-1 | 0.15 | Description: RECEPTACLES | | |
| 1-6 | 0.20 | | UNIT: mm | REV. C |
| 6-18 | 0.30 | | | |
| 18-50 | 0.50 | | | |
| 50-120 | 0.70 | Drawn / Date | Checked / Date | Approved / Date |
| 120-250 | 0.90 | B.Zhang 06-16-03 | 06-16-03 | JJH / 06-16-03 |
| 250-500 | 1.20 | | | |