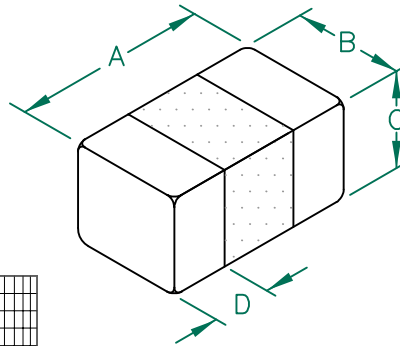


# LI0402C470R-10

**UNCONTROLLED DOCUMENT**

## PHYSICAL DIMENSIONS:

A	1.00 [.040]	+ / -	0.15 [.006]
B	0.50 [.020]	+ / -	0.15 [.006]
C	0.50 [.020]	+ / -	0.15 [.006]
D	0.30 [.012]	+ / -	MAX.

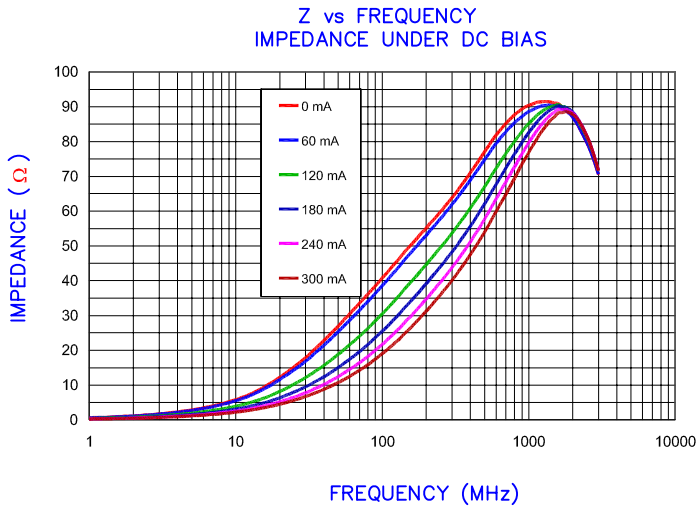


## ELECTRICAL CHARACTERISTICS:

	Z @ 100MHz (Ω)	DCR (Ω)	Rated Current
Nominal	47		
Minimum	35		
Maximum	59	0.15	300 mA

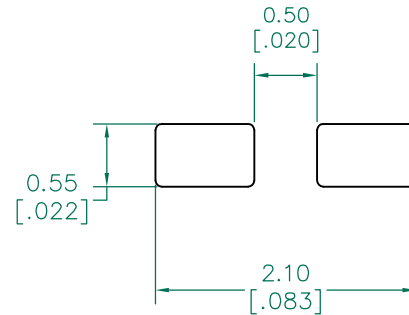
NOTES: UNLESS OTHERWISE SPECIFIED

1. TAPED AND REELED per CURRENT EIA SPECIFICATIONS 7" REELS, 10,000 PCS/REEL, PAPER TAPE.
2. TERMINATION FINISH IS 100% TIN.
3. COMPONENTS SHOULD BE ADEQUATELY PREHEATED BEFORE SOLDERING.
4. OPERATING TEMP. RANGE: -40°C~+125°C. (INCLUDING SELF-HEATING)

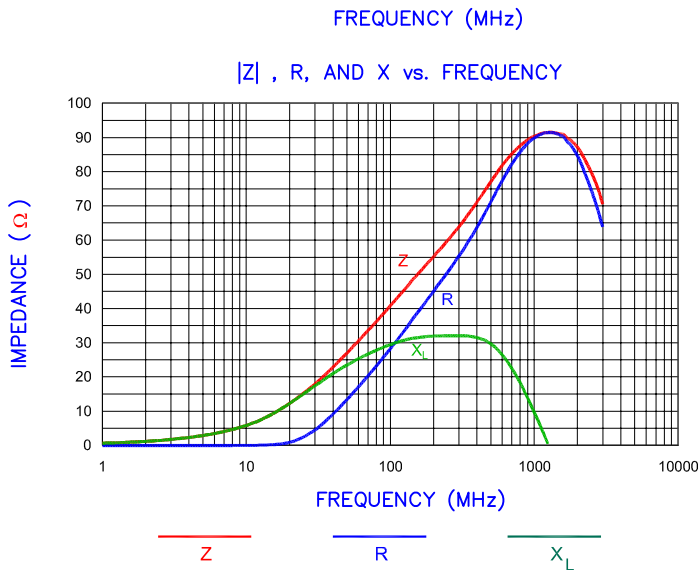
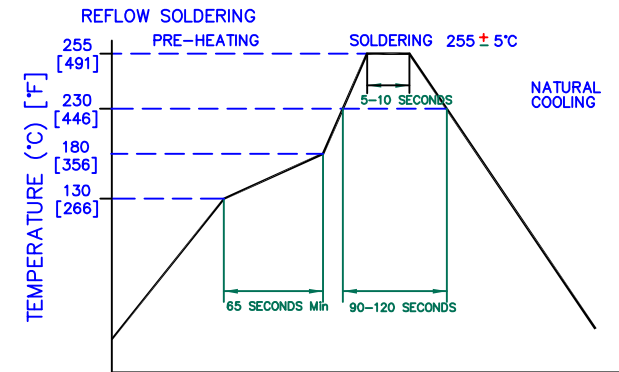


## LAND PATTERNS FOR REFLOW SOLDERING

## RECOMMENDED SOLDERING CONDITIONS



(For wave soldering, add 0.762 [.030] to this dimension.)



DIMENSIONS ARE IN mm [INCHES].				This print is the property of Laird Tech. and is loaned in confidence subject to return upon request and with the understanding that no copies shall be made without the written consent of Laird Tech. All rights to design or invention are reserved.		<b>Laird</b>	
D	ADD OPERATING TEMPERATURE UPDATE LAIRD LOGO AND REFLOW CURVE	08/05/13	QU	PROJECT/PART NUMBER:	REV	PART TYPE:	DRAWN BY:
C	UPDATE COMPANY LOGO	07/08/08	JRK	LI0402C470R-10	D	CO-FIRE	JRK
B	CORRECT DC BIAS CURVE DATA	07/27/07	JRK	DATE:	SCALE:	NTS	SHEET:
A	ORIGINAL DRAFT	07/24/07	JRK	07/24/07			
REV	DESCRIPTION	DATE	INT	CAD #	TOOL #	-	2 of 2

