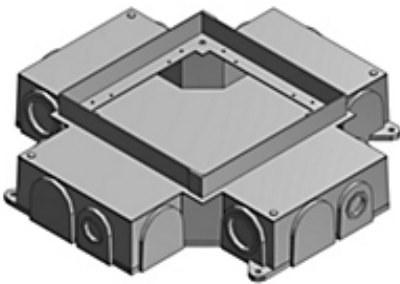
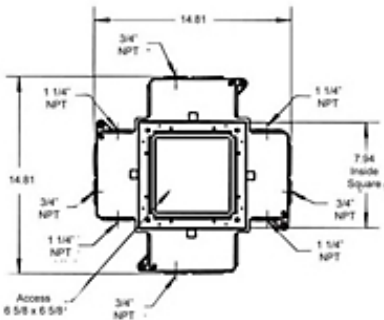


Actual



Representative



Line Art

Project: SVI CHI
Location: NLR AR

Gigerich Elec/Graybar

Catalog Number: 665-CI
Product ID: 7TAA003130R0009
UPC Number: 78599103865
EAN Number: 05415022253009
Status: Active

Four Gang Recessed Service Floor Box, 126 Cubic Inches for Device Access and 45 Cubic Inches for Device Compartments, Length 14.81 Inches, Width 14.81 Inches, Depth 3-5/8 Inches, Compartment Size Length 5-3/4 Inches Width 3-1/2 and 2-1/4 Inches and Depth 3-3/8 Inches, 3/4 Inch and 1-1/4 Inch Threaded Conduit Openings, Cast Iron, Delivers Power, Communications and Data from Standard Conduit with No Exposed Service Fittings

- Allows installation of up to 4 device panels in one box
- Feed-through from 4 sides allows installer to feed-through power or data/communication services from any orientation
- Total access area of 126 Cubic Inches allows for friendly installation of workstation cables
- Overall height of 3 1/2 Inch allows for shallow pours when needed
- 28 knockouts provide increased flexibility, (16)-1 1/4 Inch and (12)-3/4 Inch
- 4 leveling screws provide 2-1/2 Inch pre-pour adjustment
- Self-leveling covers provide 3/4 Inch after-pour adjustment to accommodate different floor cover thicknesses

North American Specifications (UNSPSC)

UNSPSC	39121307 Floor boxes
IGCC	4432 Floor boxes
Brand Name	Steel City
Type	Recessed Service
Special Features	Allows installation of up to 4 device panels in one box
Application	Ideal for modern office with workstations that have power, communications and data equipment.
Standard	UL E2969
Material	Cast Iron
Cubic Capacity	126 Cubic Inches

European Specifications (ETIM)

ETIM	EC000024 Installation box for underfloor-installation
Cover model	Rectangular
Suitable for wet cleaning	Y
Suitable for hollow floor	Y
Material	Other
With opening carpeting	N
Min. built-in depth	3.625mm
Colour	Other
Length external dimension	376.174mm
Width outside dimension	376.174mm

Packaging

Outer Quantity	1
Outer Dimensions (inches)	13.1x11.3x11.8
Weight Uom	27.52 lbs. Each

Documents / Support Tools

Technical Drawing / Data Sheet	WSD-000090
Technical Drawing / Data Sheet Canada	Available on Website
Instruction Sheet	TA02931-TB2

For further technical assistance, please contact us...

Thomas & Betts - USA
8155 T&B Blvd.
Memphis, TN 38125
www.tnb.com

T&B Technical Support
MS 3B-50
8155 T&B Blvd.
Memphis, TN 38125

Hours: 7AM - 6PM CDT
Monday-Friday
Phone: (888) 862-3289
Fax: (901) 252-1321
Email:techsupport@tnb.com