

**PLEASE CHECK WWW.MOLEX.COM FOR LATEST PART INFORMATION**

**Part Number:** [0521510710](#)  
**Status:** **Active**  
**Overview:** Wire Trap  
**Description:** 2.00mm Pitch Wire Trap, Pull-Cover Style, Right Angle, 7 Circuits

**Documents:**

[3D Model](#) [Packaging Specification SPK-52151-001-001 \(PDF\)](#)  
[Drawing \(PDF\)](#) [RoHS Certificate of Compliance \(PDF\)](#)  
[Product Specification PS-52147-001-001 \(PDF\)](#)

**Agency Certification**

UL E29179

**General**

Product Family Ribbon Cable / Wire Trap Connectors  
 Series [52151](#)  
 Comments Pull-Cover  
 Component Type One Piece  
 Glow-Wire Capable No  
 Overview [Wire Trap](#)  
 Product Name Board-in, Wire Trap  
 UPC 800753570726

**Physical**

Circuits (Loaded) 7  
 Entry Angle 90° Angle  
 Flammability 94V-0  
 Lock to Mating Part None  
 Material - Metal Phosphor Bronze  
 Material - Plating Mating Tin  
 Material - Plating Termination Tin  
 Net Weight 644.100/mg  
 Number of Rows 1  
 PCB Retention Yes  
 PCB Thickness - Recommended 1.60mm  
 Packaging Type Tray  
 Pitch - Mating Interface 2.00mm  
 Plating min - Mating 0.914µm  
 Plating min - Termination 0.914µm  
 Polarized to Mating Part N/A  
 Polarized to PCB No  
 Stackable No  
 Surface Mount Compatible (SMC) No  
 Temperature Range - Operating -40°C to +105°C  
 Termination Interface: Style Through Hole - Kinked Pin  
 Wire Insulation Diameter 1.60mm max.  
 Wire Size AWG 26  
 Wire/Cable Type Ribbon Cable

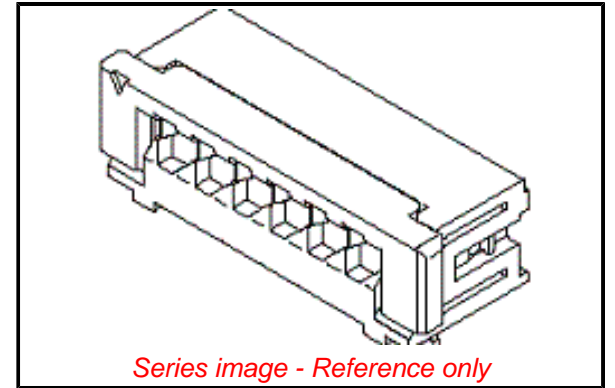
**Electrical**

Current - Maximum per Contact 2.0A  
 Voltage - Maximum 150V

**Material Info**

**Reference - Drawing Numbers**

[Packaging Specification](#) SPK-52151-001-001  
[Product Specification](#) PS-52147-001-001



**EU ELV**

**Not Relevant**

**EU RoHS**

**Compliant**

**REACH SVHC**

Not Contained Per  
 -ED/01/2018 (15  
 January 2018)

**Halogen-Free**

**Status**

**Not Low-Halogen**

**Need more information on product  
 environmental compliance?**

Email [productcompliance@molex.com](mailto:productcompliance@molex.com)  
 Please visit the [Contact Us](#) section for any  
 non-product compliance questions.

China ROHS	Green Image
ELV	Not Relevant
RoHS Phthalates	Not Contained

**Search Parts in this Series**

[52151 Series](#)

**Mates With**

N/A

**Use With**

Topcoated Ribbon Cable

This document was generated on 07/16/2018

**PLEASE CHECK [WWW.MOLEX.COM](http://WWW.MOLEX.COM) FOR LATEST PART INFORMATION**