

PLEASE CHECK WWW.MOLEX.COM FOR LATEST PART INFORMATION

Part Number: [06-02-3031](#)
Status: **Active**
Overview: [Flat Blade](#)
Description: Flat Blade Micro Switch Crimp Housing, 3 Circuit

Documents:

[3D Model](#) [RoHS Certificate of Compliance \(PDF\)](#)
[Drawing \(PDF\)](#)

Agency Certification

CSA LR19980
 UL E29179

General

Product Family Crimp Housings
 Series [2191](#)
 Application Power, Wire-to-Wire
 Overview [Flat Blade](#)
 Product Name Flat Blade
 UPC 800754232869

Physical

Circuits (maximum) 3
 Color - Resin Natural
 Flammability 94V-2
 Gender Female
 Glow-Wire Compliant No
 Keying to Mating Part Yes
 Lock to Mating Part None
 Material - Resin Nylon
 Net Weight 1.923/g
 Number of Rows 1
 Packaging Type Bag
 Panel Mount No
 Pitch - Mating Interface 5.61mm, 7.49mm
 Pitch - Termination Interface 5.61mm, 7.49mm
 Stackable No
 Temperature Range - Operating -30°C to +105°C

Material Info

Old Part Number 2191

Reference - Drawing Numbers

Sales Drawing SD-2191-*

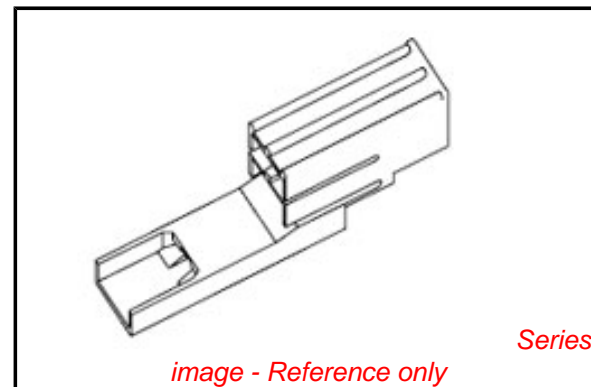


image - Reference only

EU RoHS

ELV and RoHS Compliant
REACH SVHC Contains SVHC: No
Low-Halogen Status Not Reviewed

China RoHS



Need more information on product environmental compliance?

Email productcompliance@molex.com
 For a multiple part number RoHS Certificate of Compliance, [click here](#)

Please visit the [Contact Us](#) section for any non-product compliance questions.

Search Parts in this Series

2191Series

Mates With

Micro Switch

Use With

2176 , 2576