

REVISED EC NO.: J2009-0795 DRWN: YOSHIDAM 2008/10/14 CHKD: THARUYAMA 2008/10/14 APPR: NUKITA 2008/10/15	GENERAL TOLERANCES (UNLESS SPECIFIED)		DIMENSION STYLE MM ONLY	SCALE ---	DESIGN UNITS METRIC	THIRD ANGLE PROJECTION
	10 UNDER	$\pm 0.2$	DRAWN BY N. YANO	DATE '99/07/26	TITLE 1.0 FPC CONN ZIF SMT	
	10 OVER 30 UNDER	$\pm 0.25$	CHECKED BY S. KUNISHI	DATE '99/07/26	MOLEX INCORPORATED DOCUMENT NO. SD-52103-001	
	30 OVER	$\pm 0.3$	APPROVED BY M. FUKUSHIMA	DATE '99/07/26		
DESCRIPTION	ANGULAR $\pm 3^\circ$	DRAFT WHERE APPLICABLE MUST REMAIN WITHIN DIMENSIONS		SEE SHEET 2 THIS DRAWING CONTAINS INFORMATION THAT IS PROPRIETARY TO MOLEX INCORPORATED AND SHOULD NOT BE USED WITHOUT WRITTEN PERMISSION		

注記 NOTES

△ 接点部までの嵌合長さ。  
LENGTH TO CONTACT POINT.

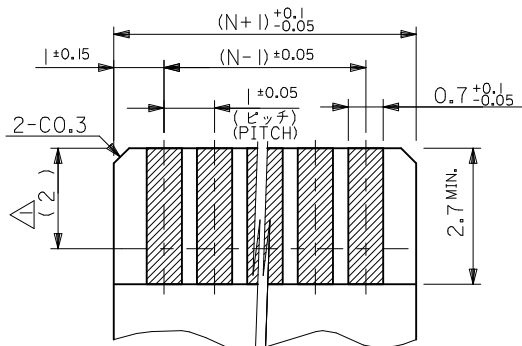
2. 使用材料 MATERIAL  
ハウジング : 46ナイロン, UL94V-0  
HOUSING : 46NYLON, UL94V-0

アクチュエータ : PPS, UL94V-0  
ACTUATOR : PPS, UL94V-0

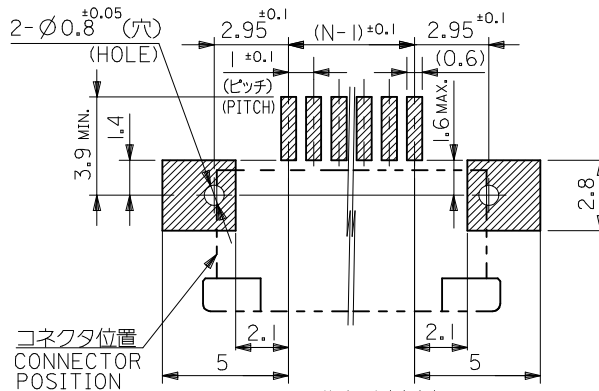
ターミナル : リン青銅, 錫メッキ (t=0.32)  
TERMINAL : PHOS-BRO, TIN PLATE(t=0.32)

金具 : リン青銅, 錫メッキ (t=0.25)  
FITTING NAIL : PHOS-BRO, TIN PLATE(t=0.25)

△ 位置決め及びパターンはくり止め用金具  
FITTING NAIL FOR POSITIONING AND BY WAY OF PREVENTION OF  
PEELING OFF P.C.B. PATTERN.



(仕上がり厚さ: 0.3 ±0.05)  
(THICKNESS: 0.3 ±0.05)  
適合FPC推奨寸法  
RECOMMENDED APPLICABLE  
FPC LAYOUT



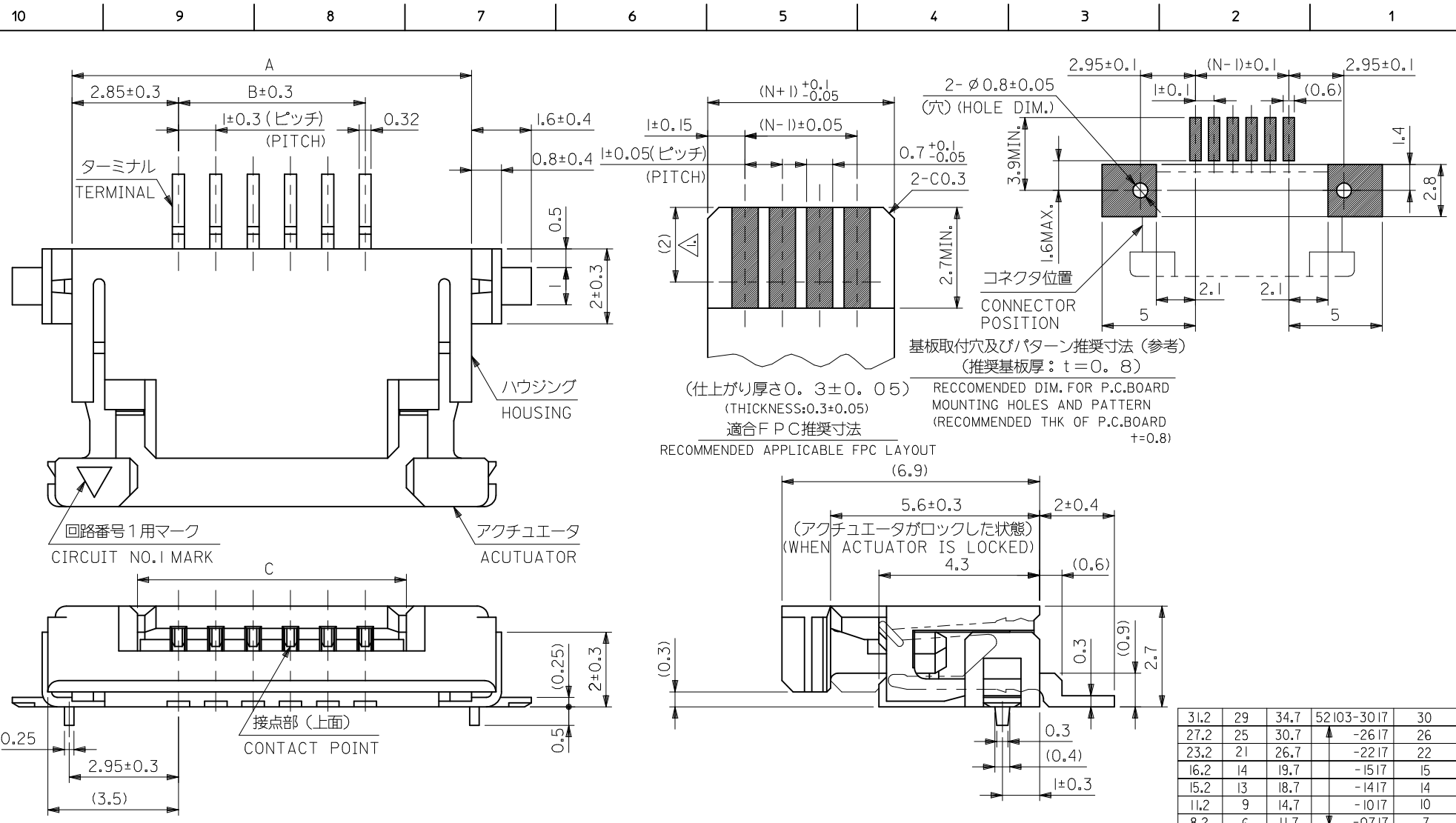
コネクタ位置  
CONNECTOR  
POSITION

パターン推奨寸法 (参考)

RECOMMENDED PATTERN DIM.(REF.)  
(推奨基板厚: t=0.8)  
(RECOMMENDED THICKNESS OF P.C. BOARD : t=0.8)

31.2	29	34.7	52103-3017	30
27.2	25	30.7	52103-2617	26
23.2	21	26.7	52103-2217	22
16.2	14	19.7	52103-1517	15
15.2	13	18.7	52103-1417	14
11.2	9	14.7	52103-1017	10
8.2	6	11.7	52103-0717	7
5.2	3	8.7	52103-0417	4
C	B	A	MATERIAL NO.	部 CKT.

REVISED EC NO.: J2009-0795 DRWN: YOSHIDAM 2008/10/14 CHKD: THARUYAMA 2008/10/14 APPR: NUKITA 2008/10/15	GENERAL TOLERANCES (UNLESS SPECIFIED)		DIMENSION STYLE MM ONLY		SCALE ---	DESIGN UNITS METRIC		THIRD ANGLE PROJECTION	
	10 UNDER	±0.2	DRAWN BY N. YANO	DATE '99/07/26	TITLE 1.0 FPC CONN ZIF SMT				
	10 OVER 30 UNDER	±0.25	CHECKED BY S. KUNISHI	DATE '99/07/26	MOLEX INCORPORATED				
	30 OVER	±0.3	APPROVED BY M. FUKUSHIMA	DATE '99/07/26					
DESCRIPTION ANGULAR ±3 ° DRAFT WHERE APPLICABLE MUST REMAIN WITHIN DIMENSIONS	MATERIAL NO. SEE TABLE		DOCUMENT NO. SD-52103-001		SHEET NO. 2 OF 2				
REV	SIZE A3	THIS DRAWING CONTAINS INFORMATION THAT IS PROPRIETARY TO MOLEX INCORPORATED AND SHOULD NOT BE USED WITHOUT WRITTEN PERMISSION							



基板取付穴及びパターン推奨寸法 (参考)  
 (推奨基板厚: t=0.8)  
 RECOMMENDED DIM. FOR P.C.BOARD MOUNTING HOLES AND PATTERN (RECOMMENDED THK OF P.C.BOARD t=0.8)  
 適合FPC推奨寸法  
 RECOMMENDED APPLICABLE FPC LAYOUT (6.9)

31.2	29	34.7	52103-3017	30
27.2	25	30.7	-2617	26
23.2	21	26.7	-2217	22
16.2	14	19.7	-1517	15
15.2	13	18.7	-1417	14
11.2	9	14.7	-1017	10
8.2	6	11.7	-0717	7
4.2	2	7.7	52103-0417	4
C	B	A	MATERIAL NO.	CIRCUIT

注記) NOTES  
 △ 接点部までの嵌合長さ。 LENGTH TO CONTACT POINT.  
 2. 使用材料 MATERIAL  
 ハウジング: 46NYLON, UL94V-0  
 HOUSING: 46NYLON, UL94V-0  
 アクチュエータ: PPS, UL94V-0  
 ACTUATOR: PPS, UL94V-0  
 ターミナル: リン青銅, 錫メッキ (+0.32)  
 TERMINAL: PHOS-BRO, TIN-PLATED (+0.32)  
 金具: リン青銅, 錫メッキ (+0.25)  
 FITTING NAIL: PHOS-BRO, TIN-PLATED (+0.25)  
 △ 位置決め及びパターンはくり止め用具。  
 FITTING NAIL FOR POSITIONING AND BY WAY OF PREVENTION OF PEELING OFF PCB PATTERN.

REVISED EC NO: J2009-0795 DRWN: YOSHIDAM 2008/10/14 CHKD: THARUYAMA 2008/10/14 APPR: NUKITA 2008/10/15	GENERAL TOLERANCES (UNLESS SPECIFIED)		DIMENSION STYLE MM ONLY	SCALE 10:1	DESIGN UNITS METRIC	THIRD ANGLE PROJECTION
	10 UNDER	±0.2	DRAWN BY K. KOHAMA	DATE '00/04/04	TITLE 1.0 F.P.C. CONN. Z.I.F S.M.T.	
	10 OVER 30 UNDER	±0.25	CHECKED BY S. KUNISHI	DATE '00/04/04	MOLEX INCORPORATED	
	30 OVER	±0.3	APPROVED BY M. FUKUSHIMA	DATE '00/04/04	DOCUMENT NO. SD-52103-003	SHEET NO. 1 OF 1
ANGULAR ±3 °	DRAFT WHERE APPLICABLE MUST REMAIN WITHIN DIMENSIONS		SIZE A3	THIS DRAWING CONTAINS INFORMATION THAT IS PROPRIETARY TO MOLEX INCORPORATED AND SHOULD NOT BE USED WITHOUT WRITTEN PERMISSION		