

PLEASE CHECK WWW.MOLEX.COM FOR LATEST PART INFORMATION

Part Number: [0836129203](#)
Status: **Active**
Overview: Commercial Micro-D High-Density Connectors
Description: 1.27mm Pitch Commercial Micro D, PCB Mount, Right Angle Plug, 15 Circuits

Documents:

[3D Model](#) [Product Specification PS-83421-001-001 \(PDF\)](#)
[Drawing \(PDF\)](#) [RoHS Certificate of Compliance \(PDF\)](#)

General

Product Family	I/O Connectors
Series	83612
Application	Wire-to-Board
Comments	With Jack Posts Not Installed
Component Type	Plug
Overview	Commercial Micro-D High-Density Connectors
Product Name	Commercial Micro-D
Type	N/A
UPC	822348046447

Physical

Boot Color	N/A
Circuits (Loaded)	15
Circuits (maximum)	15
Durability (mating cycles max)	500
Gender	Plug
Lock to Mating Part	Yes
Material - Plating Mating	Gold
Number of Rows	2
Orientation	Right Angle
PC Tail Length	2.79mm
PCB Locator	Yes
PCB Retention	Yes
PCB Thickness - Recommended	1.52mm
Packaging Type	Tube
Panel Mount	Yes
Pitch - Mating Interface	1.27mm
Pitch - Termination Interface	1.27mm
Plating min - Mating	0.381µm
Polarized to Mating Part	Yes
Polarized to PCB	Yes
Ports	1
Surface Mount Compatible (SMC)	No
Temperature Range - Operating	-40°C to +125°C
Termination Interface: Style	Through Hole
Waterproof / Dustproof	No
Wire Size AWG	N/A

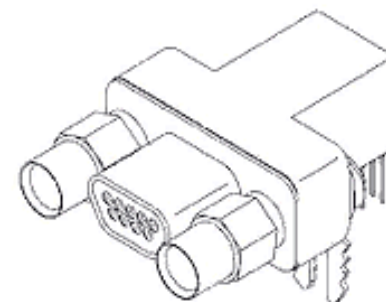
Electrical

Current - Maximum per Contact	1.0A
Shield Type	Full Shield
Shielded	Yes
Voltage - Maximum	350V AC

Material Info

Reference - Drawing Numbers

Product Specification	PS-83421-001-001
-----------------------	------------------



Series image - Reference only

EU ELV

Not Relevant

EU RoHS

Compliant

REACH SVHC

Not Contained Per
-ED/01/2018 (15
January 2018)

Halogen-Free

Status

Low-Halogen

Need more information on product environmental compliance?

Email productcompliance@molex.com
Please visit the [Contact Us](#) section for any non-product compliance questions.

China ROHS	Green Image
ELV	Not Relevant
RoHS Phthalates	Not Contained

Search Parts in this Series

[83612](#) Series

Mates With

[83422](#) Cable Assembly

This document was generated on 07/11/2018

PLEASE CHECK WWW.MOLEX.COM FOR LATEST PART INFORMATION