

## Product data sheet

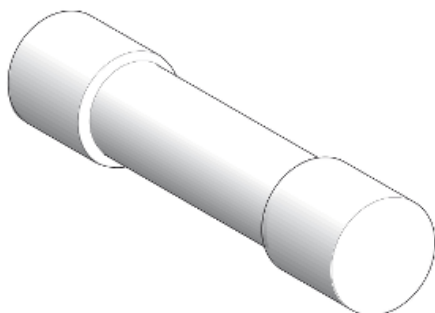
### Characteristics

# XUZE06

fuse cartridge 5 x 20 - fast blow 0.63 A - without indication

Product availability : Non-Stock - Not normally stocked in distribution facility

Price\* : 7.00 USD



### Main

Range of product	OsiSense XU
Accessory / separate part category	Fuses
Accessory / separate part type	Fast blow fuse
Accessory / separate part designation	Cartridge fuse
Accessory / separate part destination	Unprotected 2-wire AC/DC sensor
Sale per indivisible quantity	10

### Complementary

Product compatibility	XS XT
Line Rated Current	0.63 A
Fuse size	5 x 20 mm
Fuse curve	Fast blow
Local signalling	Without
Product weight	0 lb(US) (0.001 kg)

### Ordering and shipping details

Category	22499 - SENSORS ACCESSORIES
Discount Schedule	DS2
GTIN	00785901988625
Nbr. of units in pkg.	10
Package weight(Lbs)	0.01
Returnability	N
Country of origin	FR

### Offer Sustainability

RoHS (date code: YYWW)	Will not be compliant Will not be compliant
REACH	Reference not containing SVHC above the threshold

Reference not containing SVHC above the threshold

---

### Contractual warranty

---

Warranty period	18 months
-----------------	-----------

---