



## Main

Accessory / separate part category	Cabling accessory
Accessory / separate part type	Jumper cable

## Complementary

Jumper cable end 1	M12 male, :4 pins (straight), fixing: screw-on
Jumper cable end 2	M8 female, :4 pins (elbowed), fixing: screw-on
Cable composition	4 x 0.34 mm <sup>2</sup>
Cable length	2 m
Wire insulation material	PUR
Cable outer diameter	5.2 mm
[Ue] rated operational voltage	60 V AC 75 V DC
[In] rated current	4 A
Insulation resistance	>= 1000 MOhm
Resistance across terminals	<= 5000 mOhm
Product weight	0.09 kg

## Environment

IP degree of protection	IP65 IP69K IP67
Product certifications	CULus
Ambient air temperature for operation	-35...90 °C (static) -5...90 °C (flexing)
Ambient air temperature for storage	-35...100 °C

## Offer Sustainability

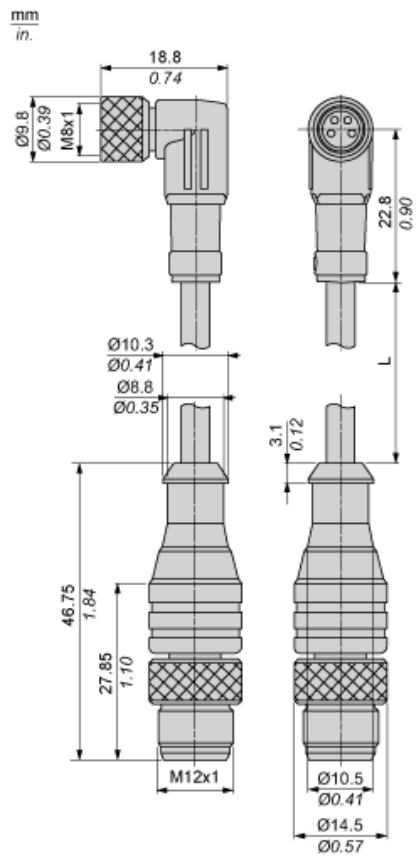
Sustainable offer status	Green Premium product
--------------------------	-----------------------

RoHS (date code: YYWW)	Compliant - since 0649 - Schneider Electric declaration of conformity <a href="#">Schneider Electric declaration of conformity</a>
REACH	Reference not containing SVHC above the threshold <a href="#">Reference not containing SVHC above the threshold</a>
Product environmental profile	Available <a href="#">Product environmental</a>
Product end of life instructions	Available <a href="#">End of life manual</a>

### Contractual warranty

Warranty period	18 months
-----------------	-----------

Dimensions



L : Length of cable

---

Connections and Schemes

---

